

# Mountain Top® Cargo Carrier

Installation manual



DOWNLOAD PDF



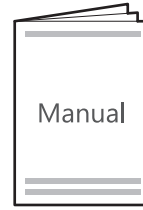
Parts

**A**



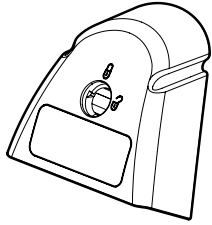
x 1

**B**



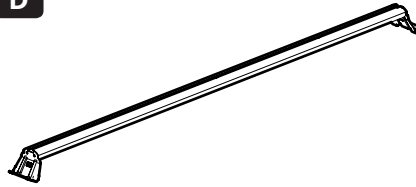
x 1

**C**



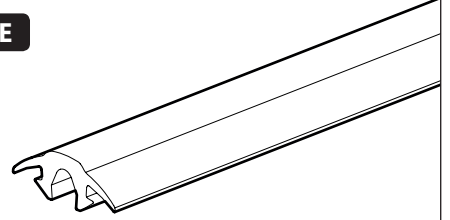
x 4

**D**



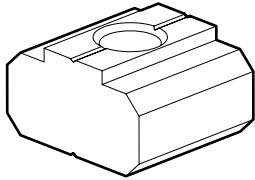
x 2

**E**



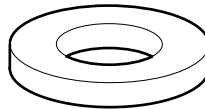
x 1

**F**



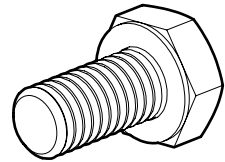
x 8

**G**



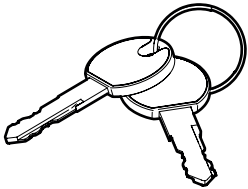
x 8

**H**



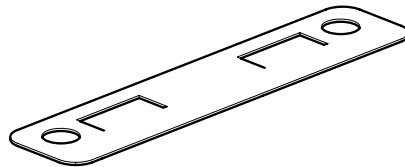
x 8

**I**



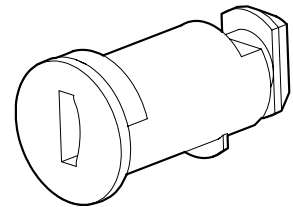
x 2

**J**



x 4

**K**

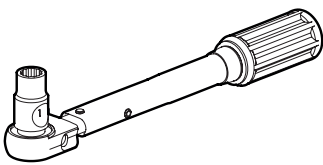


x 4



Tools and materials needed

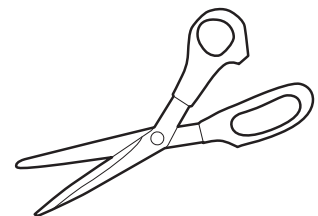
1 - 25 Nm

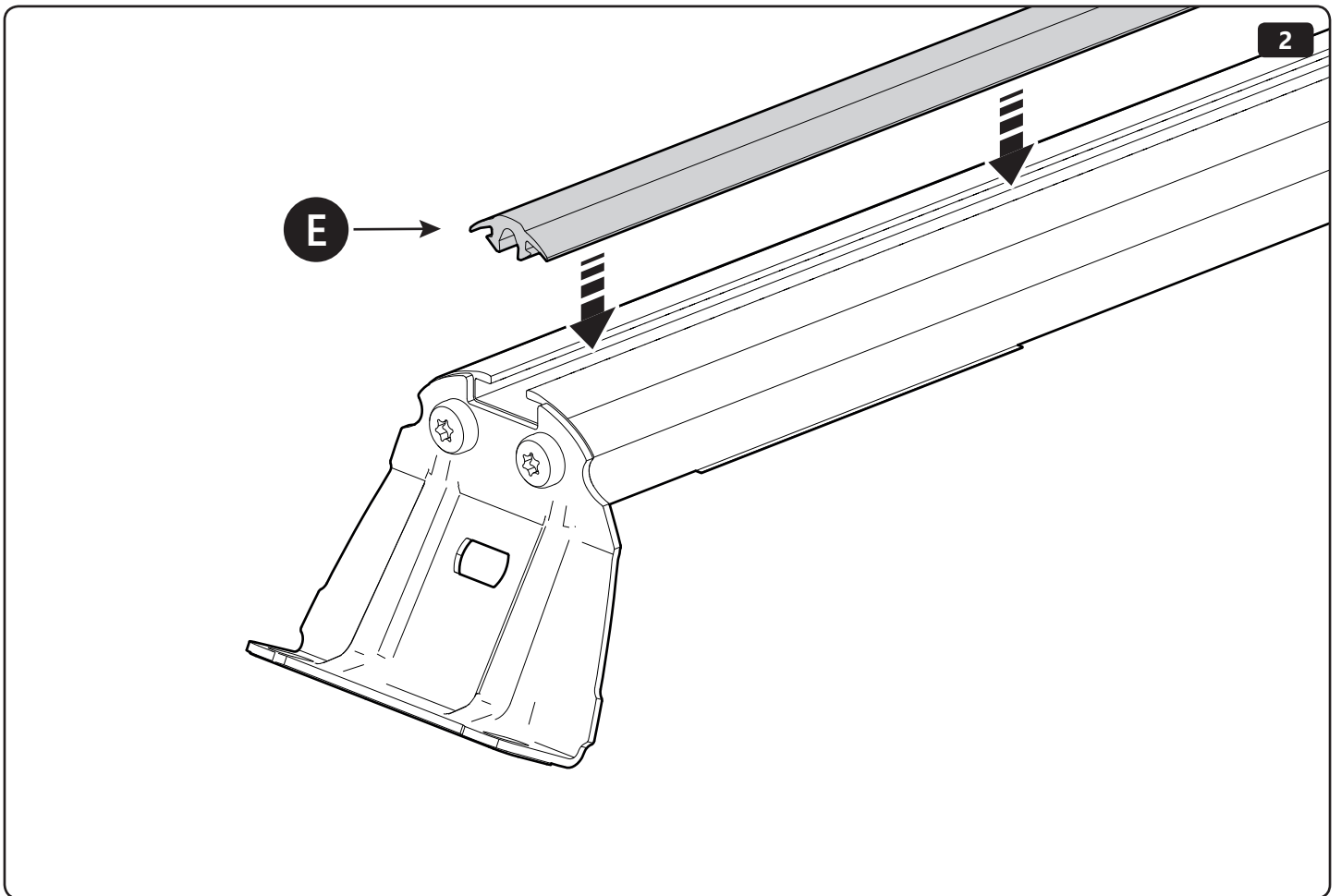
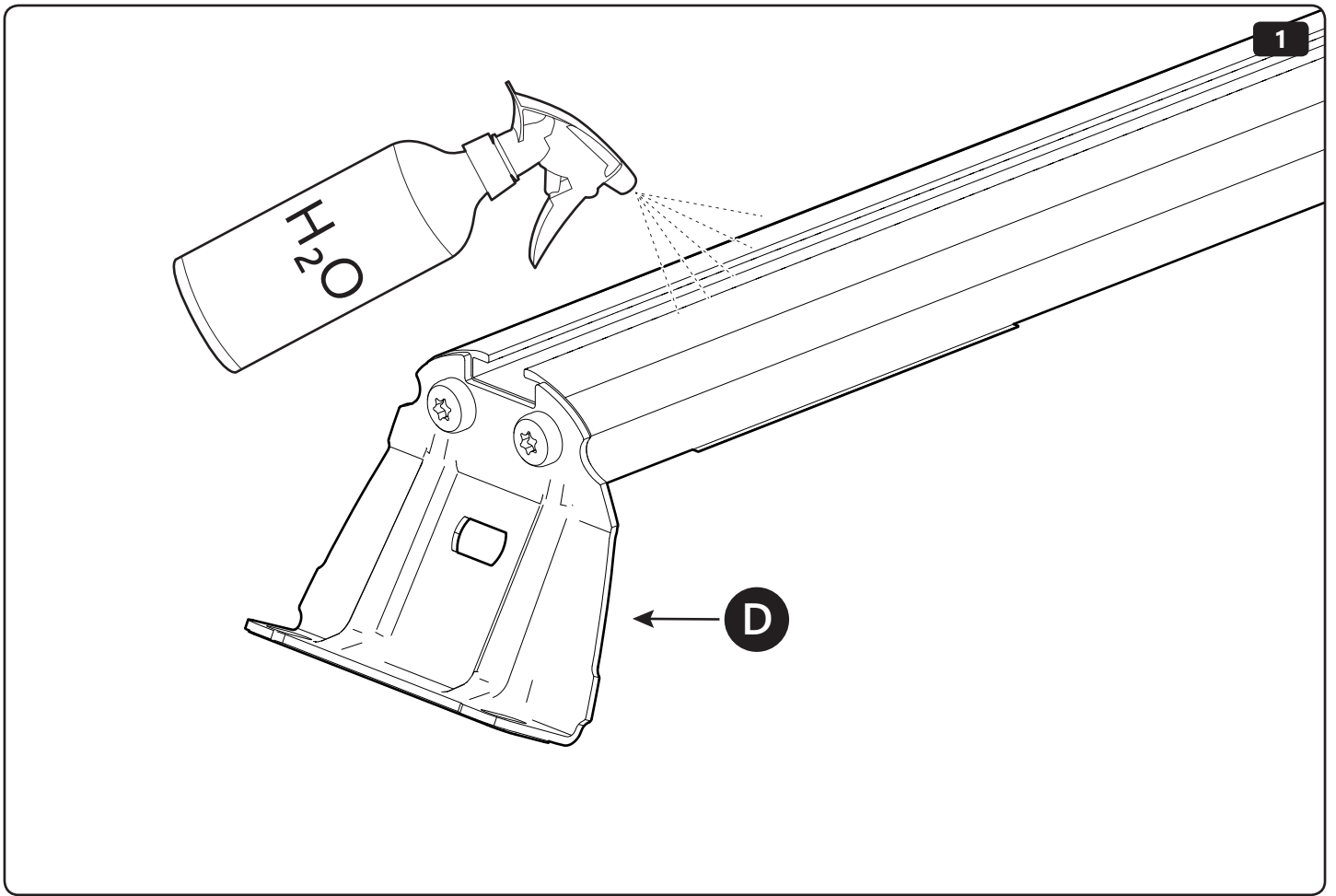


○ 10 mm

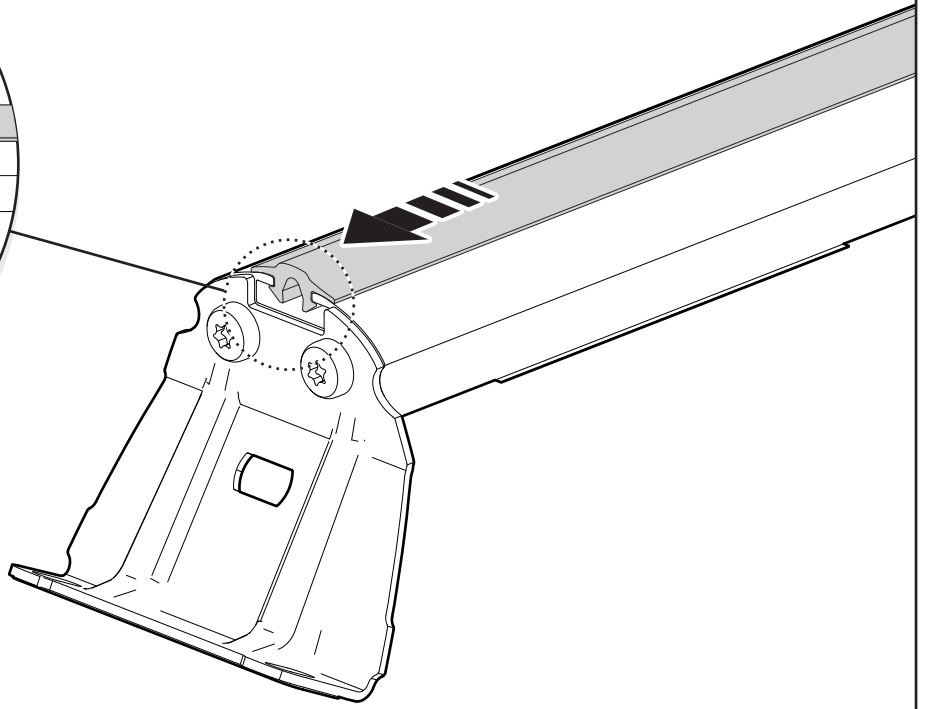
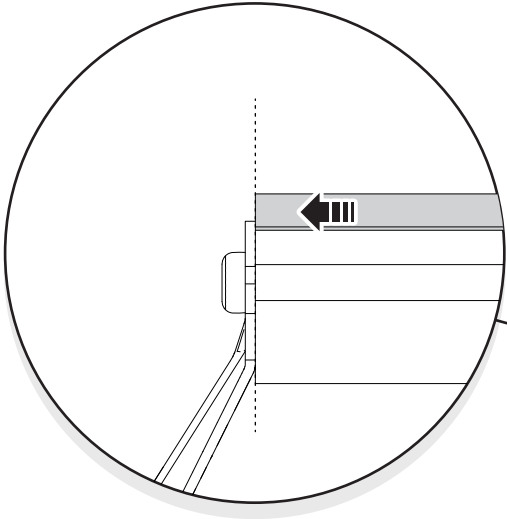


H<sub>2</sub>O



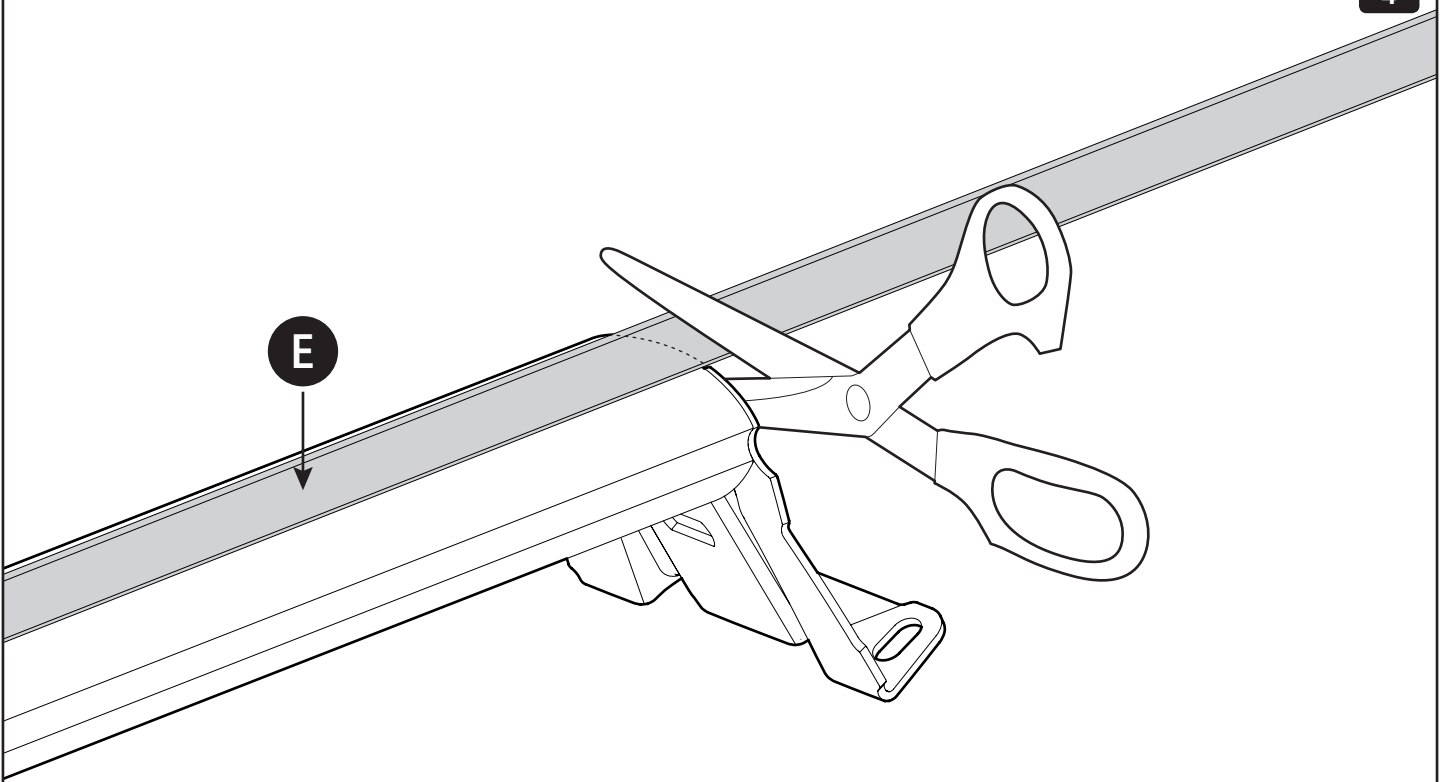


3



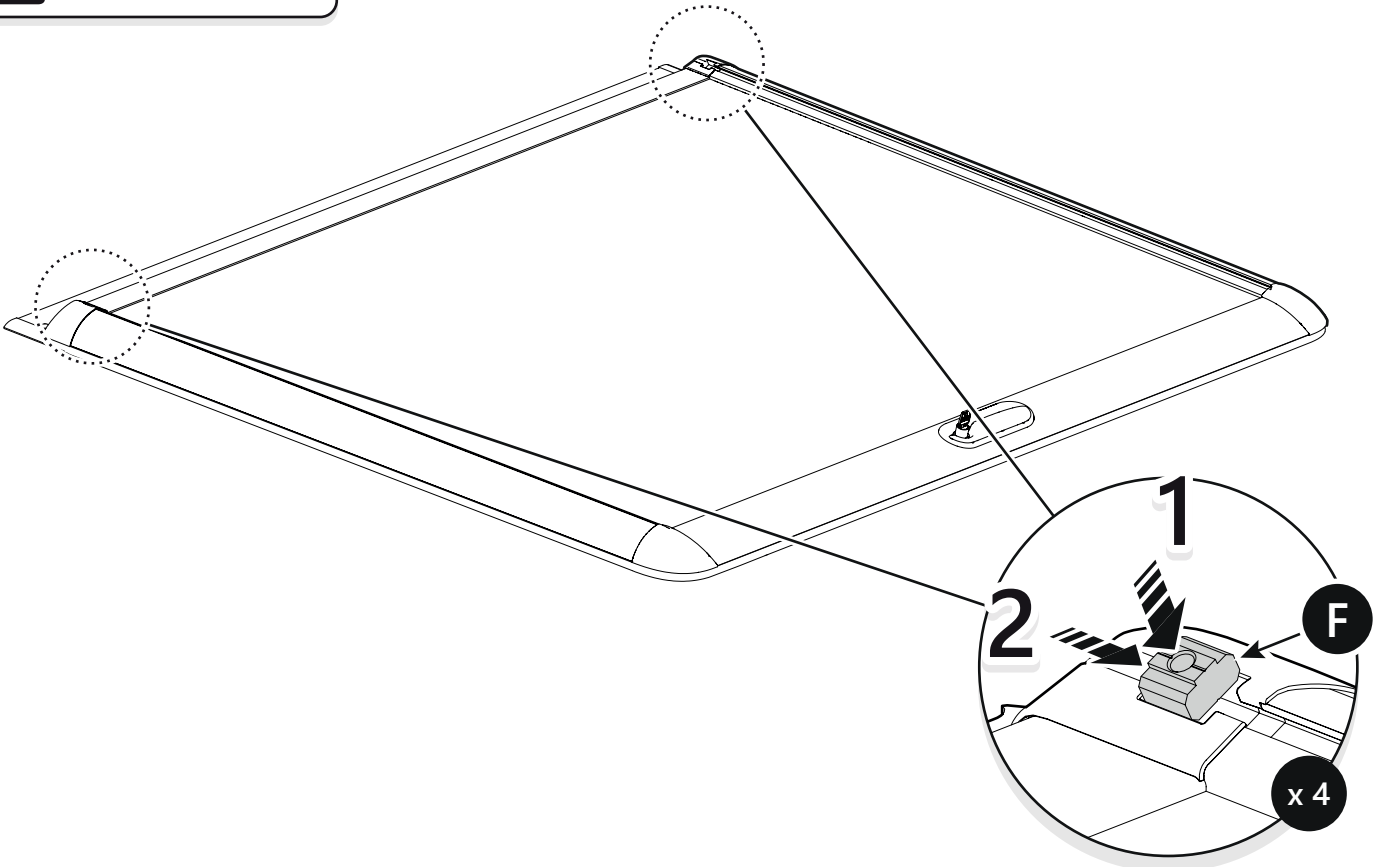
4

E



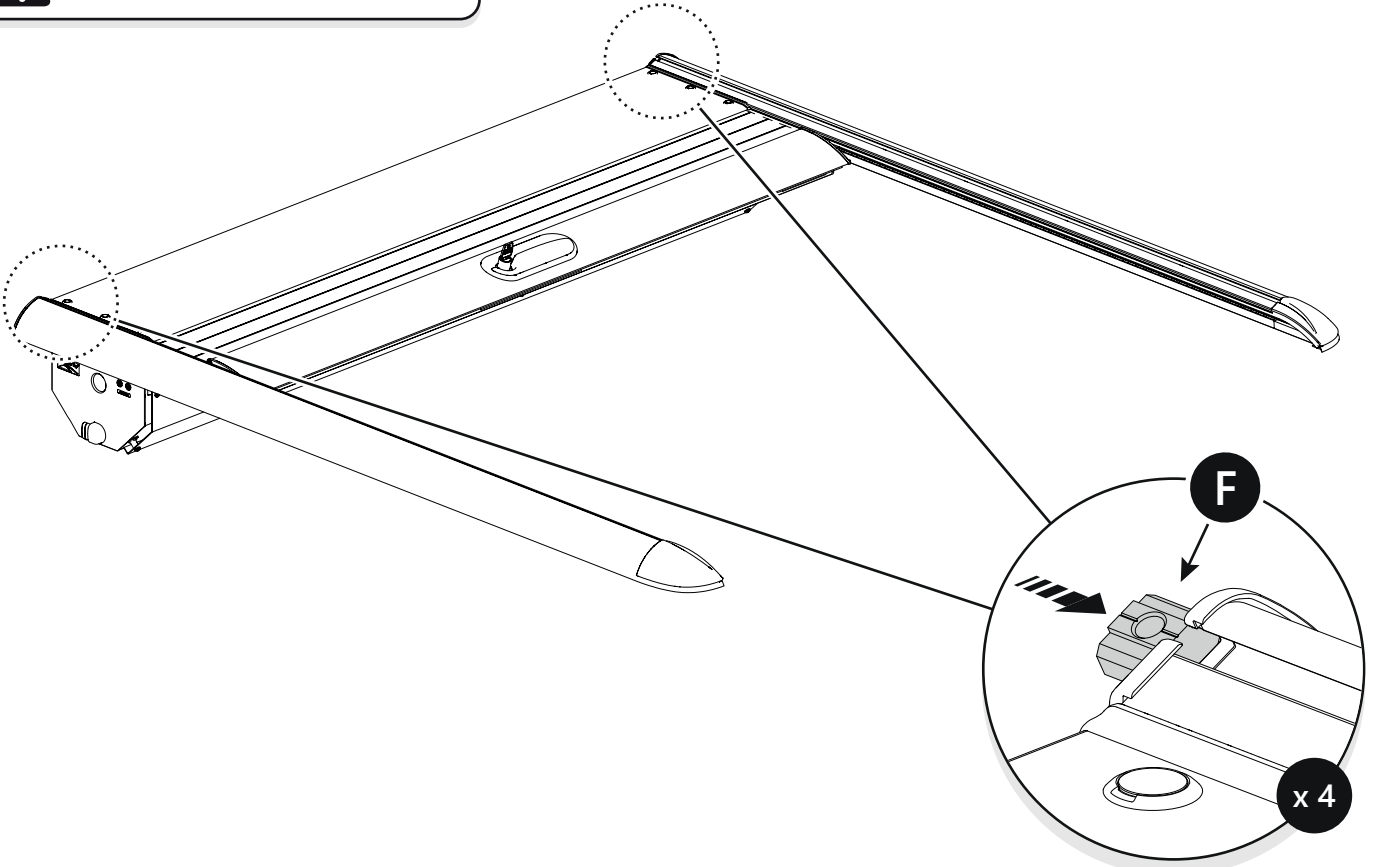
**!** Mountain Top Style

5.1

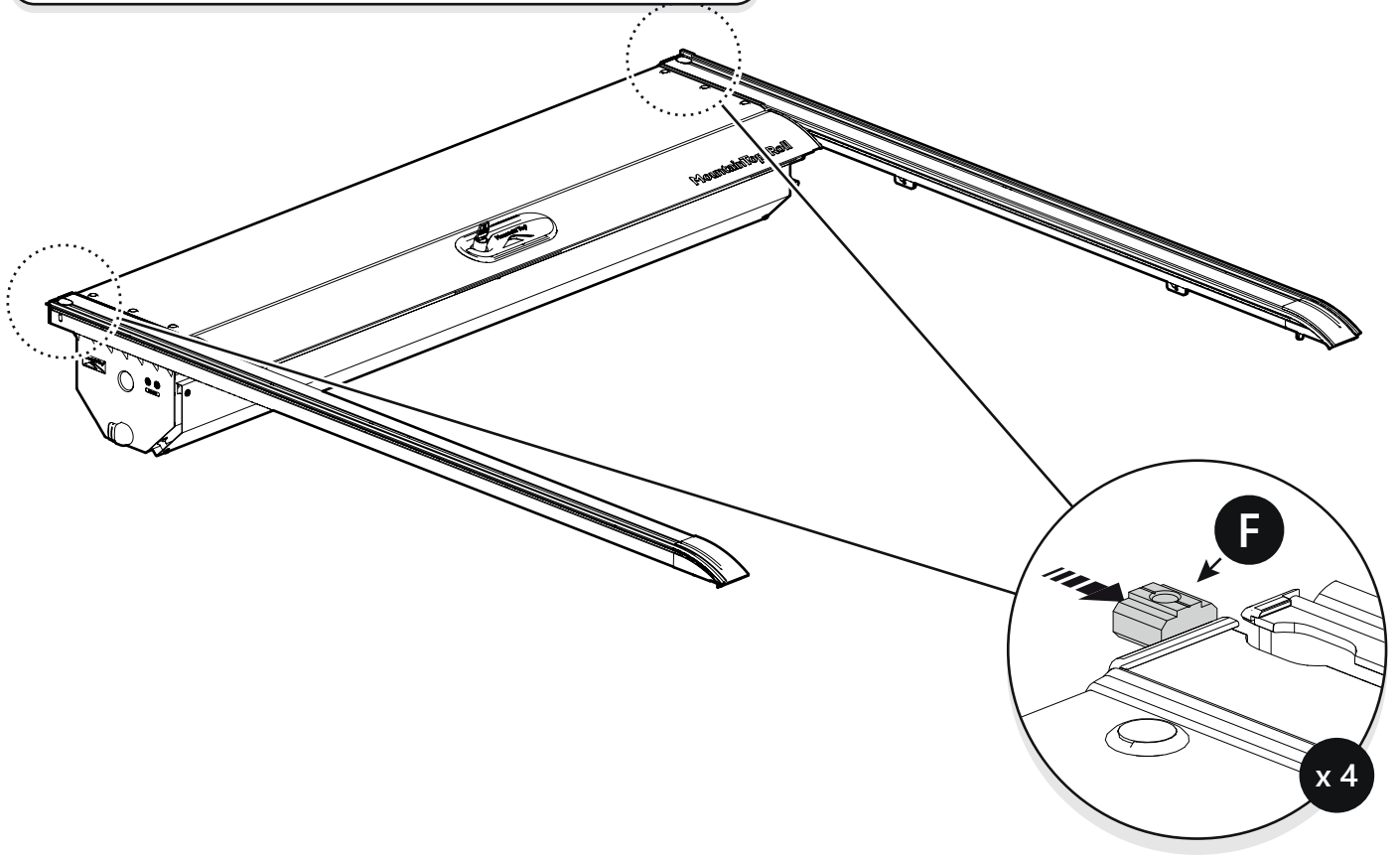


**!** Mountain Top Roll (Standard)

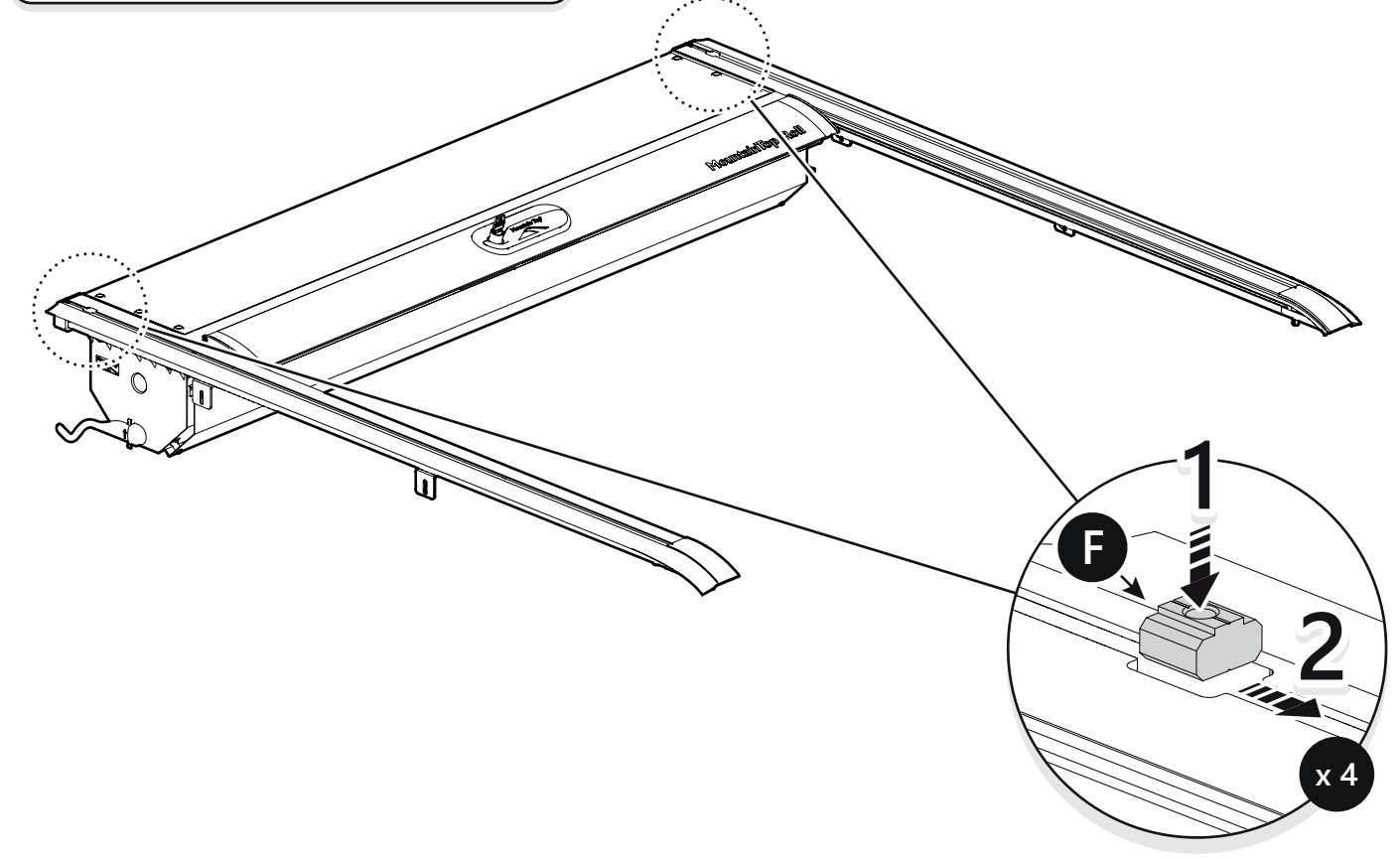
5.2



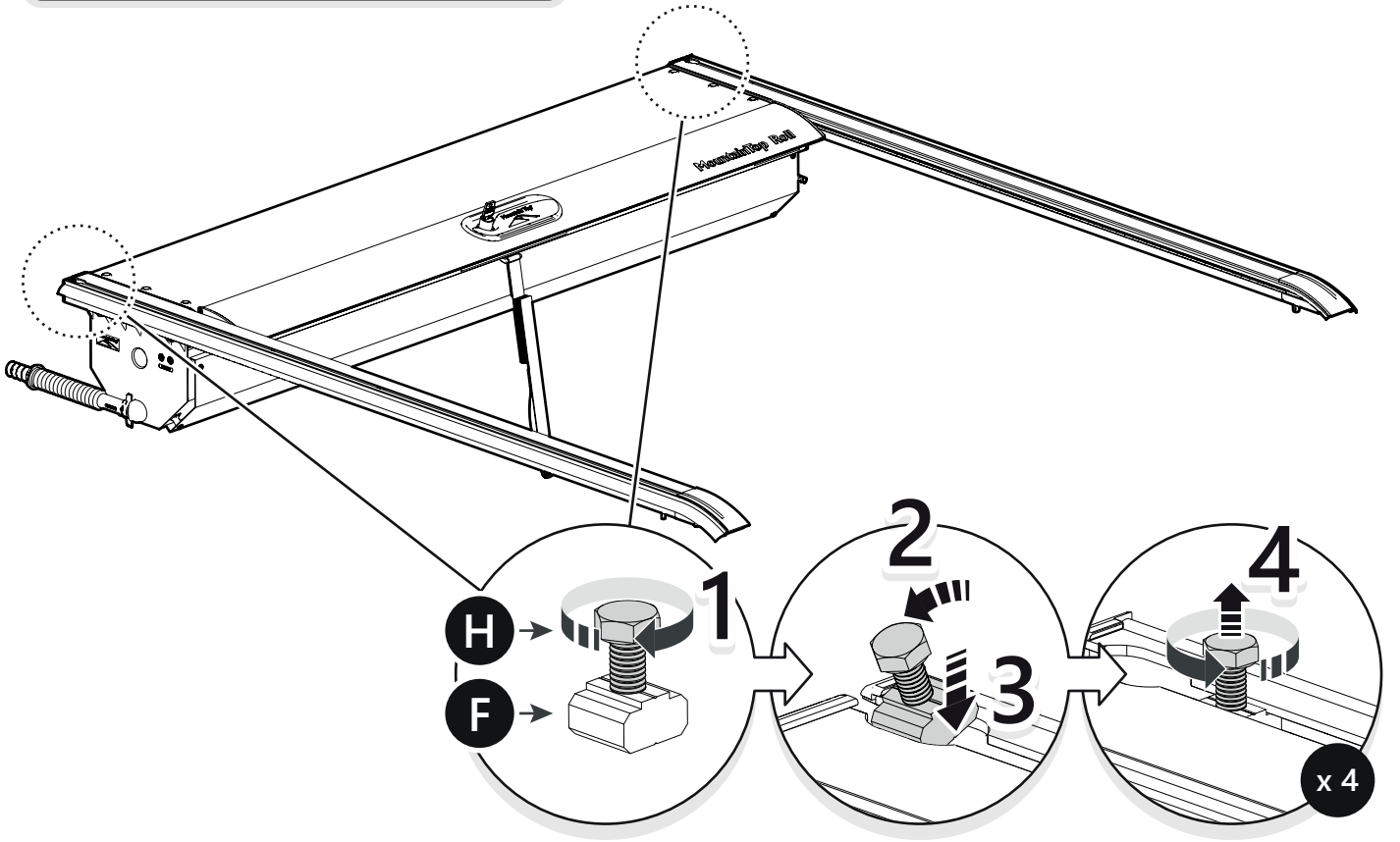
**!** Mountain Top Roll (Ford Wildtrak / VW Amarok)



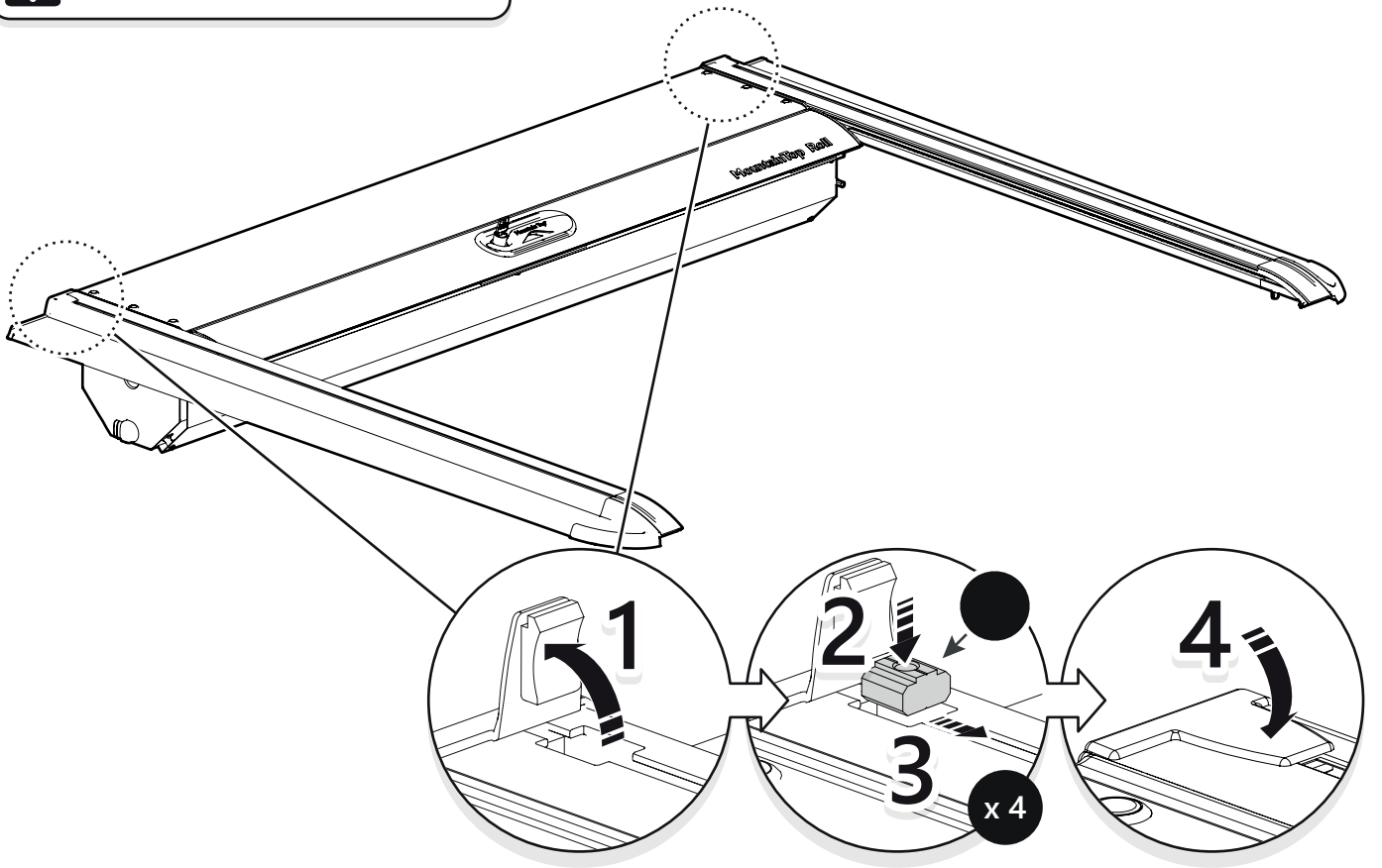
**!** Mountain Top Roll (Mitsubishi DC)



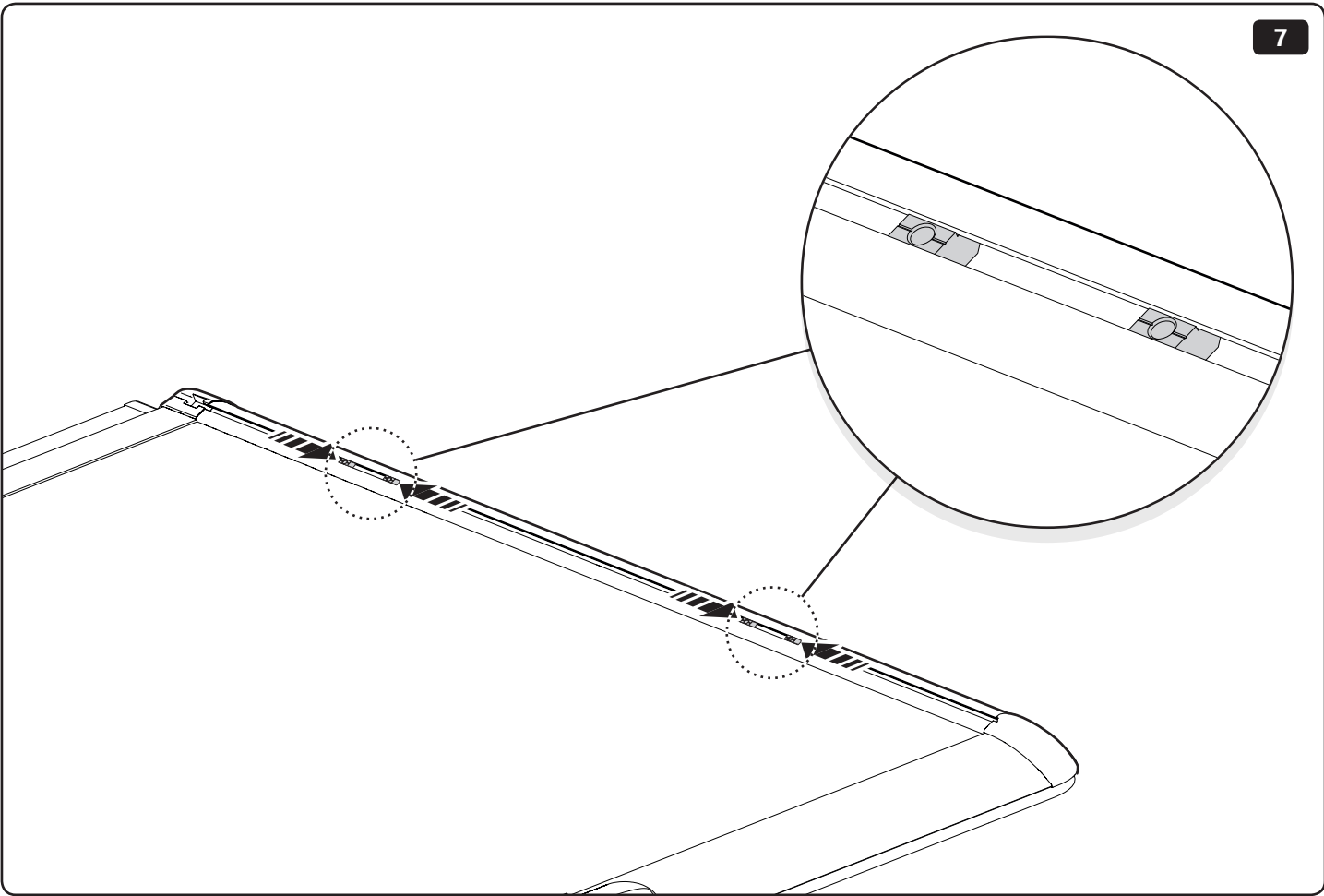
**!** Mountain Top Roll (VW Aventura)



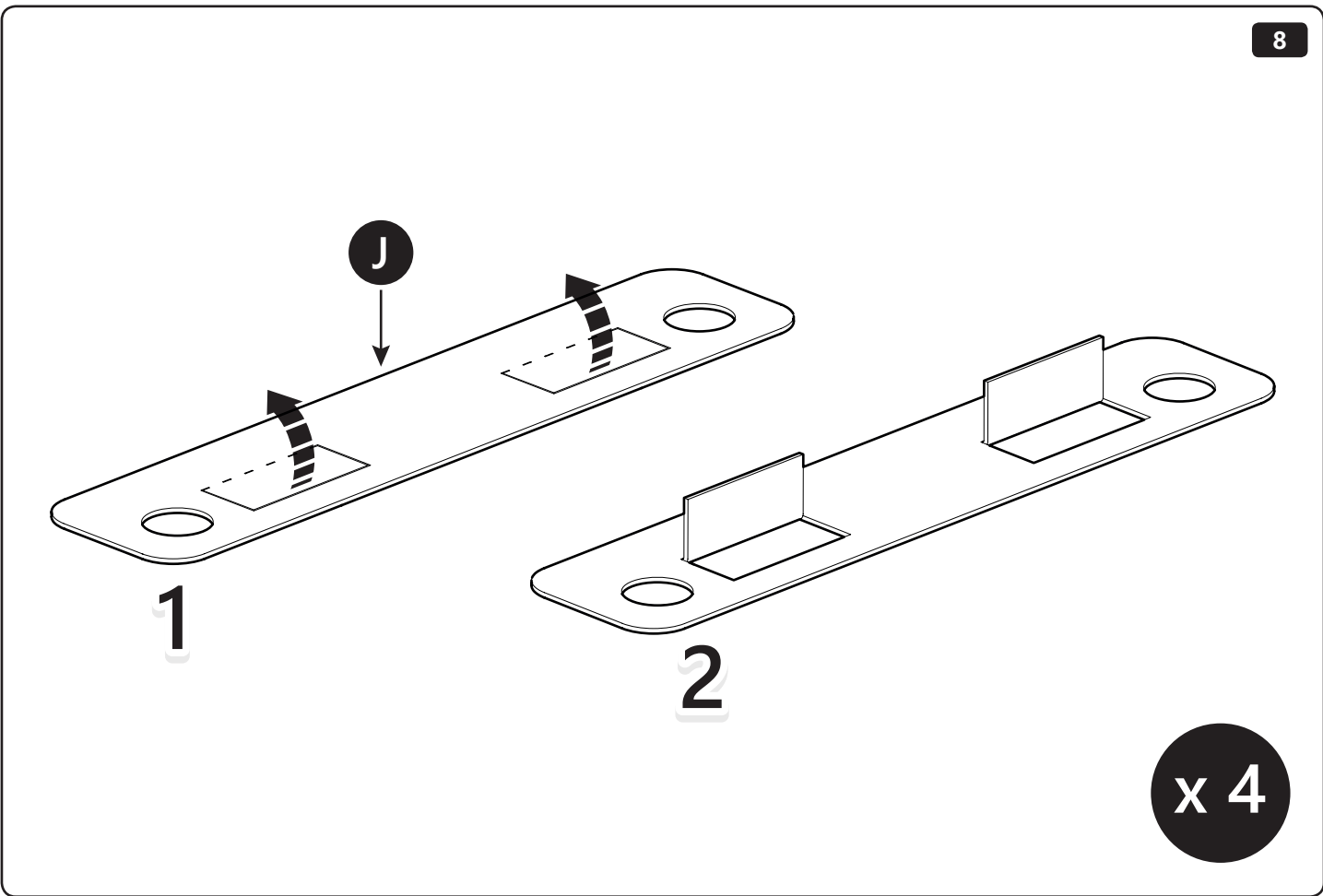
**!** Mountain Top Roll (Ssangyong)



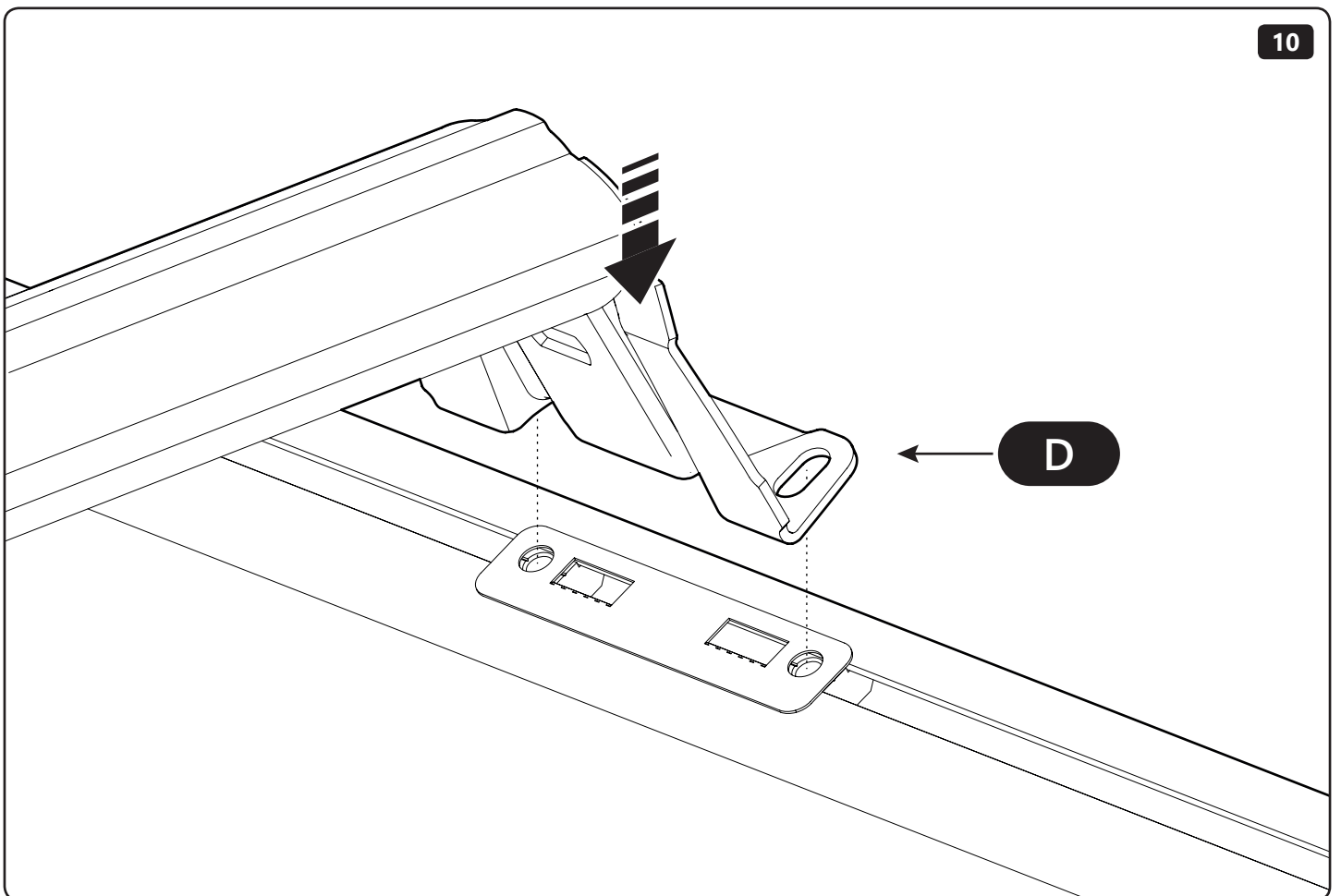
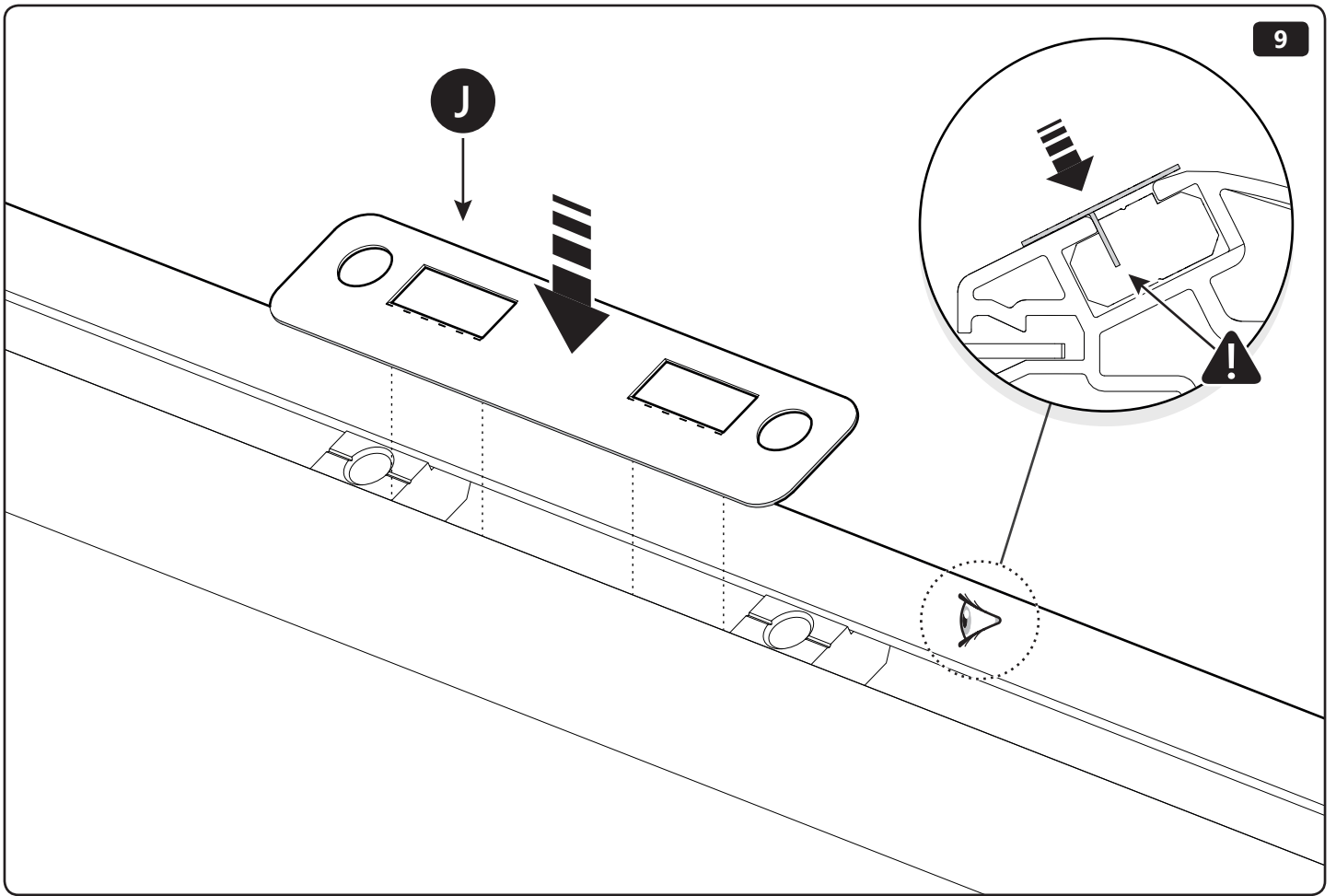
7

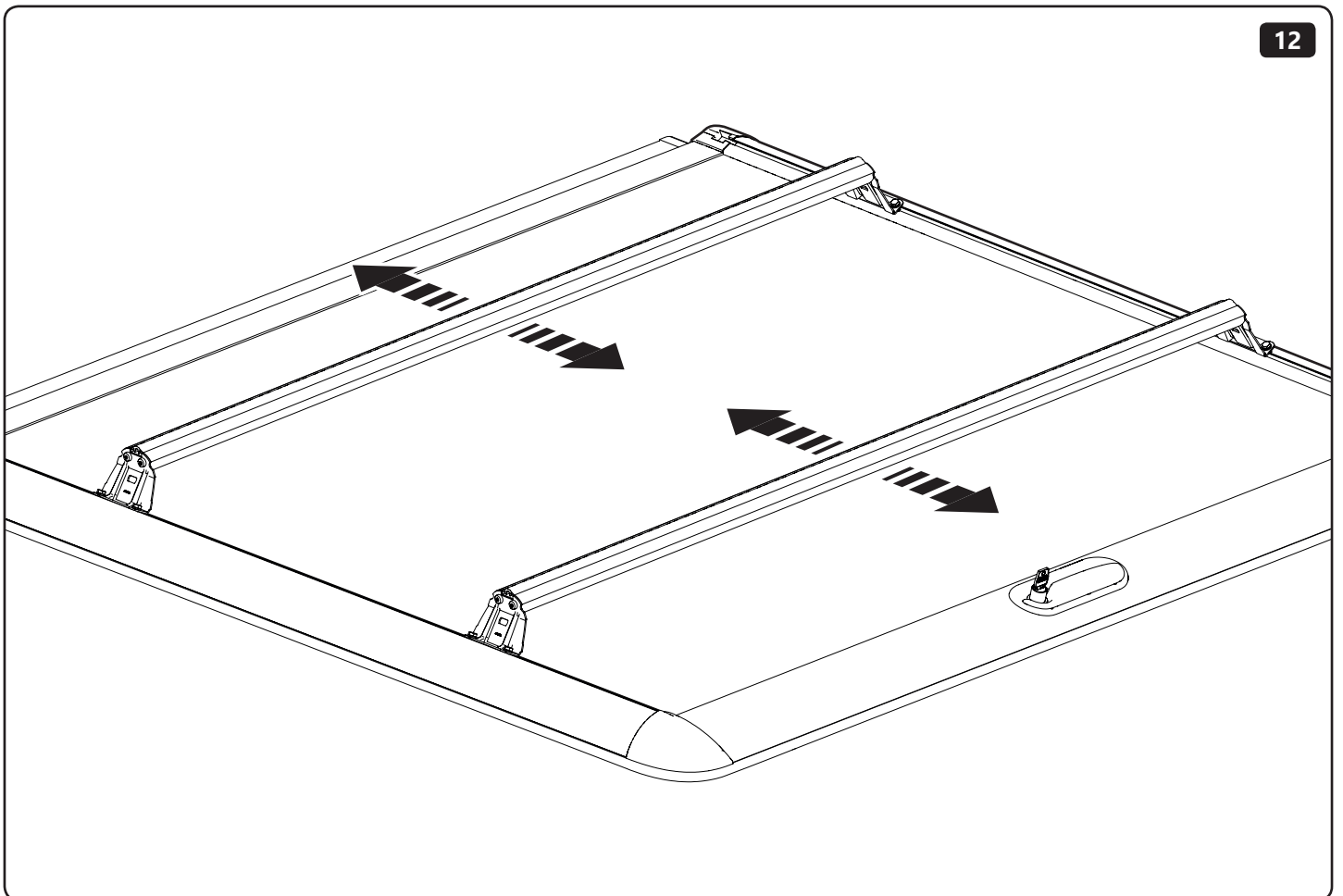
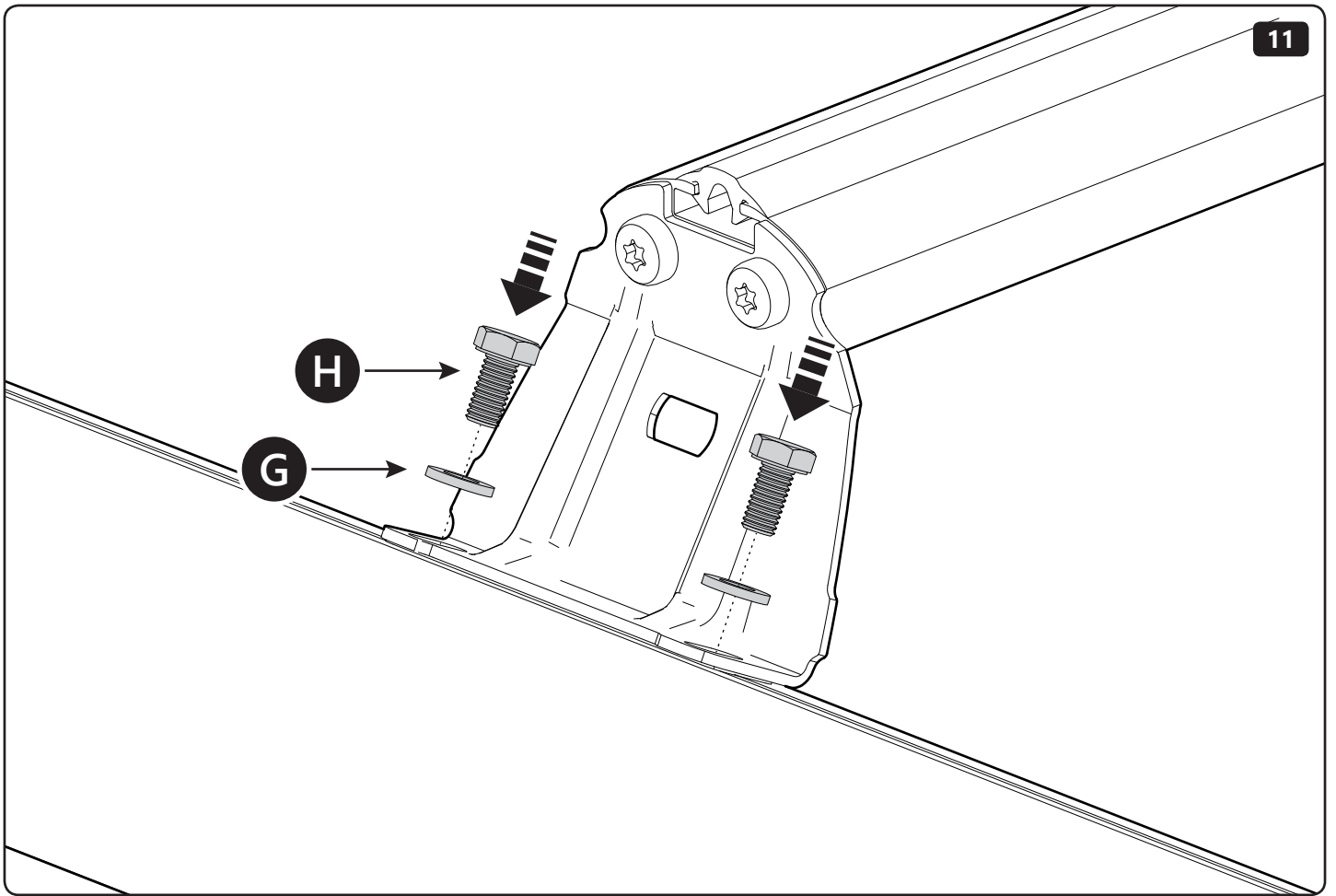


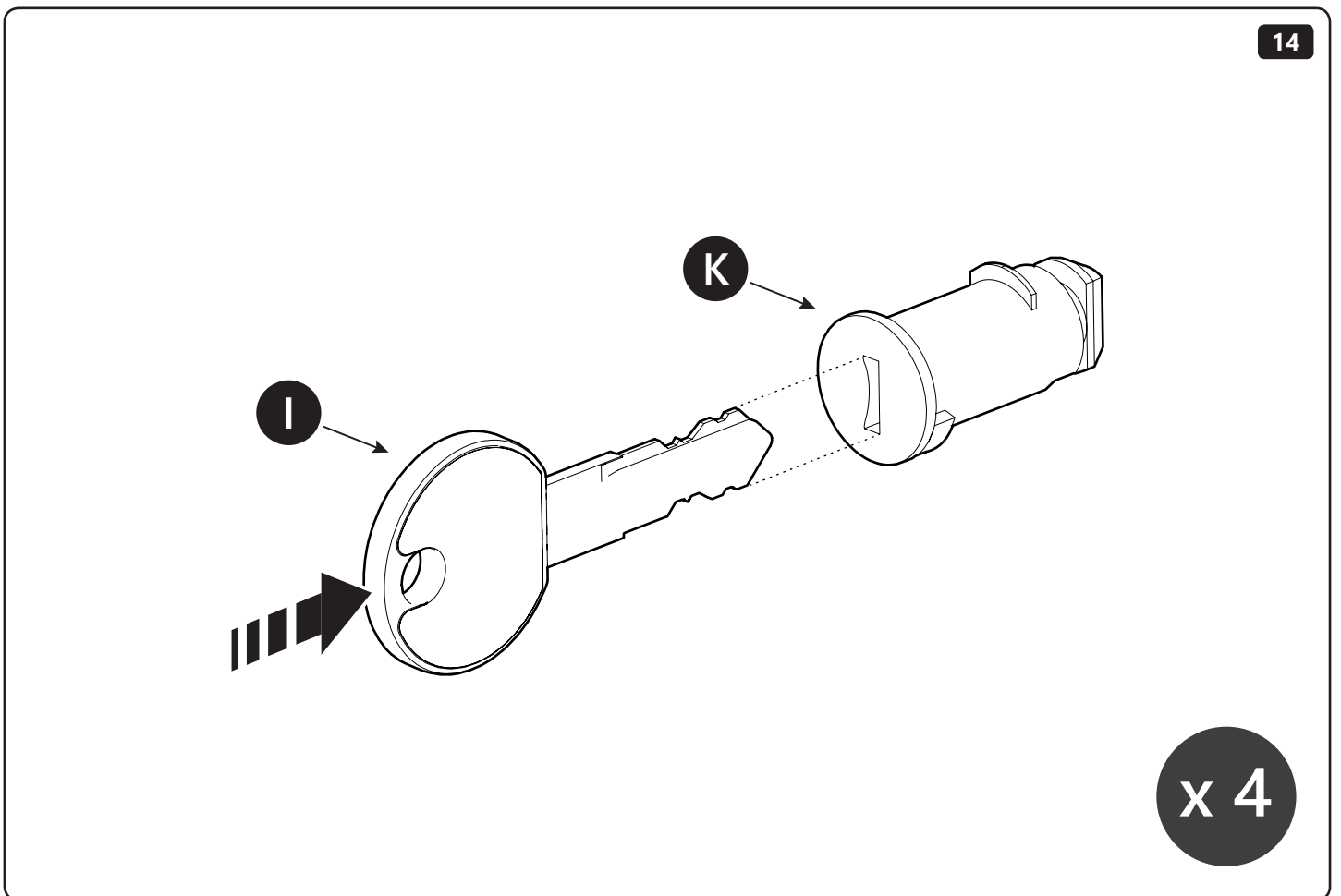
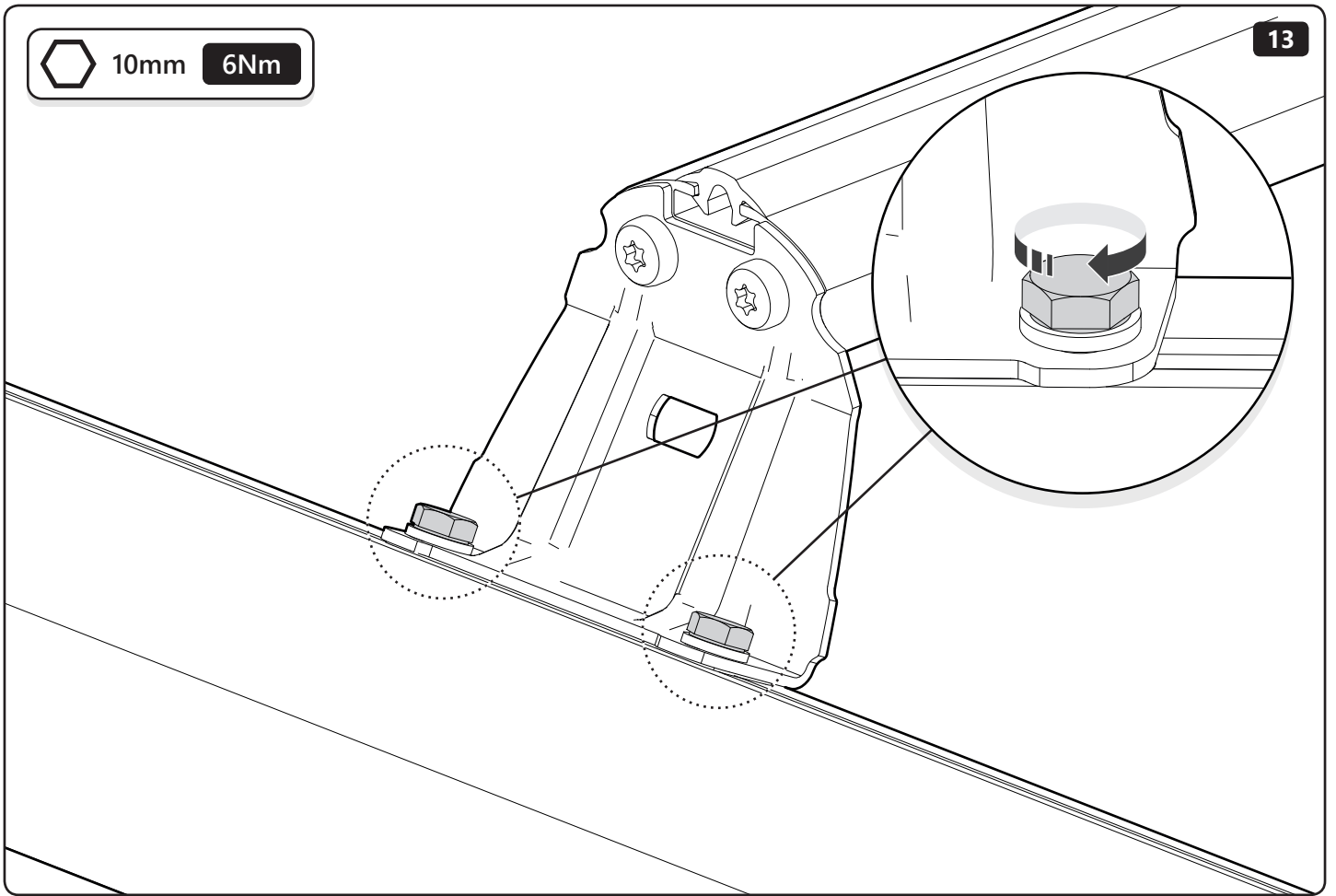
8

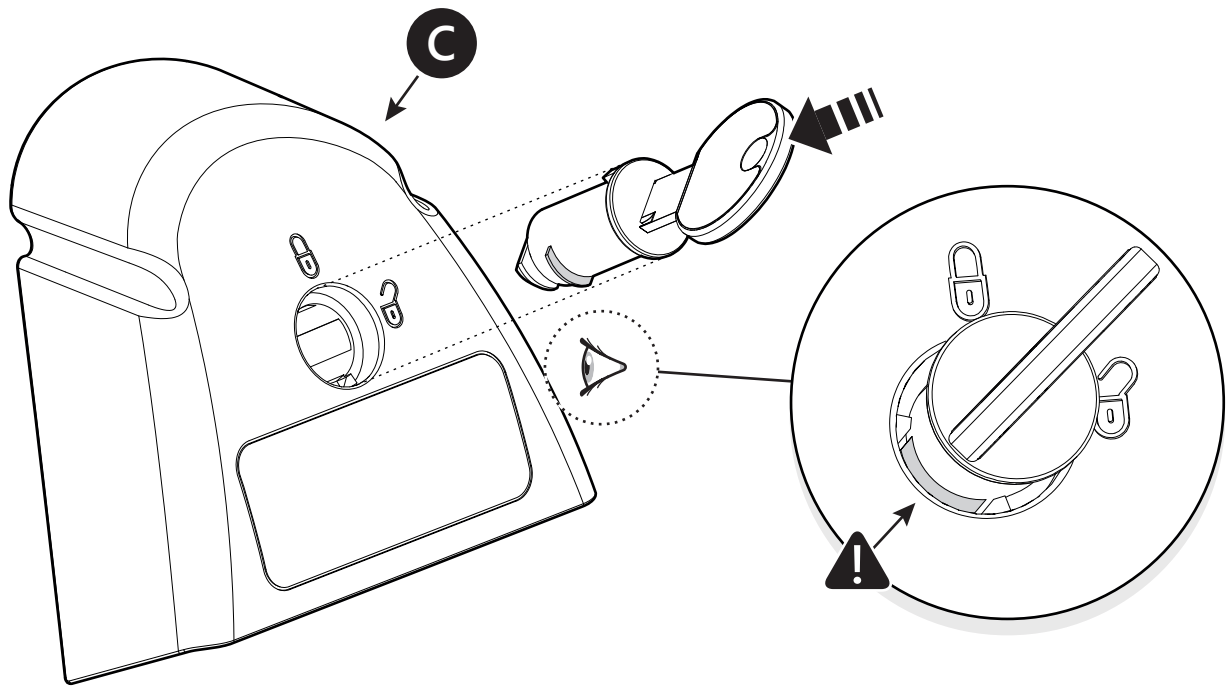




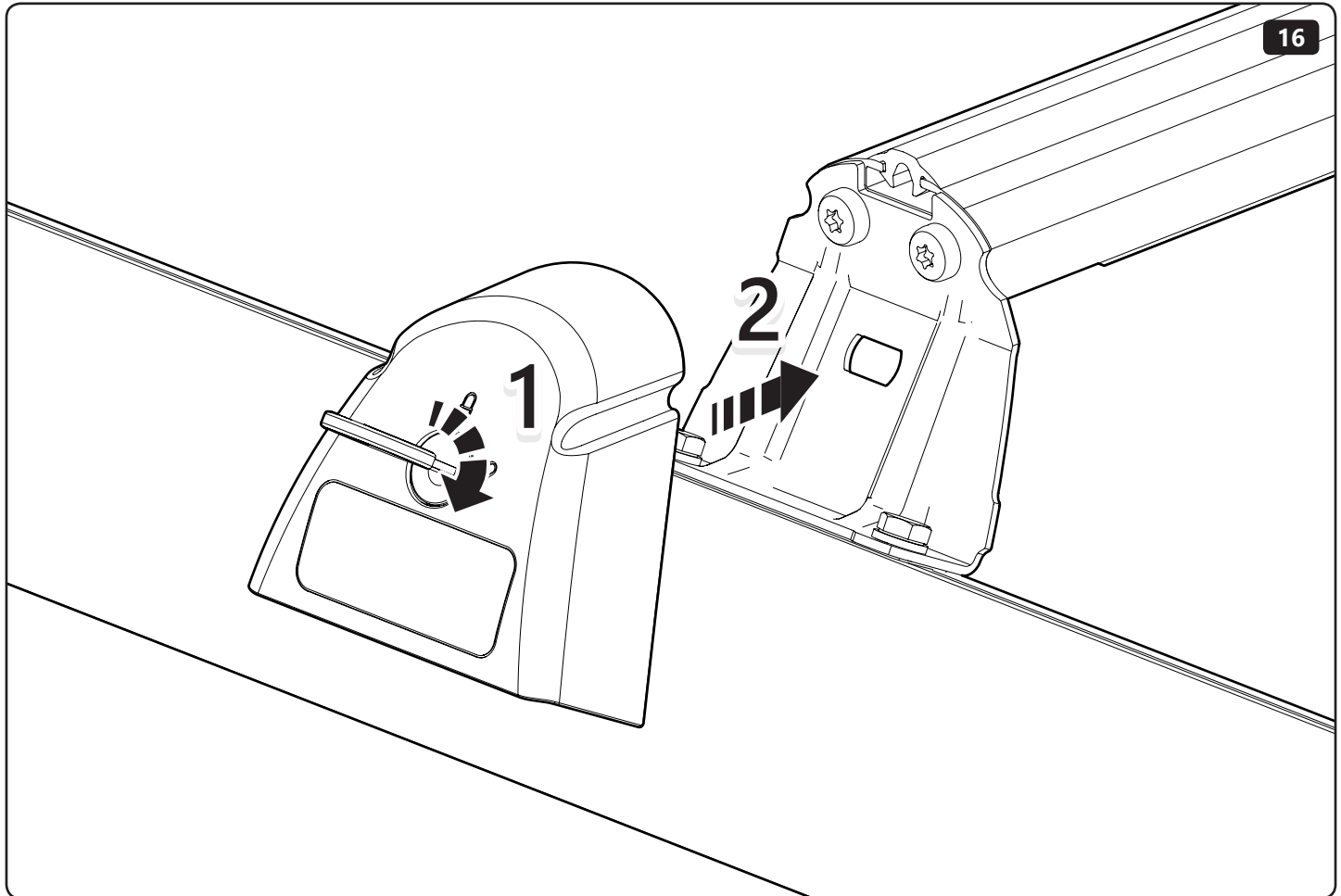


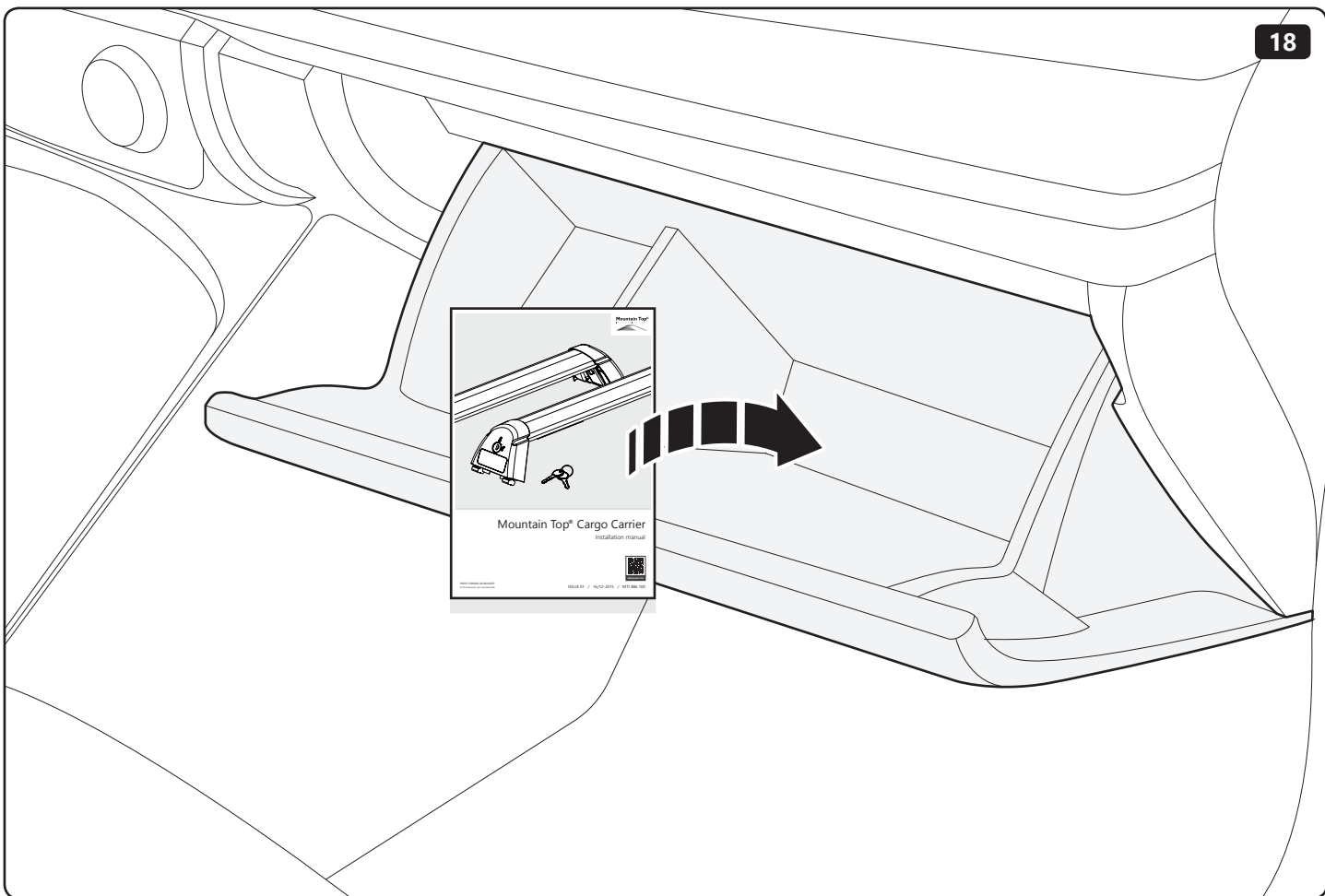
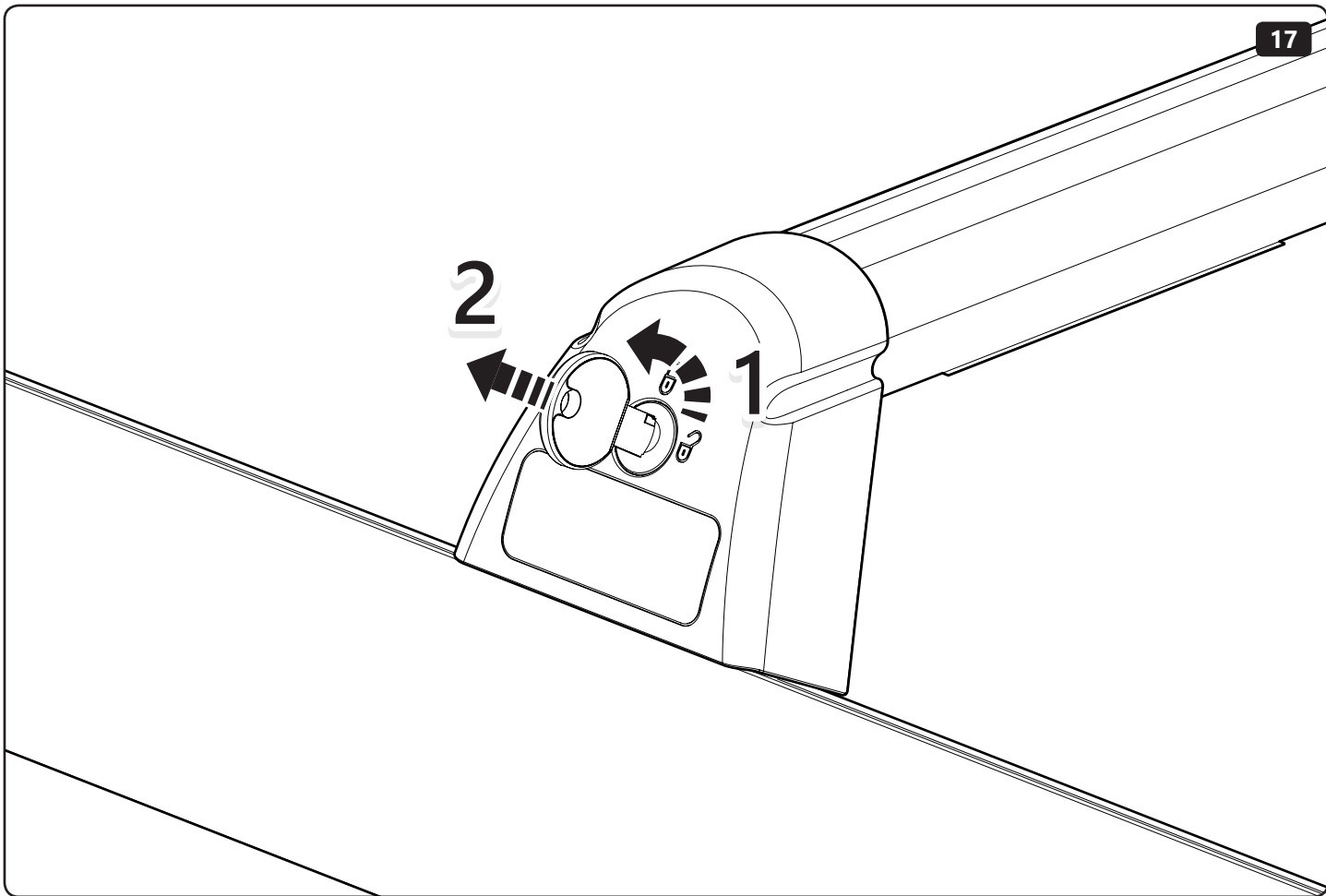


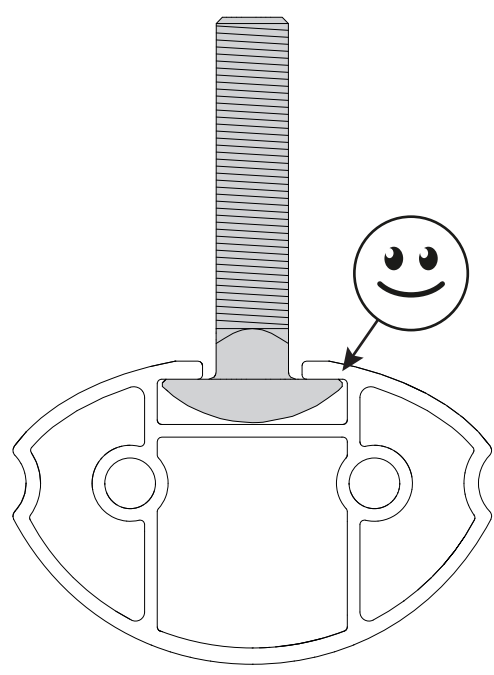
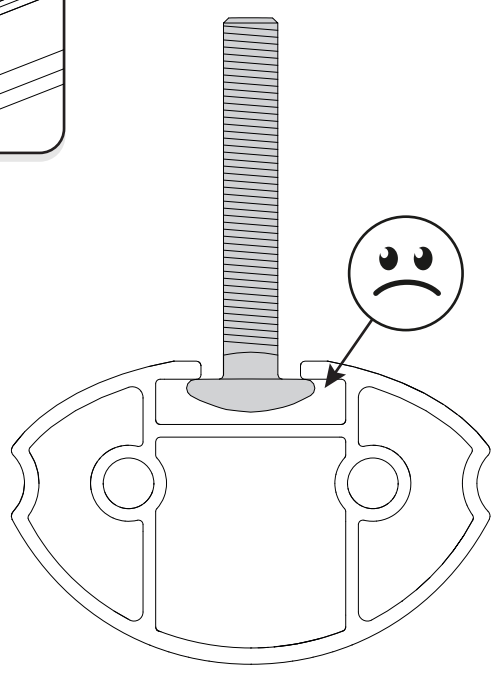
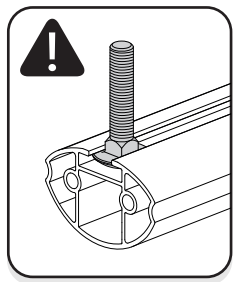
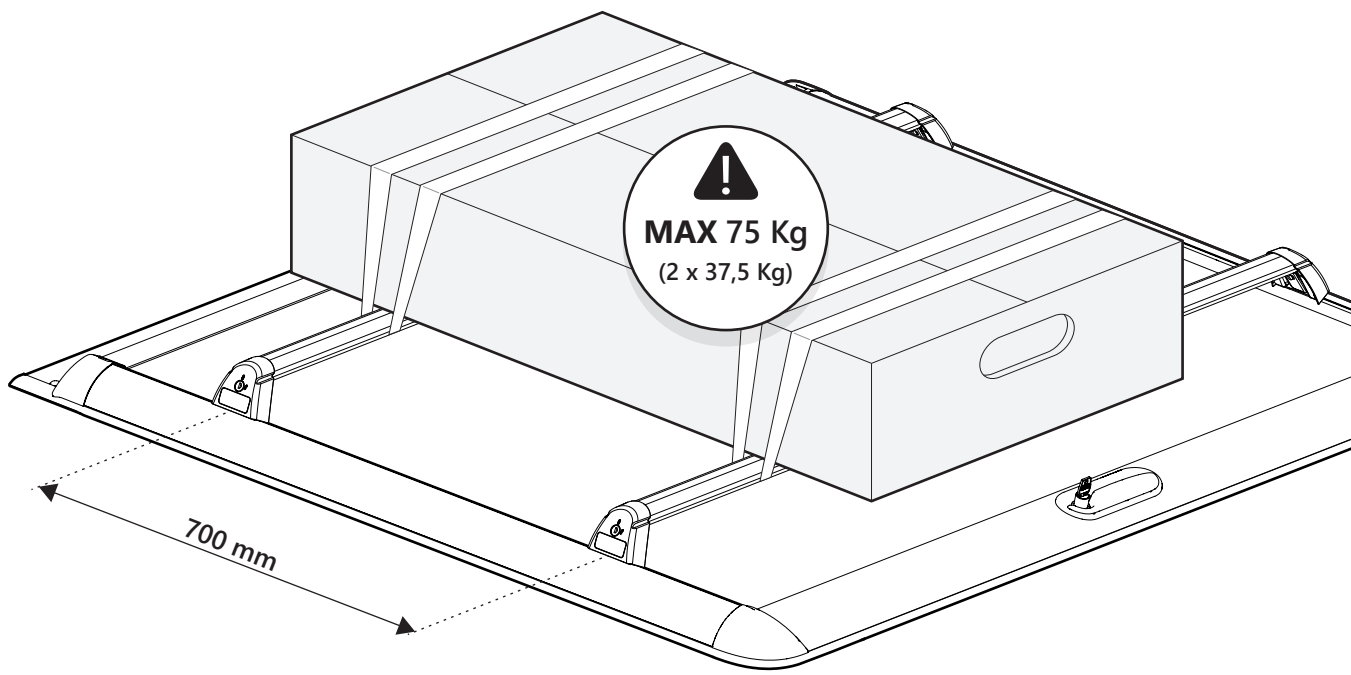


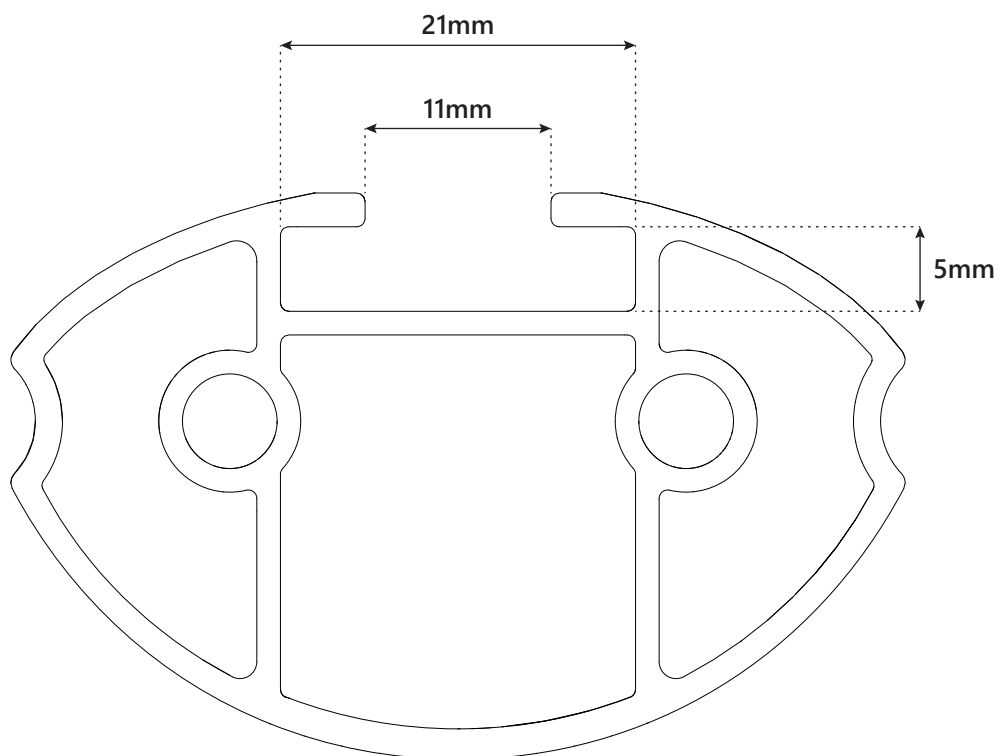
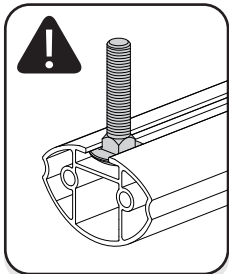


x 4











Customer Service	+45 4810 2950 (08:00 - 16:00 CET)
Fax	+45 4810 2960
Support	info@mountaintop.dk
Website	www.mountaintop.dk
Address	Pedersholmparken 10, 3600 Frederikssund, Denmark

**INSTALLATION TIME**

15 minute(s)

**WEIGHT**

5 Kg

**GB** Installation manual**SF** Asennusohje**F** Notice de montage**PL** Instrukcja montażu**NL** Installatie-instructies**TR** Montaj Talimatı**S** Monteringsanvisning**E** Instrucciones de montaje**H** Szerelési utasítás**P** Instruções de instalação**RUS** Инструкция по установке**N** Monteringsvejledning**D** Einbauanleitung**CZ** Návod k instalaci**I** Istruzioni de montaggio**GR** Οδηγίες Εγκατάστασης**DK** Monteringsvejledning**RO** Instructiuni de instalare