

# INSTALLATION MANUAL

UP-TO-DATE  
MANUAL

PRODUCT: MUFFLER SKID PLATE  
APPLICATION: INEOS GRENADIER (2023-PRESENT)  
PART NO: 2333.4507.1.6



## CAUTION!

To reduce the risk of serious injury or damage to property: Before you start installing and using this product, read the full instructions, pay special attention to the conditions of safe use and recommendations for installation! When installing or maintaining this product, it is necessary to use protective goggles. Check the integrity of the installed components and torque all hardware every 250 miles (400 kms). Discontinue use if there is any damage to the structure or fasteners!

## NOTICE

Skid plates are supplemental protection. We cannot guarantee protection against all possible damage from impacts. When driving, be careful of objects and terrain that may damage sensitive parts of the vehicle.

# MUFFLER SKID PLATE

---

Part number: 2333.4507.1.6

Suited to vehicle: Ineos Grenadier 3.0, 3.0D AT 4WD (2023-Present)

Material: Aluminum



## SAFETY NOTICE

---

- \* The RIVAL skid plate is designed to complement the use and design of the specified vehicle under conditions underlined by the vehicle manufacturer.
- \* While driving the vehicle at any speed, collision with another vehicle, animal or object must always be avoided.
- \* Following any collision with another vehicle, animal or object, the RIVAL skid plate and the vehicle must be inspected by a specialized or suitably qualified vehicle technician for possible damage to the components and assemblies in order to confirm suitability for further use of the vehicle.
- \* It is strongly recommended that you do not operate a vehicle with a damaged skid plate or its components. In the case of damage, please contact the nearest RIVAL dealer. A damaged vehicle or skid plate is extremely dangerous and should be avoided at all cost.

## INSTALLATION NOTICE

---

- \* The RIVAL skid plate must be mounted to the vehicle according to this installation manual.
- \* Personal safety during the installation process must be adhered to at all times.
- \* Do not install this skid plate on vehicle models other than those listed in this manual.
- \* Estimated time for installation: 1 hour.

## REQUIRED TOOLS

---

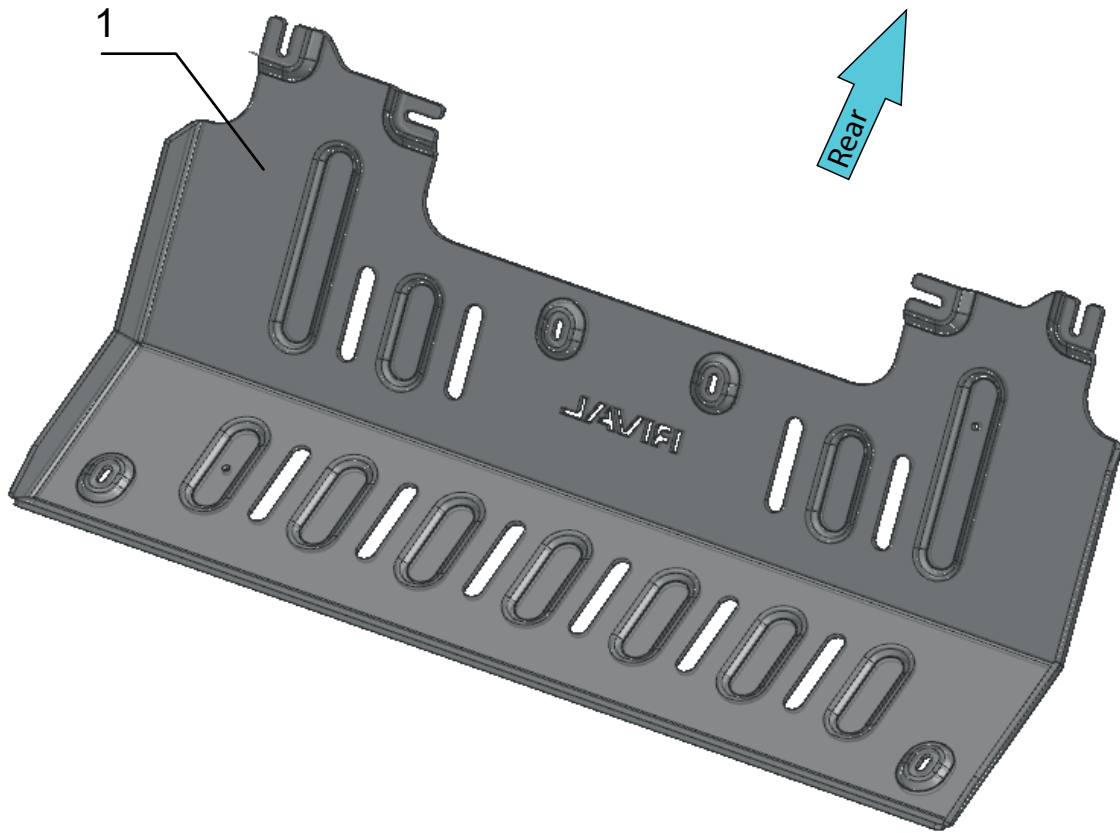
- \* Basic tool kit
- \* Torque wrench

## TORQUE SETTING

---

- \* M8 - 24 N·m (17.7 lb/ft)

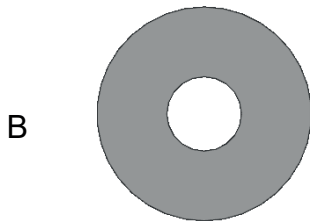
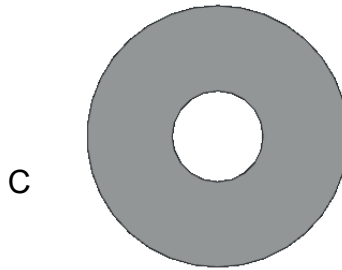
# PARTS LISTING



1. Skid plate.....Qty 1

# PARTS LISTING

---



A. Bolt M8x1x25.....	Qty 8
B. Washer M8.....	Qty 8
C. Washer M10.....	Qty 4

# INSTALLATION PROCEDURE

**\*If equipped, remove factory skid plate or other aftermarket skid plate.**

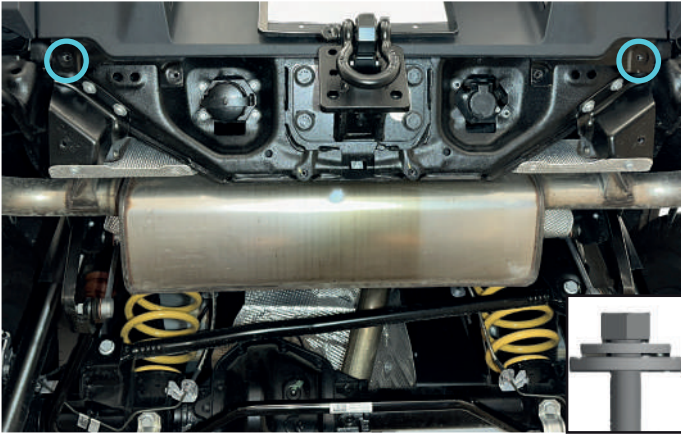


Fig. 1

1. Loosely install supplied M8x1x25 bolts with M8 and M10 washers (items A, B,C) as shown in fig.1.

**\*Do not tighten.**

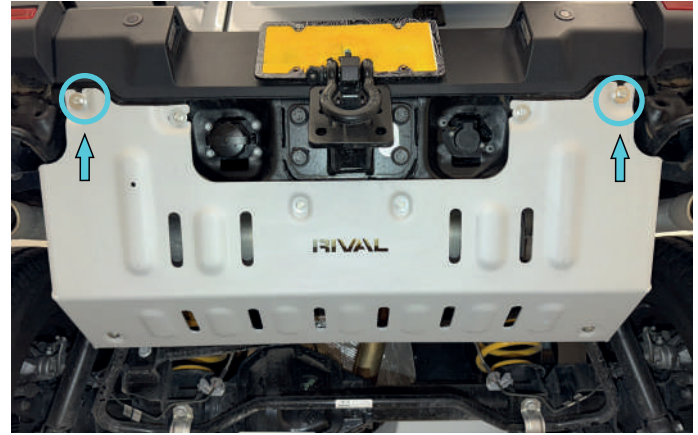


Fig. 2

2. Slide rear part of muffer skid plate(item 1) to previously installed bolts and secure using M8x1x25 bolts with M8 & M10 washers (items A,B,C) as shown in fig.2.

**\*Do not tighten.**



Fig. 3

3. Secure front and middle parts of the muffer skid plate (item 1) using M8x25 bolts and M8 washers (items A,B) as shown in fig.3

**\*Do not tighten.**

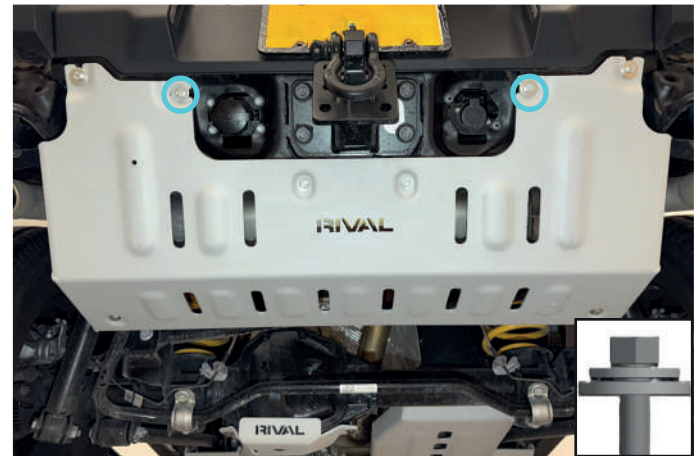


Fig. 4

4. Install hardware to remaining mounting points for the muffer skid plate (item 1) using M8x1x25 bolts, M8 and M10 washers (items A,B,C) as shown in fig.4

**\*Once all bolts are installed, check skid plate alignment and tighten all previously installed hardware.**

# INSTALLATION PROCEDURE

---

Before operating a vehicle fitted with RIVAL Skid Plate:

- make sure all hardware tightened;
- ensure the integrity of the structure and its components.

