

PRODUCT: ALUMINUM ENGINE SKID PLATE

APPLICATION: INEOS GRENADIER & QUARTERMASTER  
(2023-Present)

PART NO: 2333.4501.1.6

UP-TO-DATE  
MANUAL



## CAUTION!

To reduce the risk of serious injury or damage to property: Before you start installing and using this product, read the full instructions, pay special attention to the conditions of safe use and recommendations for installation! When installing or maintaining this product, it is necessary to use protective goggles. Check the integrity of the installed components and torque all hardware every 250 miles (400 kms). Discontinue use if there is any damage to the structure or fasteners!

## NOTICE

Skid plates are supplemental protection. We cannot guarantee protection against all possible damage from impacts. When driving, be careful of objects and terrain that may damage sensitive parts of the vehicle.

# ENGINE SKID PLATE

**RIVAL**

Part number 2333.4501.1.6

Suited to vehicle: Ineos Grenadier 3.0, 3.0D; AT; 4WD (2023-Present)  
Ineos Grenadier Quartermaster 3.0, 3.0D; AT; 4WD (2023-Present)

Material: Aluminum, steel



## SAFETY NOTICE

- \* The RIVAL skid plate is designed to complement the use and design of the specified vehicle under conditions underlined by the vehicle manufacturer.
- \* While driving the vehicle at any speed, collision with another vehicle, animal or object must always be avoided.
- \* Following any collision with another vehicle, animal or object, the RIVAL skid plate and the vehicle must be inspected by a specialized or suitably qualified vehicle technician for possible damage to the components and assemblies in order to confirm suitability for further use of the vehicle.
- \* It is strongly recommended that you do not operate a vehicle with a damaged skid plate or its components. In the case of damage, please contact the nearest RIVAL dealer. A damaged vehicle or skid plate is extremely dangerous and should be avoided at all cost.
- \* If applicable, we recommend using a funnel when changing the oil to prevent spills and ensure a clean process.

## INSTALLATION NOTICE

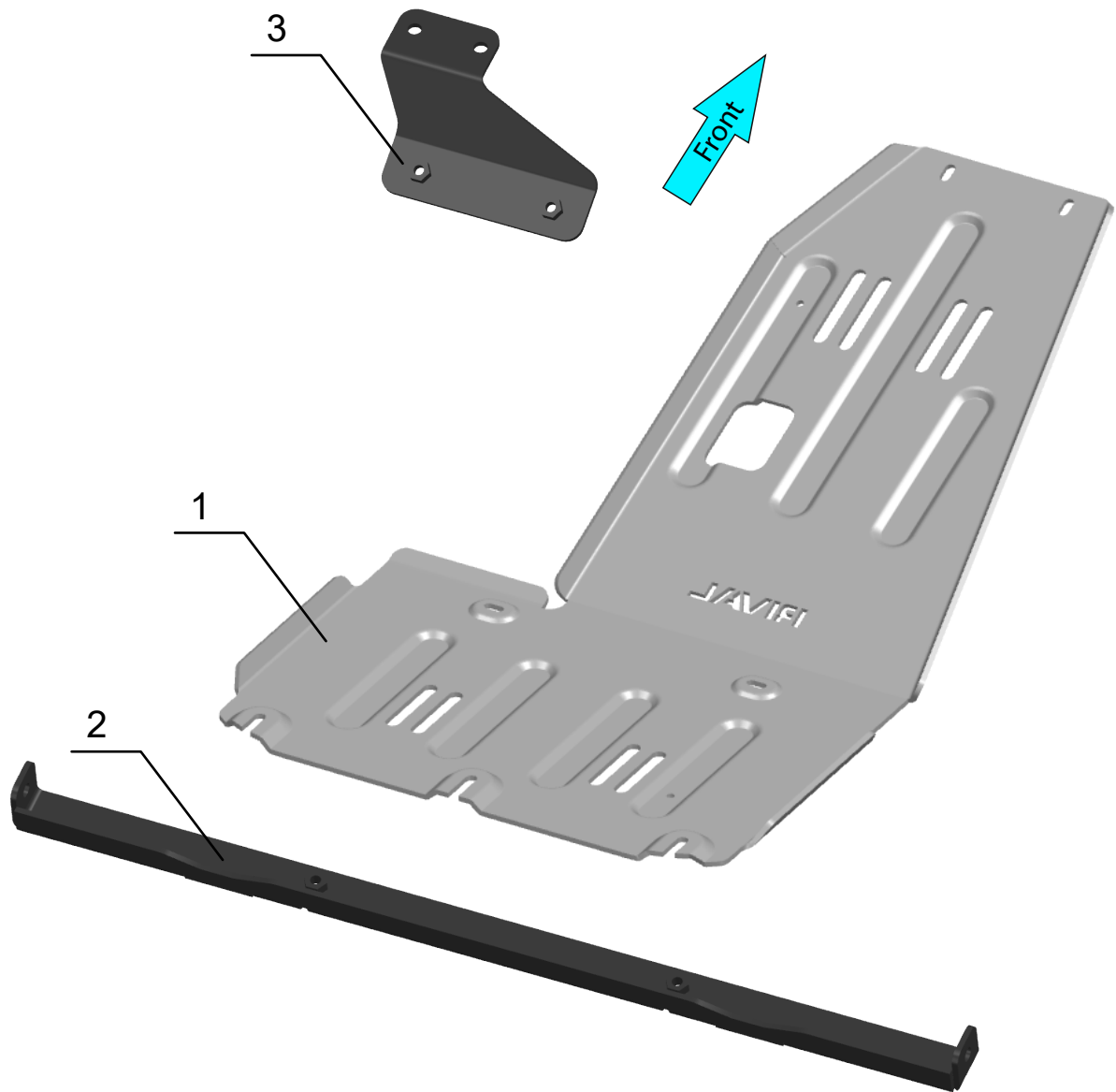
- \* The RIVAL skid plate must be mounted to the vehicle according to this installation manual.
- \* Personal safety during the installation process must be adhered to at all times.
- \* Do not install this skid plate on vehicle models other than those listed in this manual.
- \* We recommend using blue threadlocker on all hardware
- \* Estimated time for installation: 1 hour.

## REQUIRED TOOLS

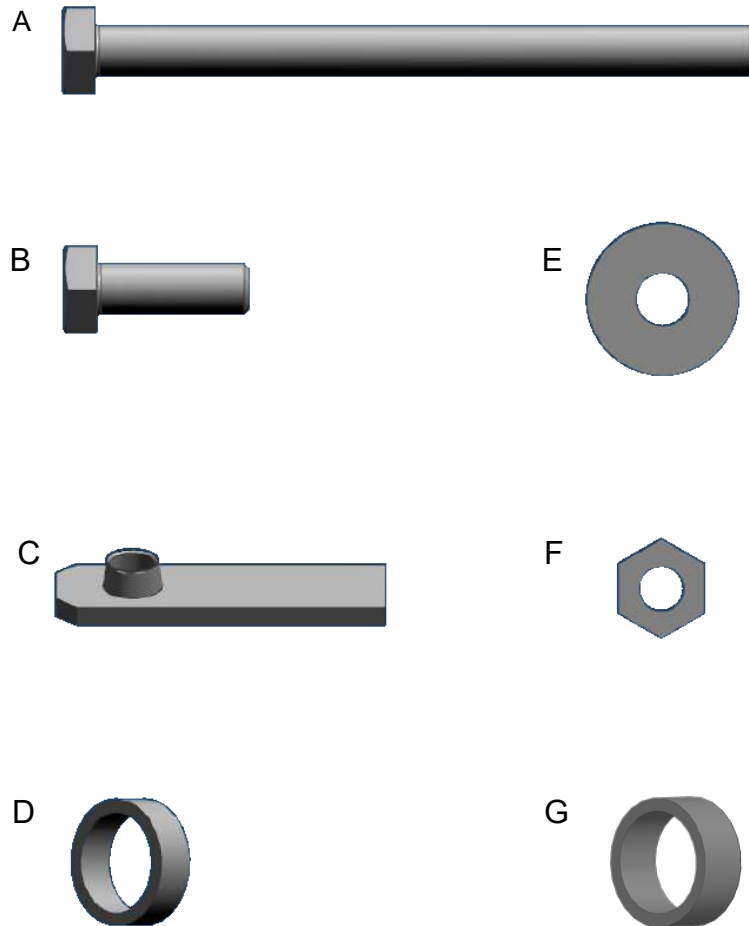
- \* Basic tool kit
- \* Torque wrench

## TORQUE SETTING

M10 - 47 N·m (34.7 lb/ft)



- 1. Engine skid plate.....Qty 1
- 2. Crossmember.....Qty 1
- 3. Bracket.....Qty 1



A. Bolt M10x1.5x150.....	Qty 2
B. Bolt M10x1.5x30.....	Qty 9
C. Insert nut M10.....	Qty 3
D. Spacer 8mm.....	Qty 2
E. Washer M10.....	Qty 15
F. Nut M10.....	Qty 4
G. Spacer 10mm.....	Qty 2



Fig. 1

1. Install M10x30 bolts with M10 washers (items B, E) through holes as shown in fig.1.



Fig. 2

2. Secure bracket (item 3) to the previously installed bolts using M10 nuts and M10 washers (items E, F) as shown in Fig.2.

**\*Do not tighten yet.**

## Installation without RIVAL control arm skid plates (2333.4503.1.6)



Fig. 3

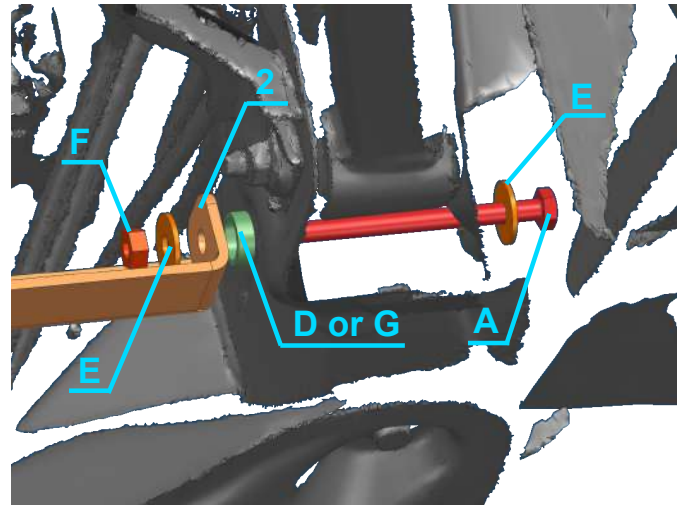


Fig. 4

3. Secure crossmember (item 2) using M10x150 bolts (item A), M10 washers (item E), spacers (items D or G), nuts M10 (item F) as shown in fig. 3 & 4.

**\*Due to factory tolerances we include two different size spacers. Utilize the pair that offer a tighter overall fitment.**

**\*Do not tighten yet.**

**\*\*Proceed to step 5**

## Installation with RIVAL control arm skid plates (2333.4503.1.6)

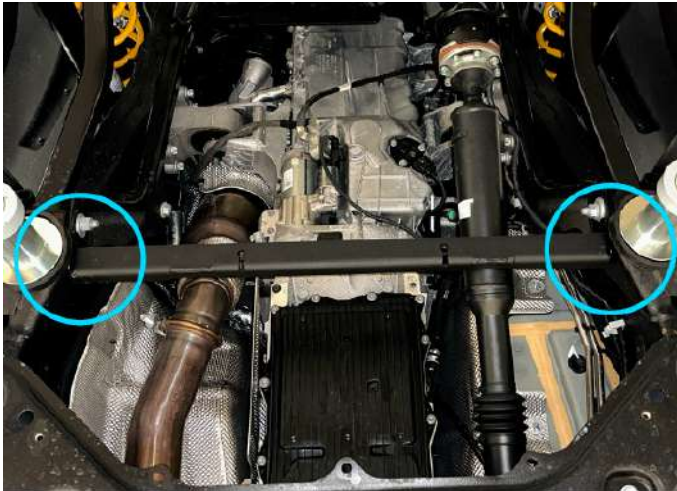


Fig. 5

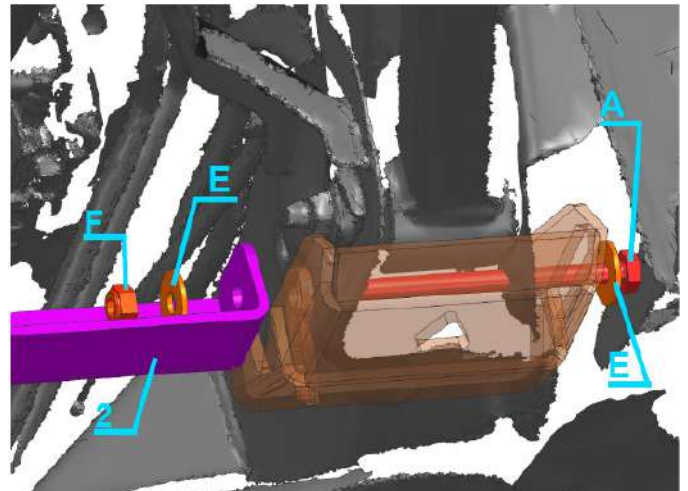


Fig. 6

4. Slide the crossmember (item 2) and left side control arm skid into place. Loosely install M10x150 bolt, M10 washers and M10 nut (items A, E, F) as shown in Fig. 5 and Fig. 6. Do the same on the right side of the vehicle.

**\*Do not tighten yet.**

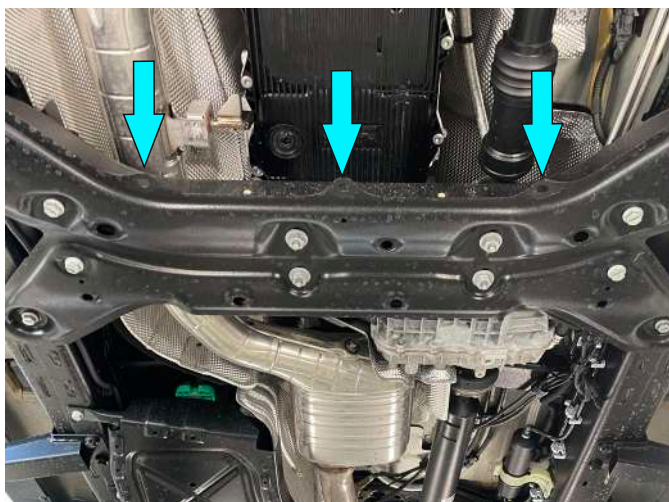


Fig. 5

4. Slide the crossmember (item 2) and left side control arm skid into place. Loosely install M10x150 bolt, M10 washers and M10 nut (items A, E, F) as shown in Fig. 5 and Fig. 6.

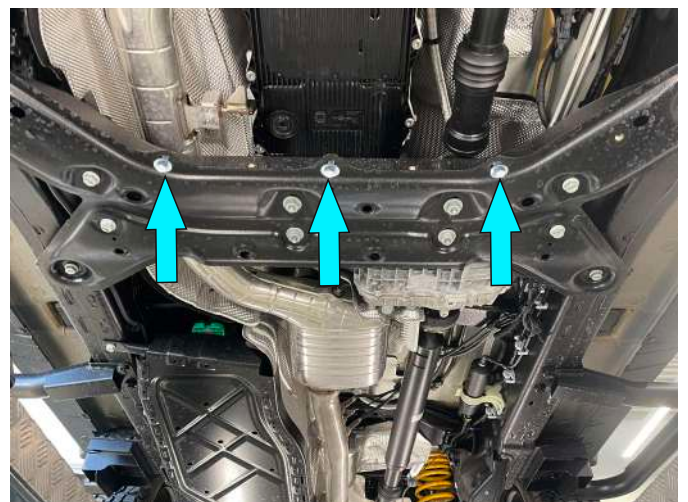


Fig. 6

5. Slightly screw bolts M10x30 with washers 10 (item B, E) into insert nuts M10 from step 4 (fig. 5).

**\*Do not tighten yet.**

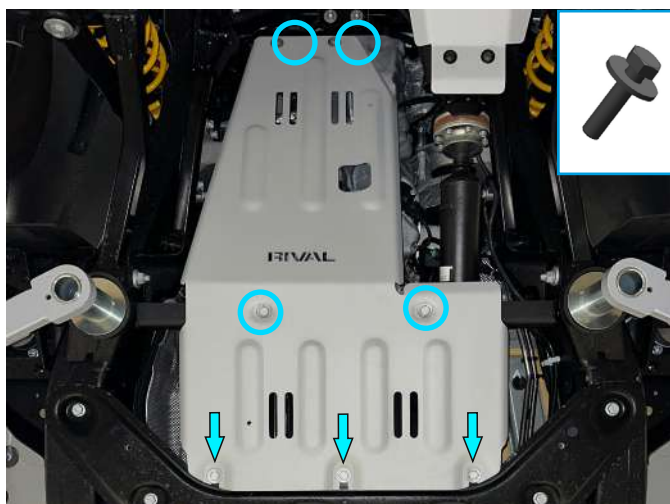


Fig. 7

7. Slide the rear of the engine skid plate (item 1) over previously installed M10 bolts & washers from step 6. Secure the skid plate to bracket and crossmember using remaining M10x30 bolts and M10 washers (items B, E) as shown in Fig. 9.

**\*Once all bolts are installed, check skid plate alignment and torque all hardware.**

Before operating a vehicle fitted with RIVAL Skid Plate:

- Make sure all fittings are properly torqued.
- Ensure the integrity of the structure and its components.



# INSTALLATION MANUAL

# RIVAL

UP-TO-DATE  
MANUAL



PRODUCT: TRANSFER CASE SKID PLATE

APPLICATION: INEOS GRENADIER & QUARTERMASTER  
(2023-Present)

PART NO: 2333.4502.2.6



## CAUTION!

To reduce the risk of serious injury or damage to property: Before you start installing and using this product, read the full instructions, pay special attention to the conditions of safe use and recommendations for installation! When installing or maintaining this product, it is necessary to use protective goggles. Check the integrity of the structure and the moment the fastening is tightened every 250 miles (400 kms) of mileage. Do not use this product if there is damage to the structure or fasteners!

## NOTICE

Skid plate is an additional protection, but it can not guarantee to protect against all possible damage in collisions. When driving, be careful of objects and terrain that may damage sensitive parts of the vehicle.

# TRANSFER CASE SKID PLATE

**RIVAL**

Part number: 2333.4502.2.6

Suited to vehicle: Ineos Grenadier 3.0, 3.0D AT 4WD (2023-Present)  
Ineos Grenadier Quartermaster 3.0, 3.0D; AT; 4WD (2023-Present)

Material: Aluminum, steel



## SAFETY NOTICE

- \* The RIVAL skid plate is designed to complement the use and design of the specified vehicle under conditions specified by the vehicle manufacturer.
- \* While driving the vehicle at any speed, collision with any other vehicle, animal or object must always be avoided.
- \* Following any collision with any other vehicle, animal or object, the RIVAL skid plate and the vehicle must be inspected by a specialized or suitably qualified vehicle repairer for possible damage to the components and assemblies in order to confirm suitability for further use of the vehicle.
- \* It is strongly recommended that you do not operate a vehicle with a damaged skid plate or its components. In the case of damage, please contact the nearest RIVAL dealer. Vehicle, or where the skid plate has been damaged, is extremely dangerous and must be avoided at all cost.

## INSTALLATION NOTICE

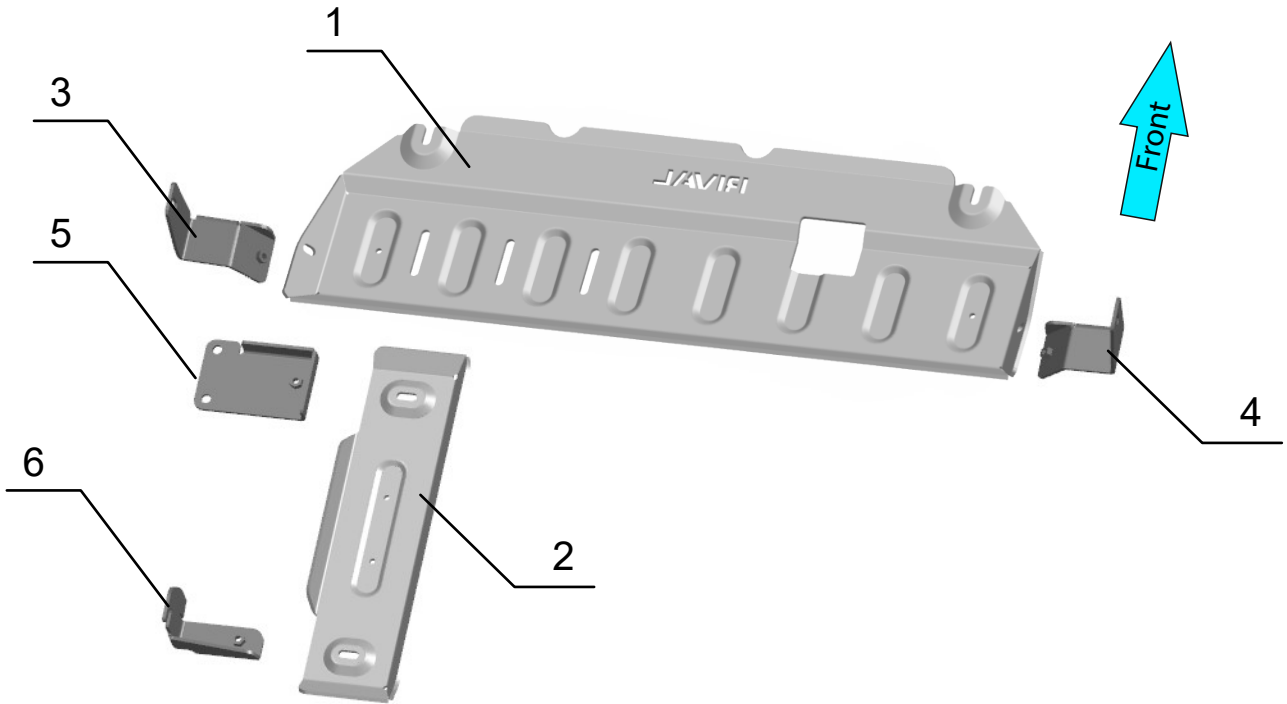
- \* The RIVAL skid plate must be mounted and affixed to the vehicle according to this installation manual.
- \* Personal safety during the installation process must be adhered to at all times.
- \* Do not install this skid plate on vehicle models other than those allowed in this manual.
- \* Estimated time for installation: 1 hour.

## REQUIRED TOOLS

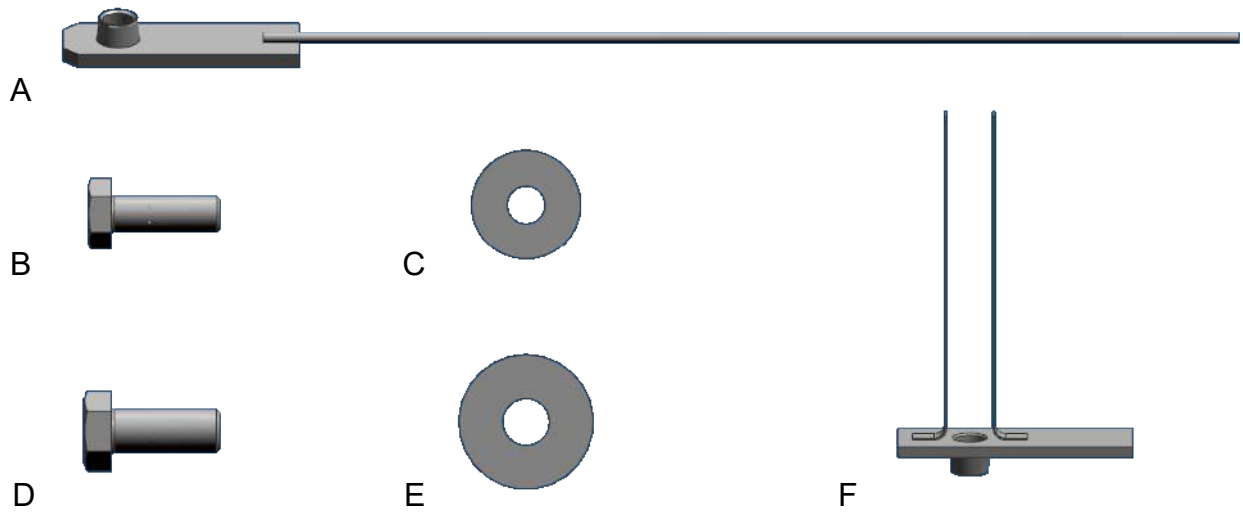
- \* Basic tool kit
- \* Torque wrench

## TORQUE SETTING

- \* M10 - 30 N·m (22.1 lb/ft)
- \* M12 - 77 N·m (56.8 lb/ft)



1. Transfer case skid plate.....	Qty 1
2. Fuel filter (diesel)/fuel pipes (gasoline) skid plate.....	Qty 1 (except Quartermaster)
3. Bracket left.....	Qty 1
4. Bracket right.....	Qty 1
5. Bracket 1.....	Qty 1
6. Bracket 2.....	Qty 1



A. Insert nut M10x60/10 with wire.....	Qty 2
B. Bolt M10x1x30.....	Qty 9
C. Washer M10.....	Qty 9
D. Bolt M12x1x30.....	Qty 2
E. Washer M12.....	Qty 2
F. Insert nut M10x65/20 with wires.....	Qty 3

# INSTALLATION PROCEDURE



\*If equipped, remove the factory skid plate or any other aftermarket skid plate.

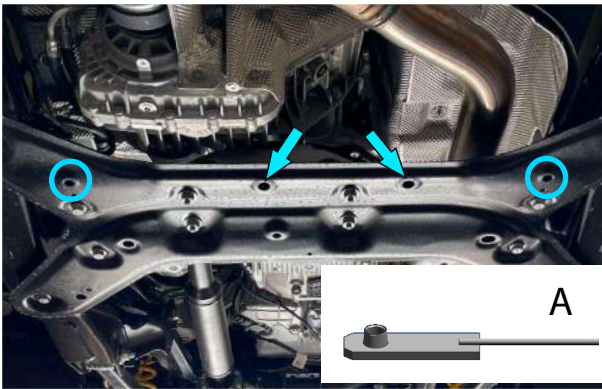


Fig. 1

1. Install insert nuts M10 with wire (item A) into side holes through center holes (fig.1).

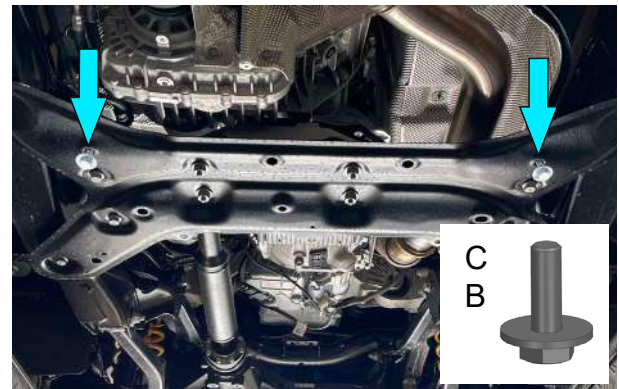


Fig. 2

2. Slightly screw bolts M10x30 with washers 10 (item B, C) into insert nuts M10 from step 1 (fig. 2).

**\*Do not tighten yet.**

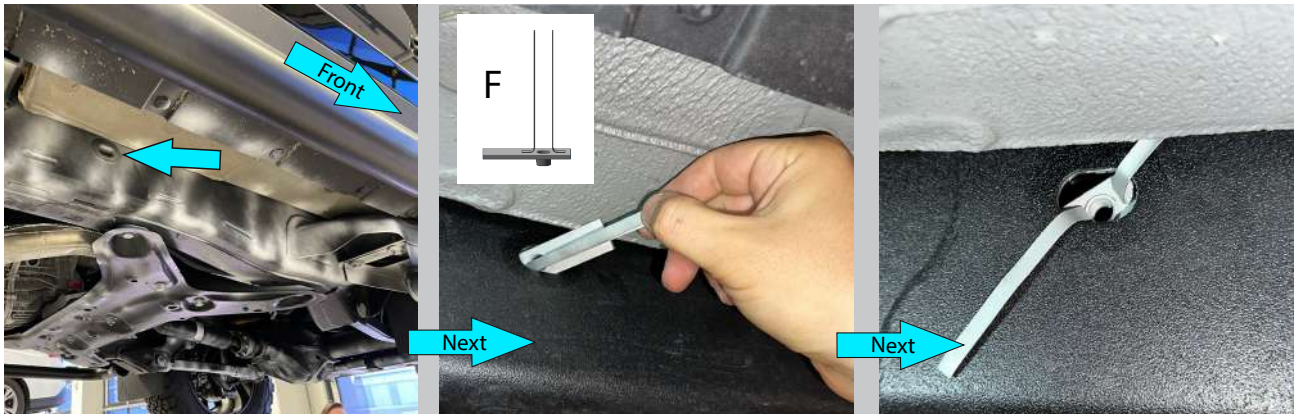


Fig. 3

3. Remove factory plug and install insert nuts M10 with wires (item F) into holes on both sides of the vehicle as shown in fig.3.

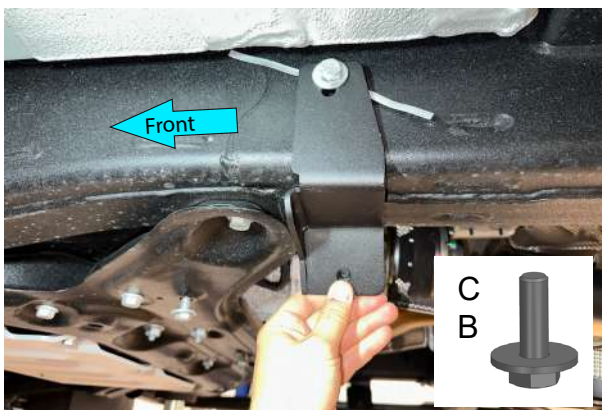


Fig. 4

4. Install left bracket (item 3) and secure it using bolt M10x30 with washer 10 (items B,C).

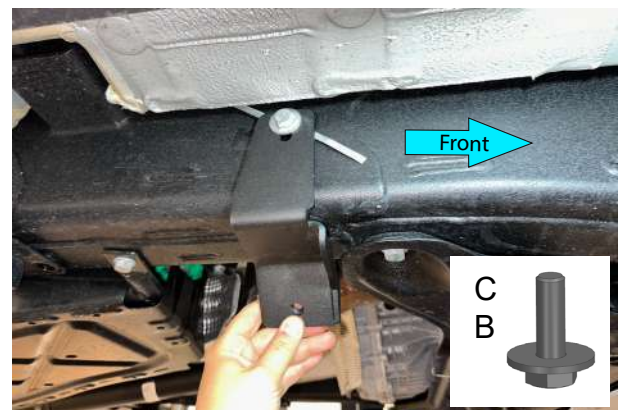


Fig. 5

5. Install right bracket (item 3) and secure it using bolt M10x30 with washer 10 (items B,C).

**\*Do not tighten yet.**



Fig. 6

6. Slide transfer case skid plate (item 1) on pre-installed bolts M10x30 from step 2. Secure the skid plate to brackets using bolts M10x30 and washers 10 (items B, C) (Fig. 6).

**\*Tighten hardware after that.**

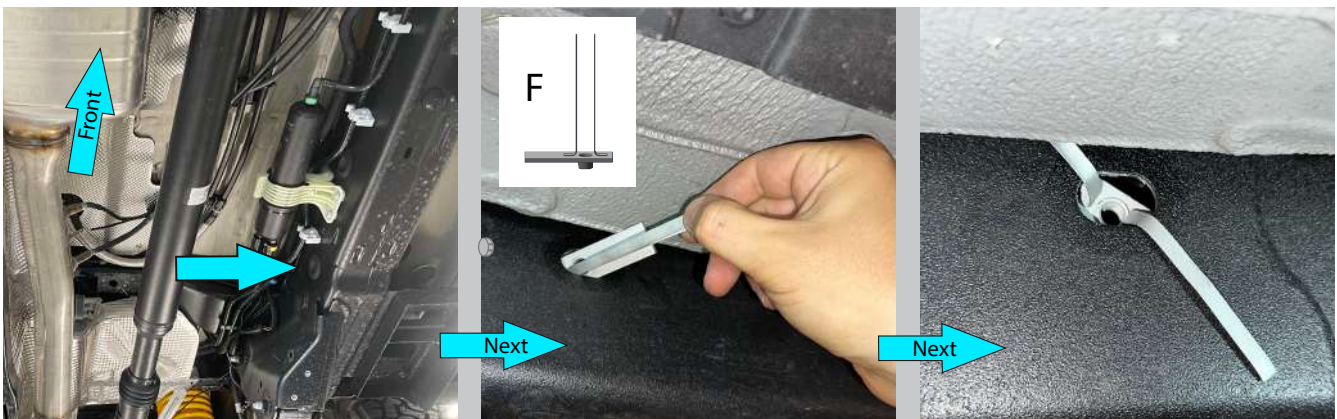


Fig. 7

7. Remove factory plug and install insert nut M10 with wires (item F) into hole as shown in fig.7.

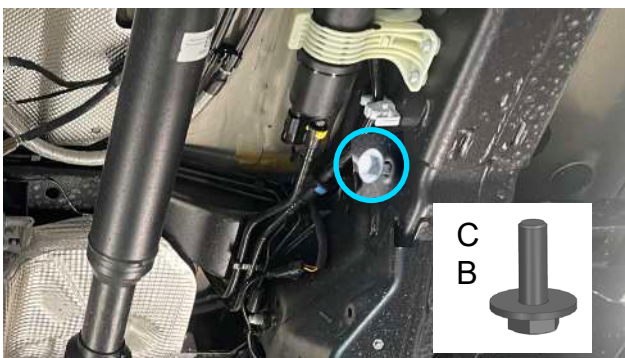


Fig. 8

8. Slightly insert supplied bolt M10x30 with washer 10 (items B, C) into insert nut M10.  
**\*Do not tighten yet.**



Fig. 9

9. Slide bracket 2 (item 6) on pre-installed bolts M10x30 from step 8 (fig. 9).  
**\*Do not tighten yet.**

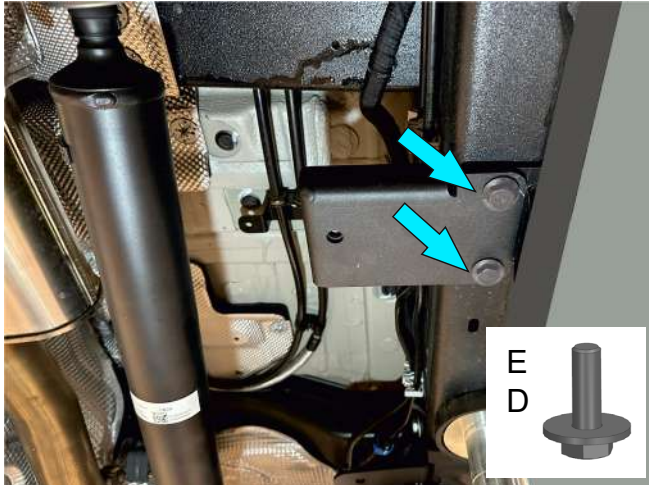


Fig. 10

10. If factory side steps are not pre-installed on the vehicle, install and secure bracket 1 (item 5) using bolts M12x30 with washers 12 (items D,E).

**\*Do not tighten yet.**

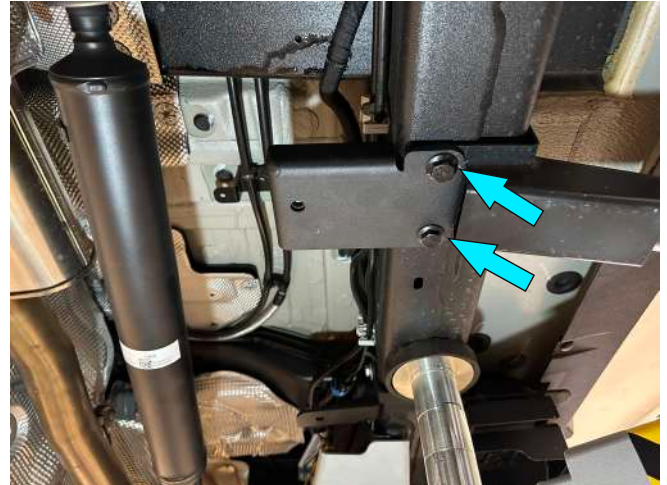


Fig. 11

11. If factory side steps are pre-installed on vehicle, install bracket 1 (item 5) over factory side step brackets as shown in fig.11. Secure bracket 1(item 5) using factory hardware.

**\*Do not tighten yet.**

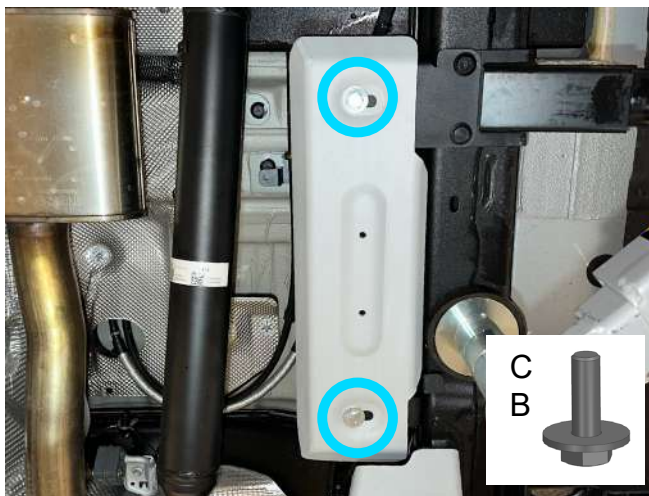


Fig. 12

12. Install fuel filter (diesel)/fuel pipes (gasoline) skid plate (item 2) on pre-installed brackets. Secure the skid plate using bolts M10x30 and washers 10 (item B, C) (Fig. 12).

**\*Once bolt are insertrd check skid plate alignment and tighten all previously installed hardware.**

Before operating a vehicle fitted with RIVAL Skid Plate:

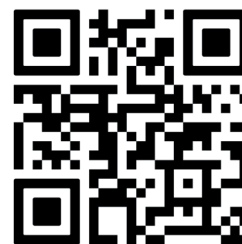
- make sure all fittings are tightened;
- ensure the integrity of the structure and its components.



# INSTALLATION MANUAL

**RIVAL**

PRODUCT: CONTROL ARM SKID PLATES  
APPLICATION: INEOS GRENADIER &  
QUARTERMASTER (2023-Present)  
PART NO: 2333.4503.1.6



UP-TO-DATE MANUAL



## CAUTION!

To reduce the risk of serious injury or damage to property: Before you start installing and using this product, read the full instructions, pay special attention to the conditions of safe use and recommendations for installation! When installing or maintaining this product, it is necessary to use protective goggles. Check the integrity of the structure and the moment the fastening is tightened every 250 miles (400 kms) of mileage. Do not use this product if there is damage to the structure or fasteners!

## NOTICE

Skid plate is an additional protection, but it can not guarantee to protect against all possible damage in collisions. When driving, be careful of objects and terrain that may damage sensitive parts of the vehicle.

# CONTROL ARM SKID PLATES

**RIVAL**

Part number: 2333.4503.1.6

Suited to vehicle: Ineos Grenadier 3.0, 3.0D; AT; 4WD (2023-Present)  
Ineos Grenadier Quartermaster 3.0, 3.0D; AT; 4WD (2023-Present)

Material: Aluminum



## SAFETY NOTICE

- \* The RIVAL skid plate is designed to complement the use and design of the specified vehicle under conditions specified by the vehicle manufacturer.
- \* While driving the vehicle at any speed, collision with any other vehicle, animal or object must always be avoided.
- \* Following any collision with any other vehicle, animal or object, the RIVAL skid plate and the vehicle must be inspected by a specialized or suitably qualified vehicle repairer for possible damage to the components and assemblies in order to confirm suitability for further use of the vehicle.
- \* It is strongly recommended that you do not operate a vehicle with a damaged skid plate or its components. In the case of damage, please contact the nearest RIVAL dealer. Vehicle, or where the skid plate has been damaged, is extremely dangerous and must be avoided at all cost.

## INSTALLATION NOTICE

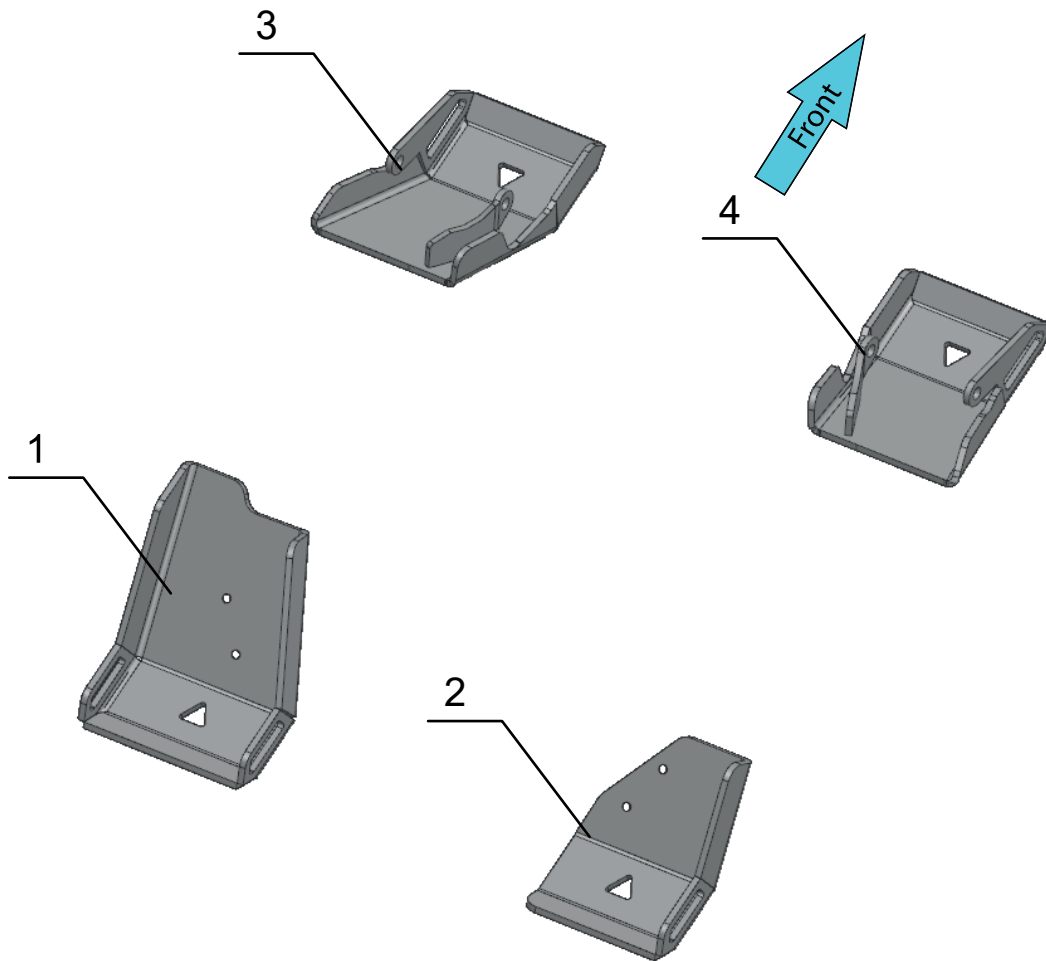
- \* The RIVAL skid plate must be mounted and affixed to the vehicle according to this installation manual.
- \* Personal safety during the installation process must be adhered to at all times.
- \* Do not install this skid plate on vehicle models other than those allowed in this manual.
- \* Estimated time for installation: 1 hour.

## REQUIRED TOOLS

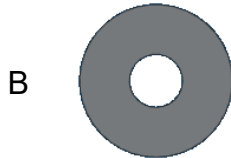
- \* Basic tool kit
- \* Torque wrench

## TORQUE SETTING

- \* M6 - 9 N·m (6.6 lb/ft)
- \* M10 - 30 N·m (22.1 lb/ft)



- 1. Rear control arm skid plate (left).....Qty 1
- 2. Rear control arm skid plate (right).....Qty 1
- 3. Front control arm skid plate (left).....Qty 1
- 4. Front control arm skid plate (right).....Qty 1



A. Bolt M10x1.5x140.....	Qty 2
B. Washer M10.....	Qty 4
C. Nut M10x1.5.....	Qty 2
D. Countersunk bolt M6x1x20.....	Qty 4

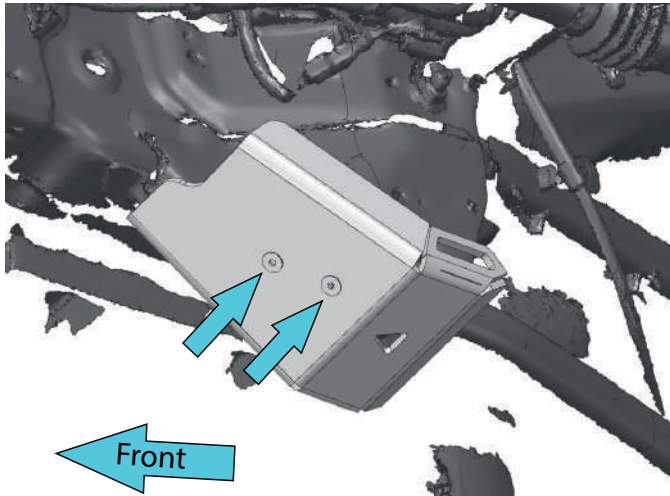


Fig. 1

1. Install the rear control arm skid plate (left) (item 1) to the factory mounting points using M6 x20 countersunk bolts (item D) (Fig.1).  
**\*Torque hardware.**

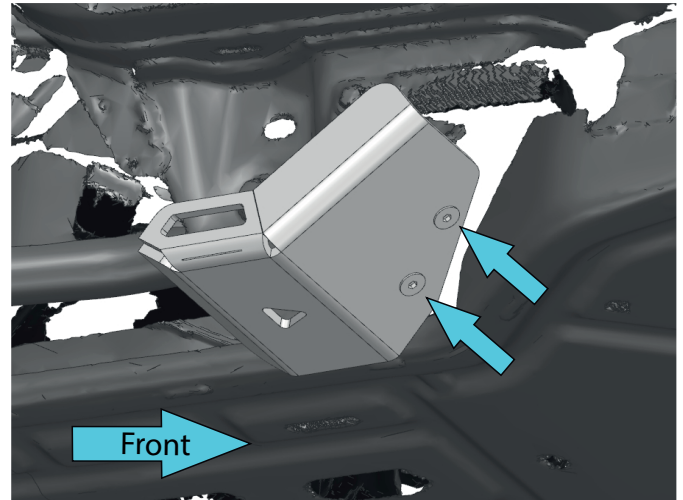


Fig. 2

2. Install the rear control arm skid plate (right) (item 2) to the factory mounting points using M6 x20 countersunk bolts (item D) (Fig. 2).  
**\*Torque hardware.**

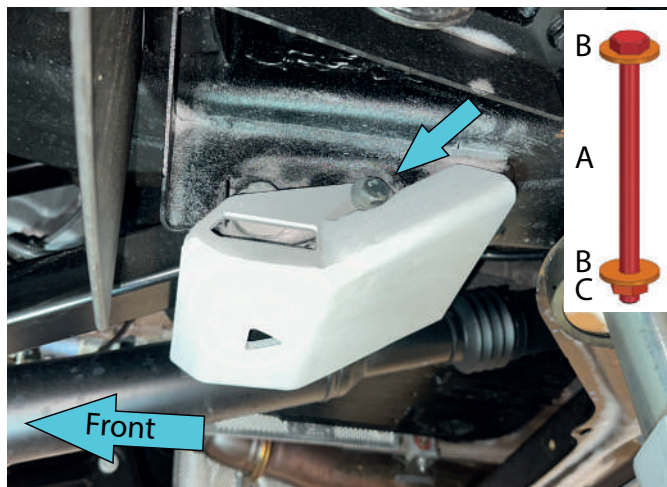


Fig. 3

3. Install the front control arm skid plates (items 3&4) using M10x140 bolts, M10 washers and M10 nuts (items A,B,C) (Fig. 3).

\*If you are installing with the RIVAL engine skid plate, unbolt the crossmember and remove the spacer from step 3 of the RIVAL engine skid plate installation manual. Install the front control arm skid plates (items 3&4) between the skid plate crossmember and frame using M10x140 bolts, M10 washers, and M10 nuts (items A,B,C) (Fig. 4).

**\*Torque all hardware.**

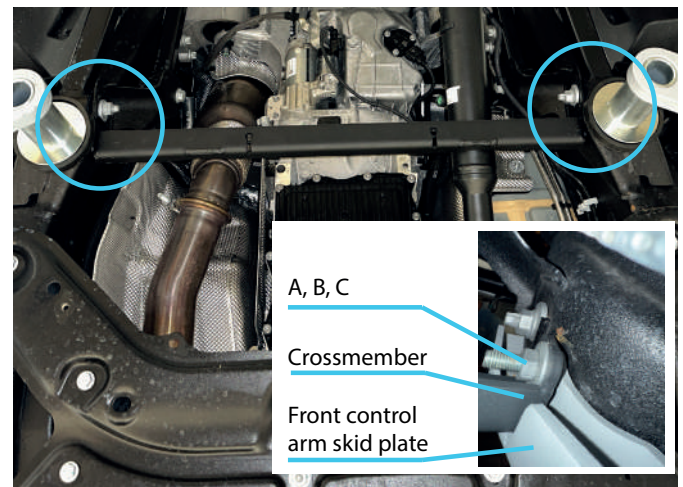


Fig. 4

Before operating a vehicle fitted with RIVAL Skid Plate:

- make sure all fittings are tightened;
- ensure the integrity of the structure and its components.



PRODUCT: FRONT DIFFERENTIAL SKID PLATE

APPLICATION: INEOS GRENADE & QUARTERMASTER (2023-Present)

PART NO: 2333.4504.1.6



UP-TO-DATE  
MANUAL



## CAUTION!

To reduce the risk of serious injury or damage to property: Before you start installing and using this product, read the full instructions, pay special attention to the conditions of safe use and recommendations for installation! When installing or maintaining this product, it is necessary to use protective goggles. Check the integrity of the installed components and torque all hardware every 250 miles (400 kms). Discontinue use if there is any damage to the structure or fasteners!

## NOTICE

Skid plates are supplemental protection. We cannot guarantee protection against all possible damage from impacts. When driving, be careful of objects and terrain that may damage sensitive parts of the vehicle.

# FRONT DIFFERENTIAL SKID PLATE

**RIVAL**

Part number: 2333.4504.1.6

Vehicle Ineos Grenadier 3.0, 3.0D; AT; 4WD (2023-Present)  
Compatibility: Ineos Grenadier Quartermaster 3.0, 3.0D; AT; 4WD (2023-Present)

Material: Aluminum



## SAFETY NOTICE

- \* The RIVAL skid plate is designed to complement the use and design of the specified vehicle under conditions underlined by the vehicle manufacturer.
- \* While driving the vehicle at any speed, collision with another vehicle, animal or object must always be avoided.
- \* Following any collision with another vehicle, animal or object, the RIVAL skid plate and the vehicle must be inspected by a specialized or suitably qualified vehicle technician for possible damage to the components and assemblies in order to confirm suitability for further use of the vehicle.
- \* It is strongly recommended that you do not operate a vehicle with a damaged skid plate or its components. In the case of damage, please contact the nearest RIVAL dealer. A damaged vehicle or skid plate is extremely dangerous and should be avoided at all cost.

## INSTALLATION NOTICE

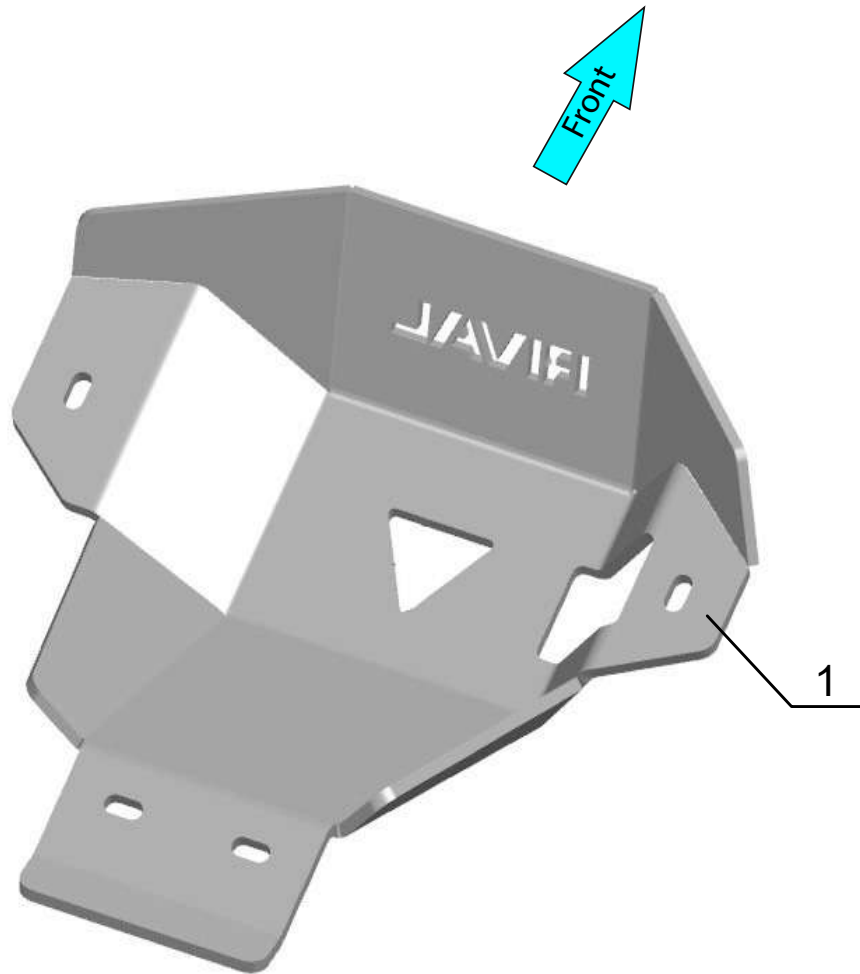
- \* The RIVAL skid plate must be mounted to the vehicle according to this installation manual.
- \* Personal safety during the installation process must be adhered to at all times.
- \* Do not install this skid plate on vehicle models other than those listed in this manual.
- \* We recommend using blue threadlocker on all hardware
- \* Estimated time for installation: 1 hour.

## REQUIRED TOOLS

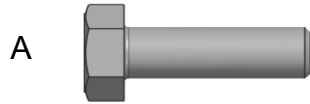
- \* Basic tool kit
- \* Torque wrench

## TORQUE SETTING

- \* M10 - 47 N·m (34.7 lb/ft)
- \* M12 - 77 N·m (56.8 lb/ft)



1. Front differential skid plate.....Qty 1



- A. Hex Bolt M12x1.5x30.....Qty 2
- B. Button Head Bolt M10x1.5x25.....Qty 2
- C. Flat Washer M12.....Qty 2
- D. Flat Washer M10.....Qty 2

# INSTALLATION PROCEDURE

**RIVAL**

**\*If equipped, remove factory or any aftermarket skid plates that might interfere with installation.**

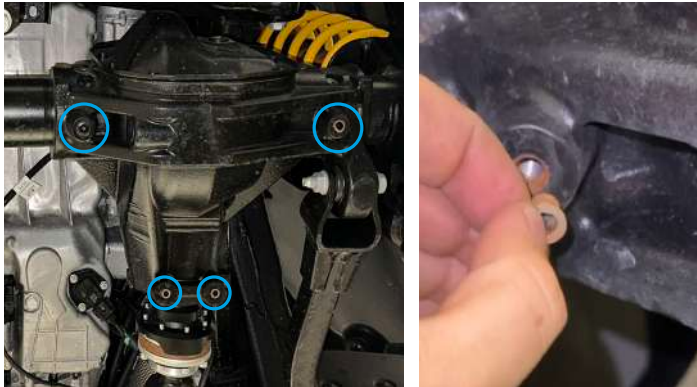


Fig. 1

1. Remove and discard the plugs from the factory threaded holes as shown in Fig.1.



Fig. 2

2. Install the differential skid plate (item 1) and secure the front using M12x30 Hex Bolts and M12 Flat washers (items A, C) as shown in Fig.2.

**\*Do not tighten yet.**



Fig. 3

3. Secure the rear of the differential skid plate (item 1) using M10x25 button head bolts and M10 flat washers (items B, D) as shown in Fig.3.

**\*Torque all hardware.**

Before operating a vehicle fitted with RIVAL Skid Plates:

- Make sure all fittings are properly torqued.
- Ensure the integrity of the structure and its components.



PRODUCT: REAR DIFFERENTIAL SKID PLATE

APPLICATION: INEOS GRENADIER & QUARTERMASTER (2023-Present)

PART NO: 2333.4505.1.6



UP-TO-DATE  
MANUAL



2333.4505.1.6

## CAUTION!

To reduce the risk of serious injury or damage to property: Before you start installing and using this product, read the full instructions, pay special attention to the conditions of safe use and recommendations for installation! When installing or maintaining this product, it is necessary to use protective goggles. Check the integrity of the installed components and torque all hardware every 250 miles (400 kms). Discontinue use if there is any damage to the structure or fasteners!

## NOTICE

Skid plates are supplemental protection. We cannot guarantee protection against all possible damage from impacts. When driving, be careful of objects and terrain that may damage sensitive parts of the vehicle.

# REAR DIFFERENTIAL SKID PLATE

**RIVAL**

Part number: 2333.4505.1.6

Vehicle Ineos Grenadier 3.0, 3.0D; AT; 4WD (2023-Present)  
Compatibility: Ineos Grenadier Quartermaster 3.0, 3.0D; AT; 4WD (2023-Present)

Material: Aluminum



## SAFETY NOTICE

- \* The RIVAL skid plate is designed to complement the use and design of the specified vehicle under conditions underlined by the vehicle manufacturer.
- \* While driving the vehicle at any speed, collision with another vehicle, animal or object must always be avoided.
- \* Following any collision with another vehicle, animal or object, the RIVAL skid plate and the vehicle must be inspected by a specialized or suitably qualified vehicle technician for possible damage to the components and assemblies in order to confirm suitability for further use of the vehicle.
- \* It is strongly recommended that you do not operate a vehicle with a damaged skid plate or its components. In the case of damage, please contact the nearest RIVAL dealer. A damaged vehicle or skid plate is extremely dangerous and should be avoided at all cost.

## INSTALLATION NOTICE

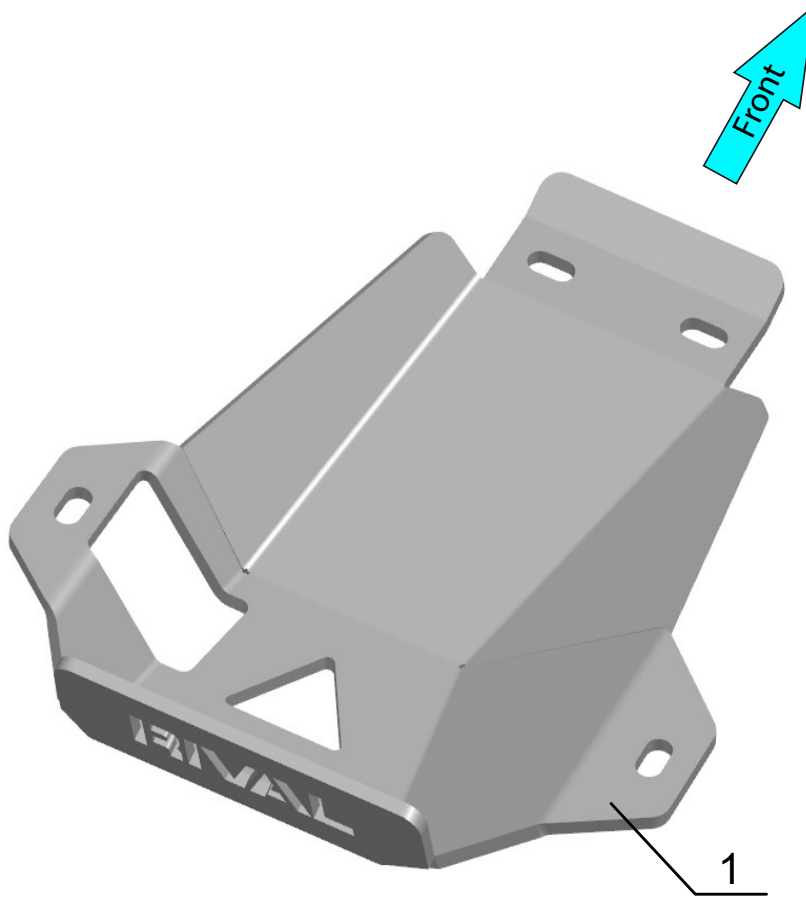
- \* The RIVAL skid plate must be mounted to the vehicle according to this installation manual.
- \* Personal safety during the installation process must be adhered to at all times.
- \* Do not install this skid plate on vehicle models other than those listed in this manual.
- \* We recommend using blue threadlocker on all hardware
- \* Estimated time for installation: 1 hour.

## REQUIRED TOOLS

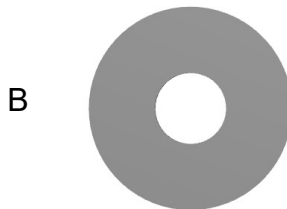
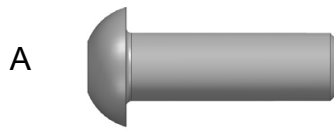
- \* Basic tool kit
- \* Torque wrench

## TORQUE SETTING

- \* M10 - 47 N·m (34.7 lb/ft)



1. Rear differential skid plate.....Qty 1



- A. Button Head Bolt M10x1.5x25.....Qty 4
- B. Flat Washer 10.....Qty 4

# INSTALLATION PROCEDURE

**RIVAL**

**\*If equipped, remove factory or any aftermarket skid plates that might interfere with installation.**

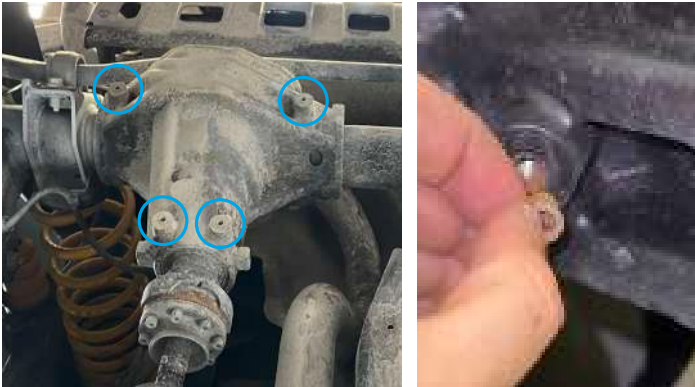


Fig. 1

1. Remove and discard the plugs from the factory threaded holes as shown in Fig.1.

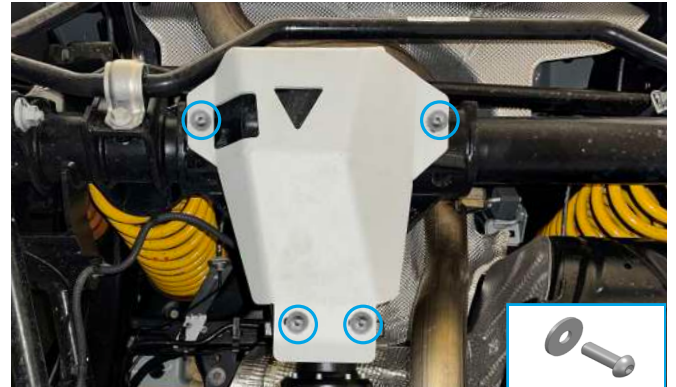


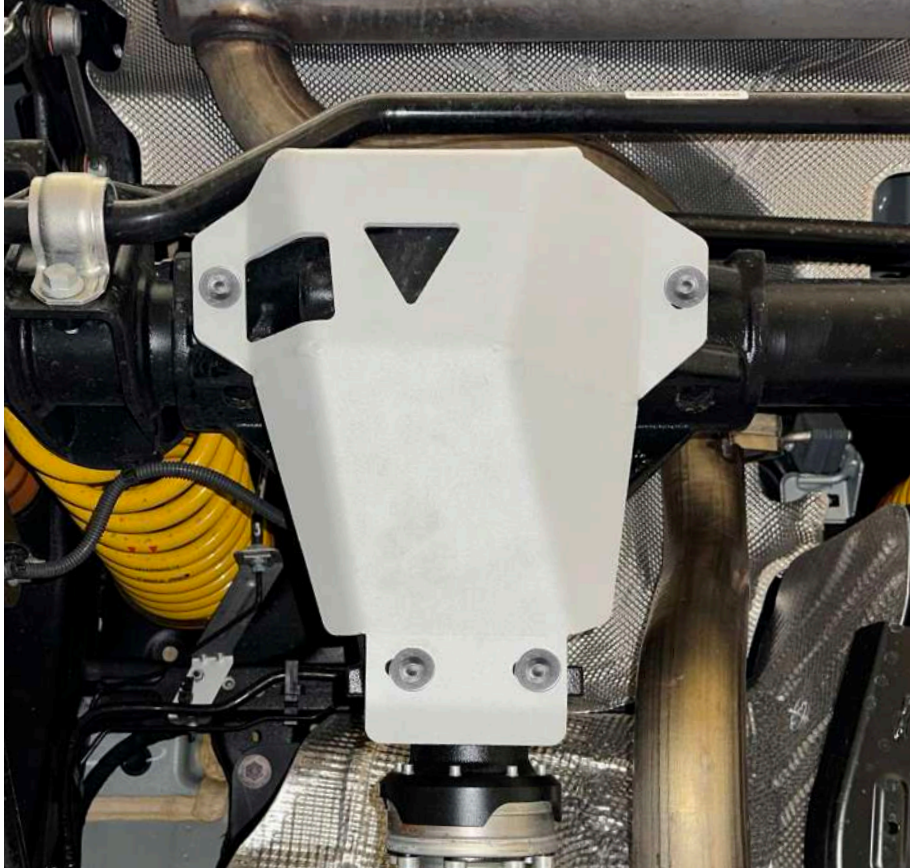
Fig. 2

2. Install the differential skid plate (item 1) and secure it using M10x25 button head bolts and M10 flat washers 10 (items A, B) as shown in Fig.2

**\*Torque all hardware.**

Before operating a vehicle fitted with RIVAL Skid Plates:

- Make sure all fittings are properly torqued.
- Ensure the integrity of the structure and its components.



PRODUCT: FUEL TANK SKID PLATE  
APPLICATION: INEOS GRENADIER & QUARTERMASTER  
(2023-Present)  
PART NO: 2333.4506.1.6

UP-TO-DATE  
MANUAL



## CAUTION!

To reduce the risk of serious injury or damage to property: Before you start installing and using this product, read the full instructions, pay special attention to the conditions of safe use and recommendations for installation! When installing or maintaining this product, it is necessary to use protective goggles. Check the integrity of the installed components and torque all hardware every 250 miles (400 kms). Discontinue use if there is any damage to the structure or fasteners!

## NOTICE

Skid plates are supplemental protection. We cannot guarantee protection against all possible damage from impacts. When driving, be careful of objects and terrain that may damage sensitive parts of the vehicle.

# FUEL TANK SKID PLATE

**RIVAL**

Part number: 2333.4506.1.6

Suited to vehicle: Ineos Grenadier 3.0, 3.0D; AT; 4WD (2023-Present)  
Ineos Grenadier Quartermaster 3.0, 3.0D; AT; 4WD (2023-Present)

Material: Aluminum / Steel



## SAFETY NOTICE

- \* The RIVAL skid plate is designed to complement the use and design of the specified vehicle under conditions underlined by the vehicle manufacturer.
- \* While driving the vehicle at any speed, collision with another vehicle, animal or object must always be avoided.
- \* Following any collision with another vehicle, animal or object, the RIVAL skid plate and the vehicle must be inspected by a specialized or suitably qualified vehicle technician for possible damage to the components and assemblies in order to confirm suitability for further use of the vehicle.
- \* It is strongly recommended that you do not operate a vehicle with a damaged skid plate or its components. In the case of damage, please contact the nearest RIVAL dealer. A damaged vehicle or skid plate is extremely dangerous and should be avoided at all cost.

## INSTALLATION NOTICE

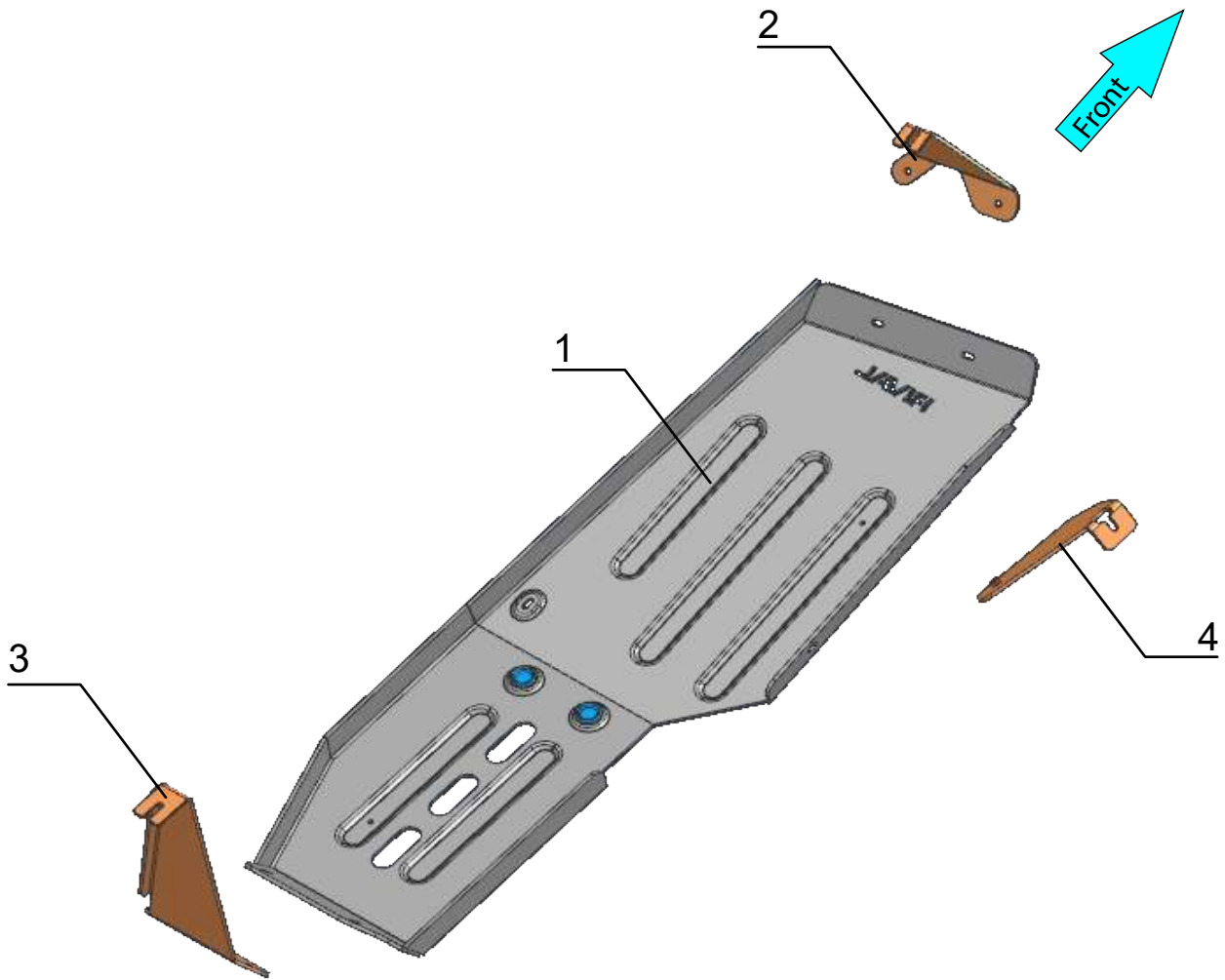
- \* The RIVAL skid plate must be mounted to the vehicle according to this installation manual.
- \* Personal safety during the installation process must be adhered to at all times.
- \* Do not install this skid plate on vehicle models other than those listed in this manual.
- \* We recommend using blue threadlocker on all hardware
- \* Estimated time for installation: 1 hour.

## REQUIRED TOOLS

- \* Basic tool kit
- \* Torque wrench

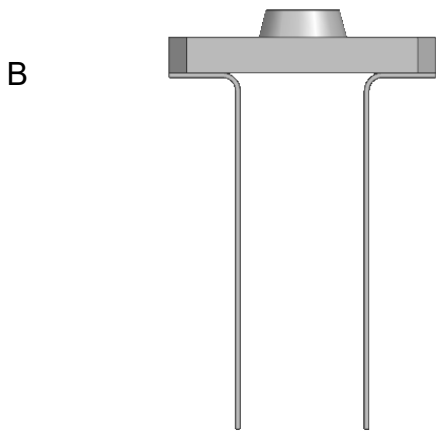
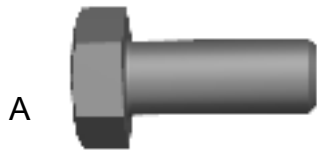
## TORQUE SETTING

- \* M8 - 24 Nm (17.7 lb/ft)



- 1. Skid plate.....Qty 1
- 2. Front bracket .....Qty 1
- 3. Rear bracket.....Qty 1
- 4. Side bracket.....Qty 1

# PARTS LISTING



- A. Bolt M8x25.....Qty 6
- B. Insert nut M8.....Qty 1
- C. Washer M8.....Qty 6

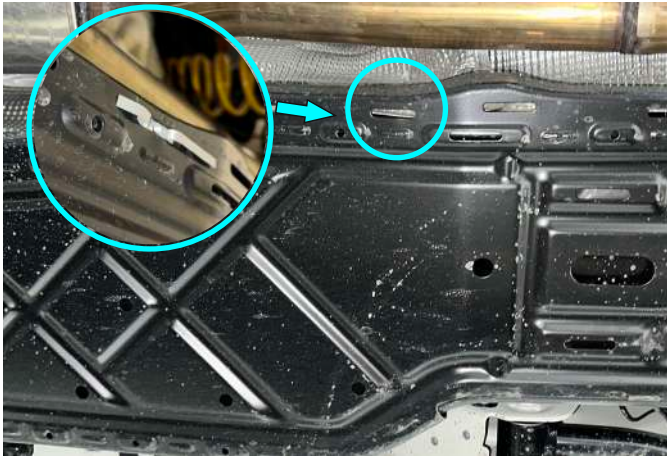


Fig. 1

1. Install M8 insert nut(item B) as shown in fig.1



Fig. 2

2. Loosen, but do not remove, front factory bolt as shown in fig. 2



Fig. 3

3. Install the front bracket (item 2) by sliding it over the previously loosened bolt and loosely secure the factory bolt as shown in fig.3.

**\*Do not tighten yet.**

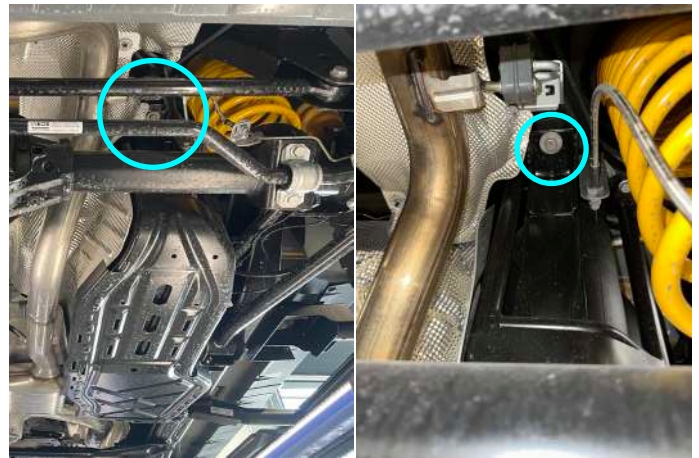


Fig. 4

4. Loosen, but do not remove, rear factory bolt as shown in fig.4



Fig. 5

5. Install the rear bracket (item 3) by sliding it over the previously loosened bolt and loosely secure the factory bolt as shown in fig.5.

**\*Do not tighten yet.**

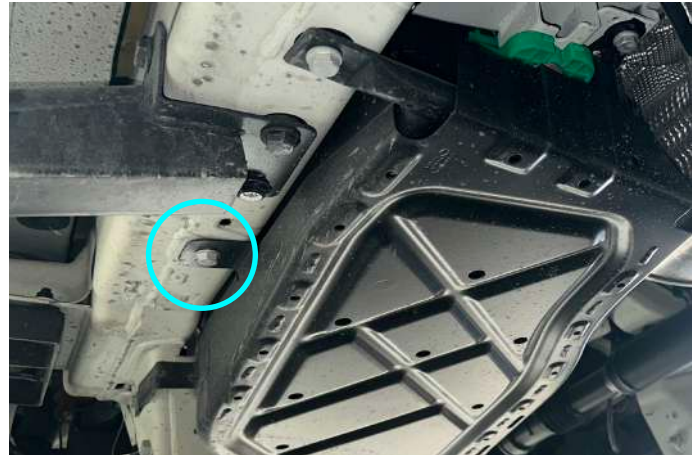


Fig. 6

6. Loosen, but do not remove, factory side bolt as shown in fig.6



Fig. 7

7. Install the side bracket (item 4) by sliding it over the previously loosened bolt and loosely secure the factory bolt as shown in fig.7

**\*Do not tighten yet.**

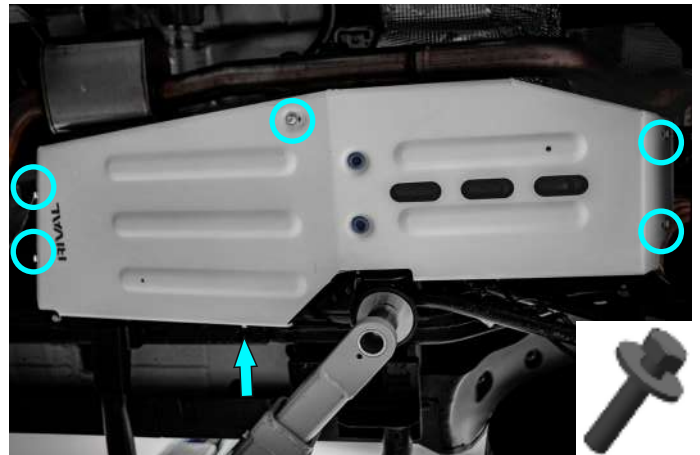


Fig. 8

8. Secure the fuel tank skid plate (item 1) to previously installed brackets using M8x25 bolts (item A) and M8 washers (item C) as shown in fig.8. It may be necessary to manipulate the brackets to line up the mounting holes.

**\*Torque all hardware.**

Before operating a vehicle fitted with RIVAL Skid Plate:

- Make sure all fittings are properly torqued.
- Ensure the integrity of the structure and its components.

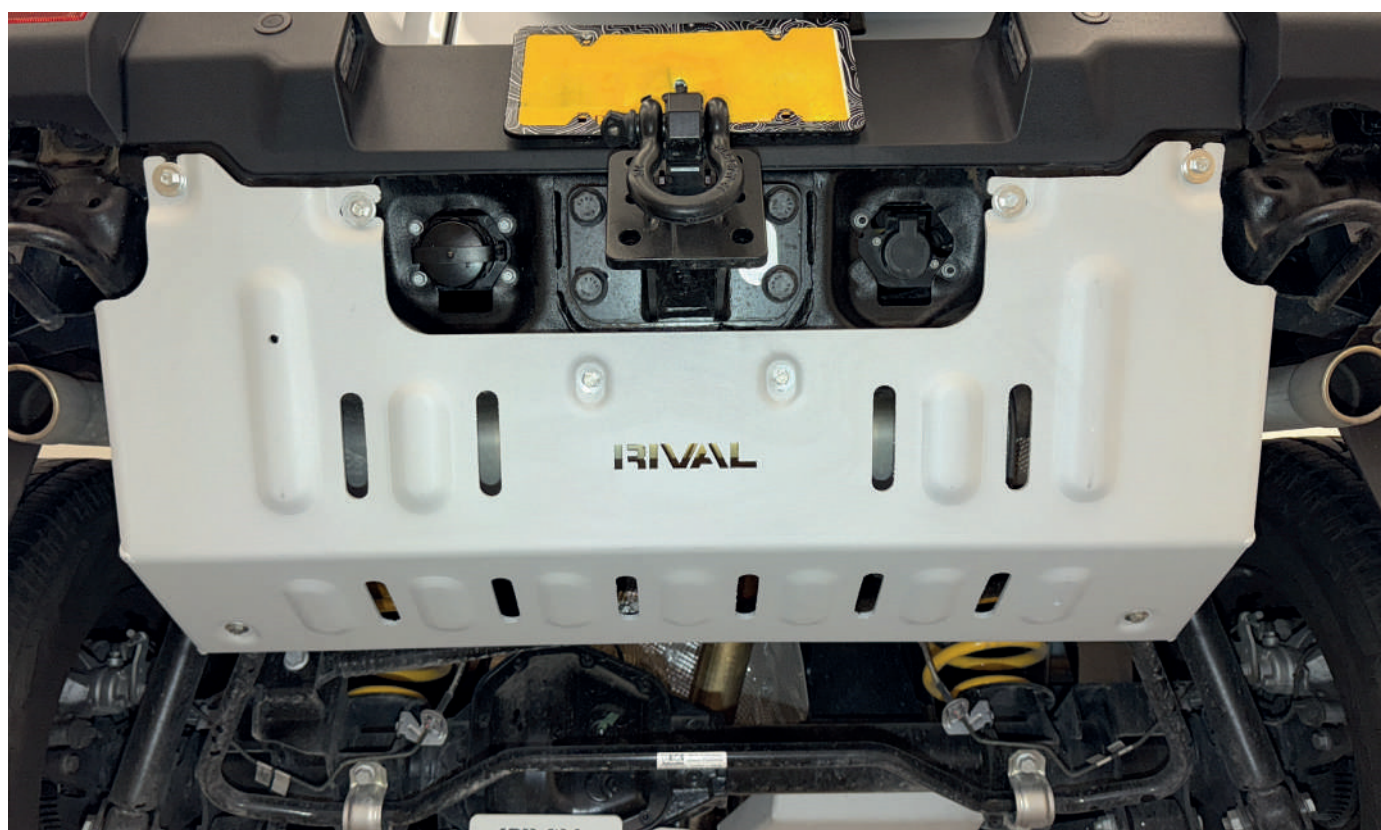


# INSTALLATION MANUAL

# RIVAL

UP-TO-DATE  
MANUAL

PRODUCT: MUFFLER SKID PLATE  
APPLICATION: INEOS GRENADIER (2023-PRESENT)  
PART NO: 2333.4507.1.6



## CAUTION!

To reduce the risk of serious injury or damage to property: Before you start installing and using this product, read the full instructions, pay special attention to the conditions of safe use and recommendations for installation! When installing or maintaining this product, it is necessary to use protective goggles. Check the integrity of the installed components and torque all hardware every 250 miles (400 kms). Discontinue use if there is any damage to the structure or fasteners!

## NOTICE

Skid plates are supplemental protection. We cannot guarantee protection against all possible damage from impacts. When driving, be careful of objects and terrain that may damage sensitive parts of the vehicle.

# MUFFLER SKID PLATE

**RIVAL**

Part number: 2333.4507.1.6

Suited to vehicle: Ineos Grenadier 3.0, 3.0D AT 4WD (2023-Present)

Material: Aluminum



## SAFETY NOTICE

- \* The RIVAL skid plate is designed to complement the use and design of the specified vehicle under conditions underlined by the vehicle manufacturer.
- \* While driving the vehicle at any speed, collision with another vehicle, animal or object must always be avoided.
- \* Following any collision with another vehicle, animal or object, the RIVAL skid plate and the vehicle must be inspected by a specialized or suitably qualified vehicle technician for possible damage to the components and assemblies in order to confirm suitability for further use of the vehicle.
- \* It is strongly recommended that you do not operate a vehicle with a damaged skid plate or its components. In the case of damage, please contact the nearest RIVAL dealer. A damaged vehicle or skid plate is extremely dangerous and should be avoided at all cost.

## INSTALLATION NOTICE

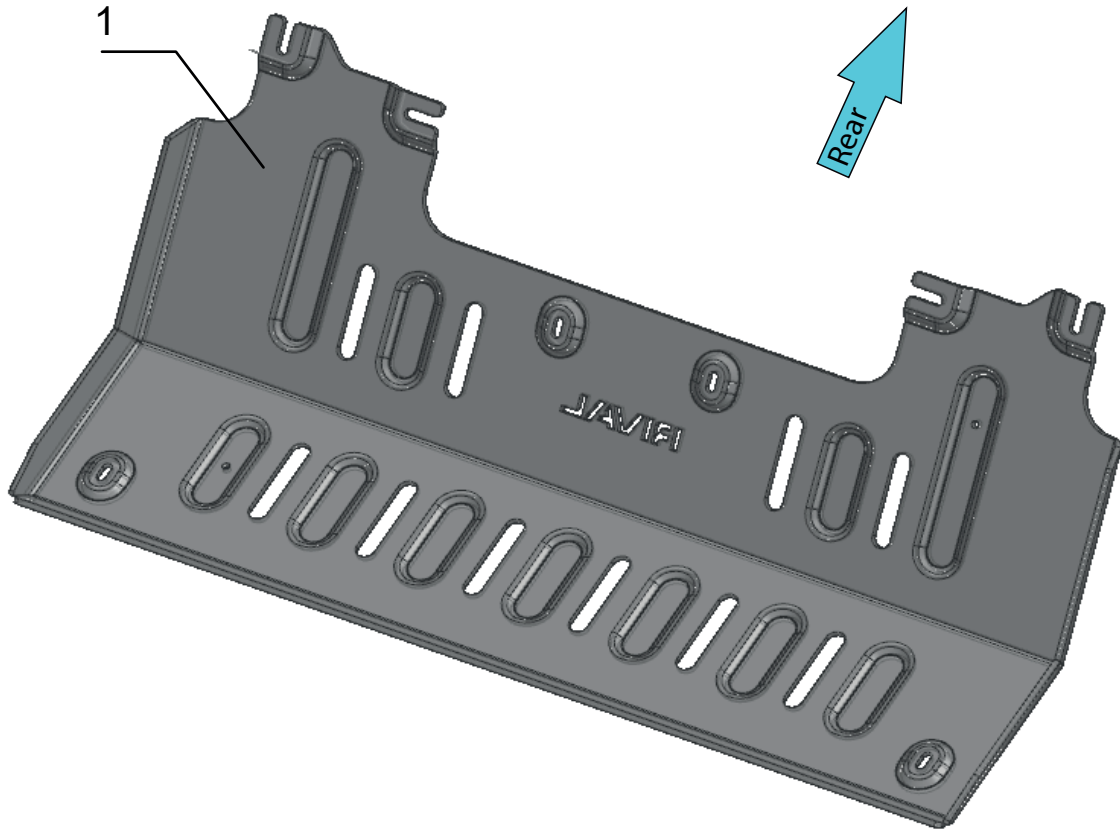
- \* The RIVAL skid plate must be mounted to the vehicle according to this installation manual.
- \* Personal safety during the installation process must be adhered to at all times.
- \* Do not install this skid plate on vehicle models other than those listed in this manual.
- \* Estimated time for installation: 1 hour.

## REQUIRED TOOLS

- \* Basic tool kit
- \* Torque wrench

## TORQUE SETTING

- \* M8 - 24 N·m (17.7 lb/ft)



1. Skid plate.....Qty 1

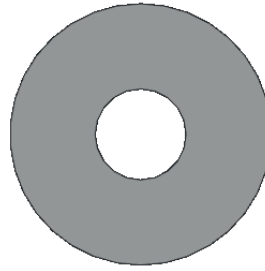
# PARTS LISTING



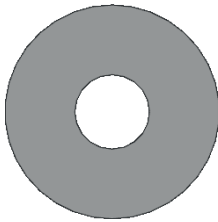
A



C



B



A. Bolt M8x1x25.....	Qty 8
B. Washer M8.....	Qty 8
C. Washer M10.....	Qty 4

**\*If equipped, remove factory skid plate or other aftermarket skid plate.**

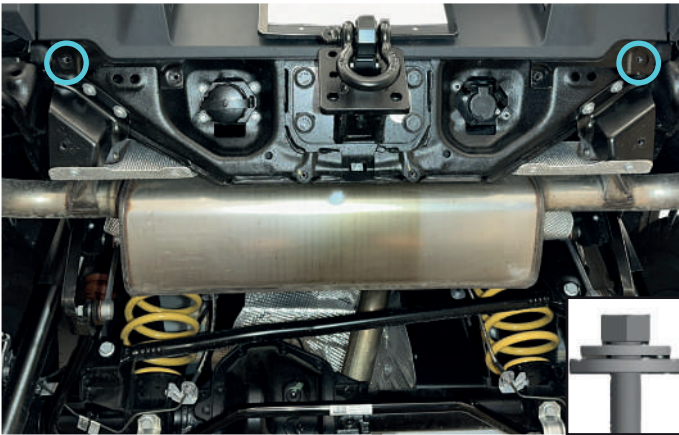


Fig. 1

1. Loosely install supplied M8x1x25 bolts with M8 and M10 washers (items A, B,C) as shown in fig.1.

**\*Do not tighten.**

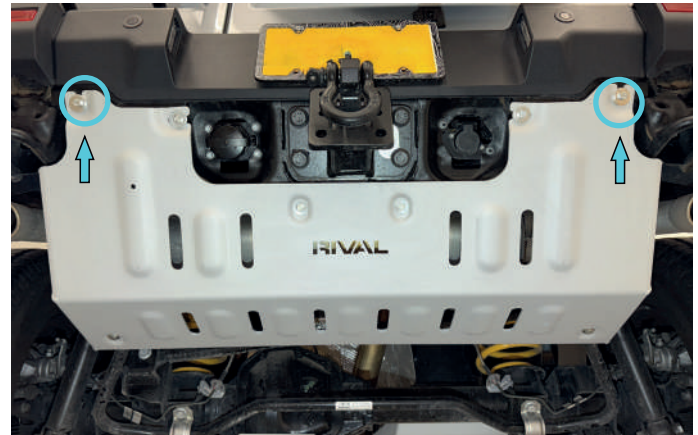


Fig. 2

2. Slide rear part of muffler skid plate(item 1) to previously installed bolts and secure using M8x1x25 bolts with M8 & M10 washers (items A,B,C) as shown in fig.2.

**\*Do not tighten.**

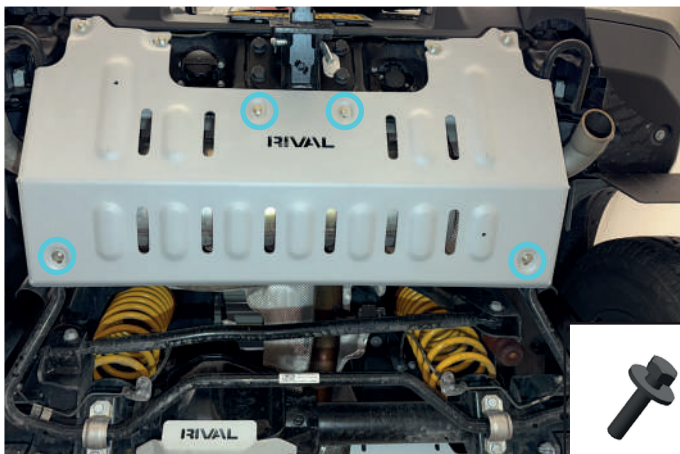


Fig. 3

3. Secure front and middle parts of the muffler skid plate (item 1) using M8x25 bolts and M8 washers (items A,B) as shown in fig.3

**\*Do not tighten.**

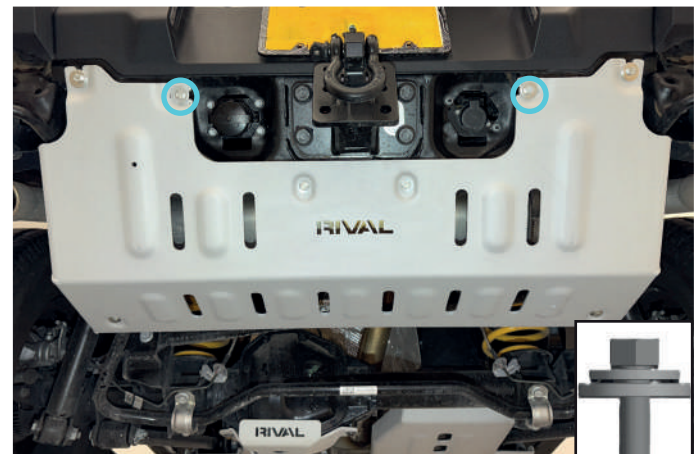


Fig. 4

4. Install hardware to remaining mounting points for the muffler skid plate (item 1) using M8x1x25 bolts, M8 and M10 washers (items A,B,C) as shown in fig.4

**\*Once all bolts are installed, check skid plate alignment and tighten all previously installed hardware.**

Before operating a vehicle fitted with RIVAL Skid Plate:

- make sure all hardware tightened;
- ensure the integrity of the structure and its components.

