

Mountain Top® Roll

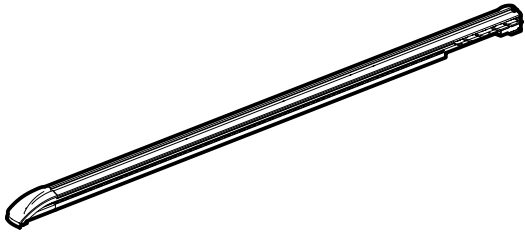
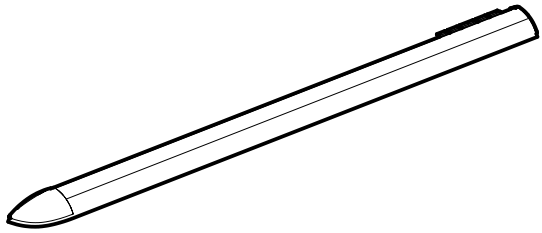
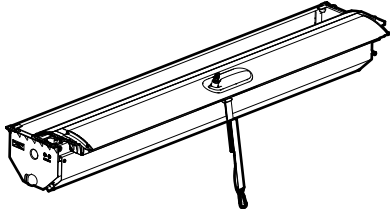
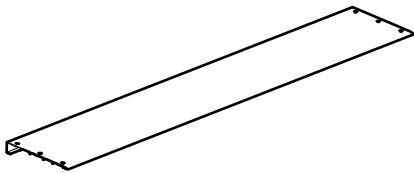
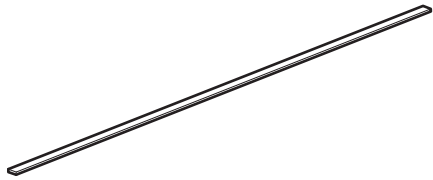
Installation manual



DOWNLOAD PDF


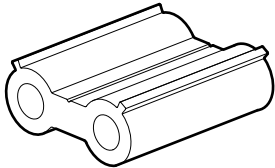
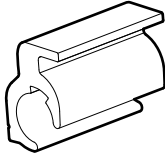
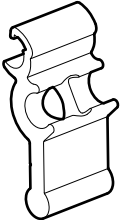
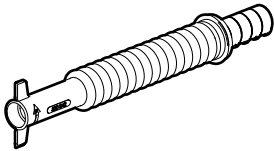
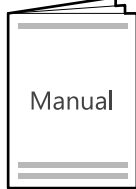



Parts

<p>A</p>  <p>x 1</p>	<p>B</p>  <p>x 1</p>	
<p>C</p>  <p>x 1</p>	<p>D</p>  <p>x 1</p>	<p>E</p>  <p>x 1</p>

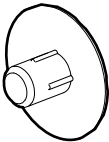


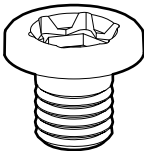
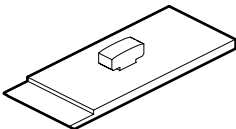

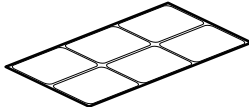
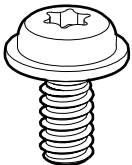


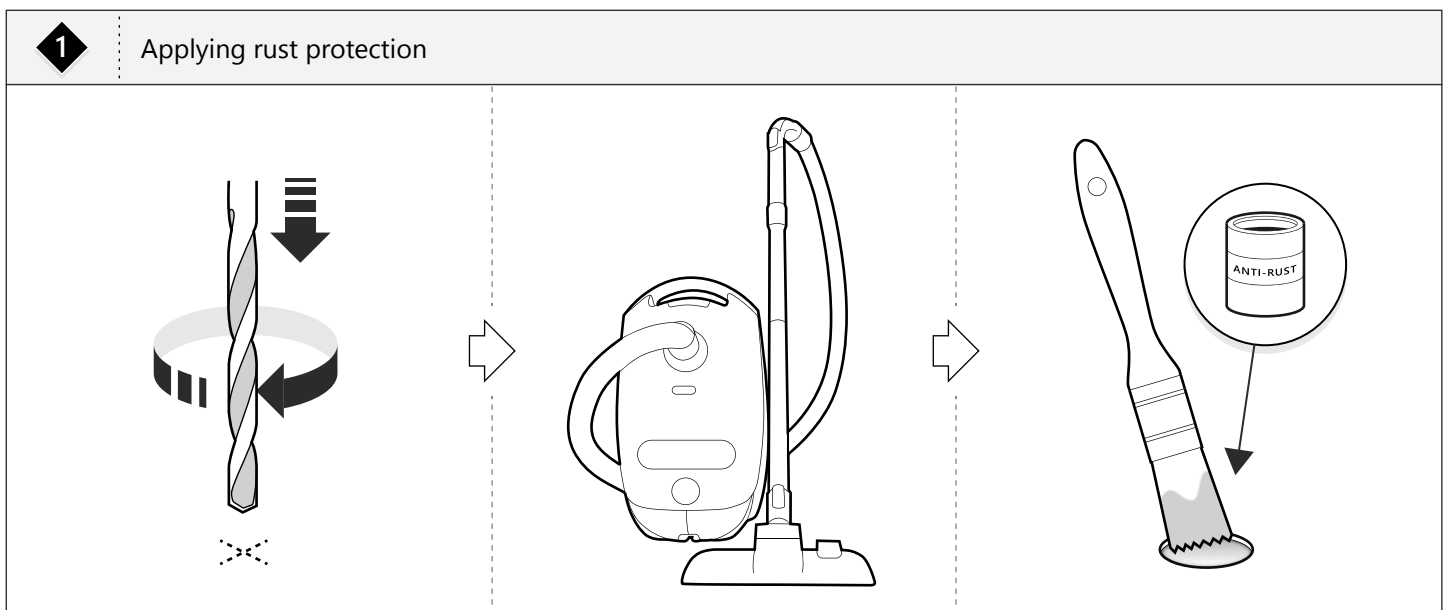
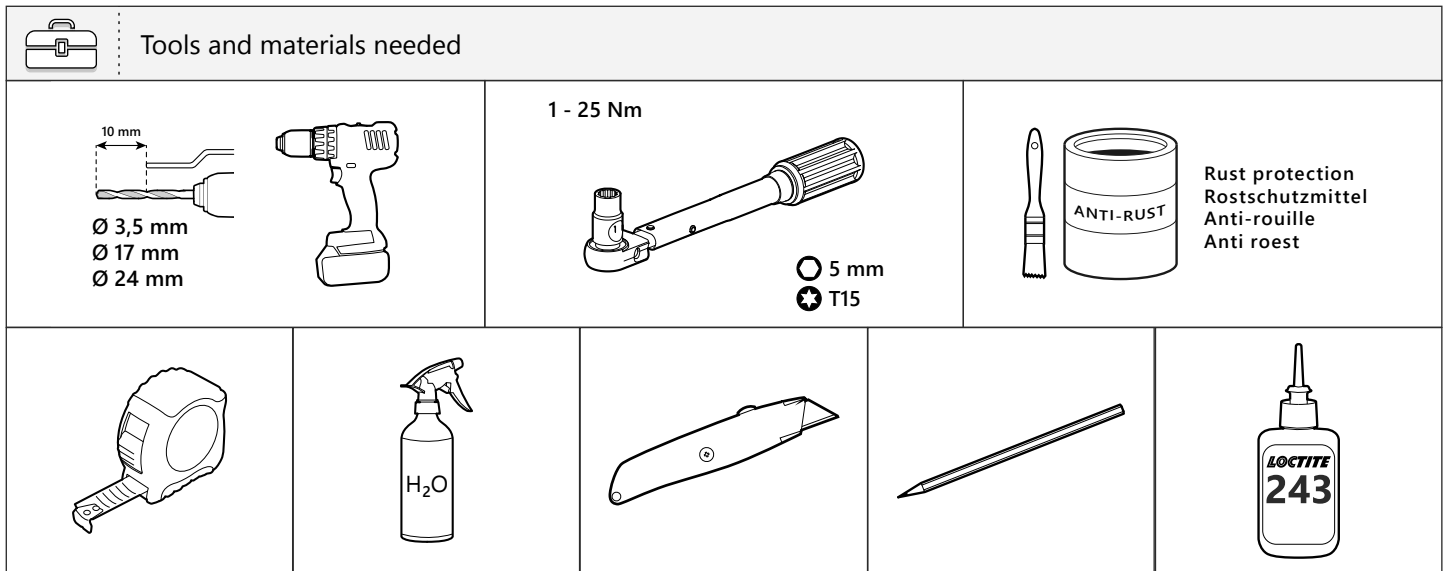
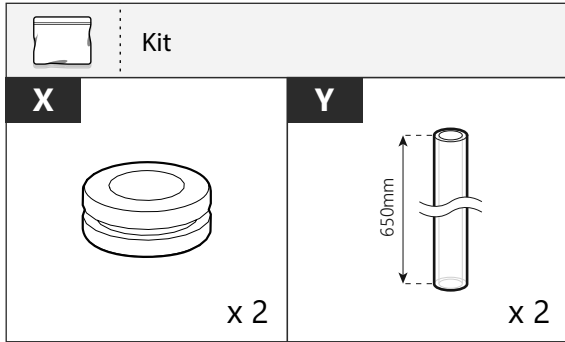
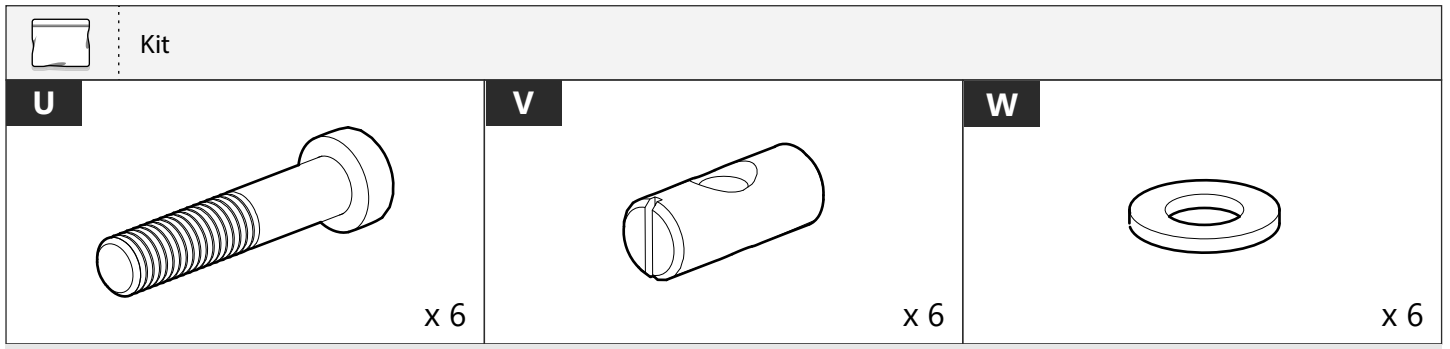
Kit

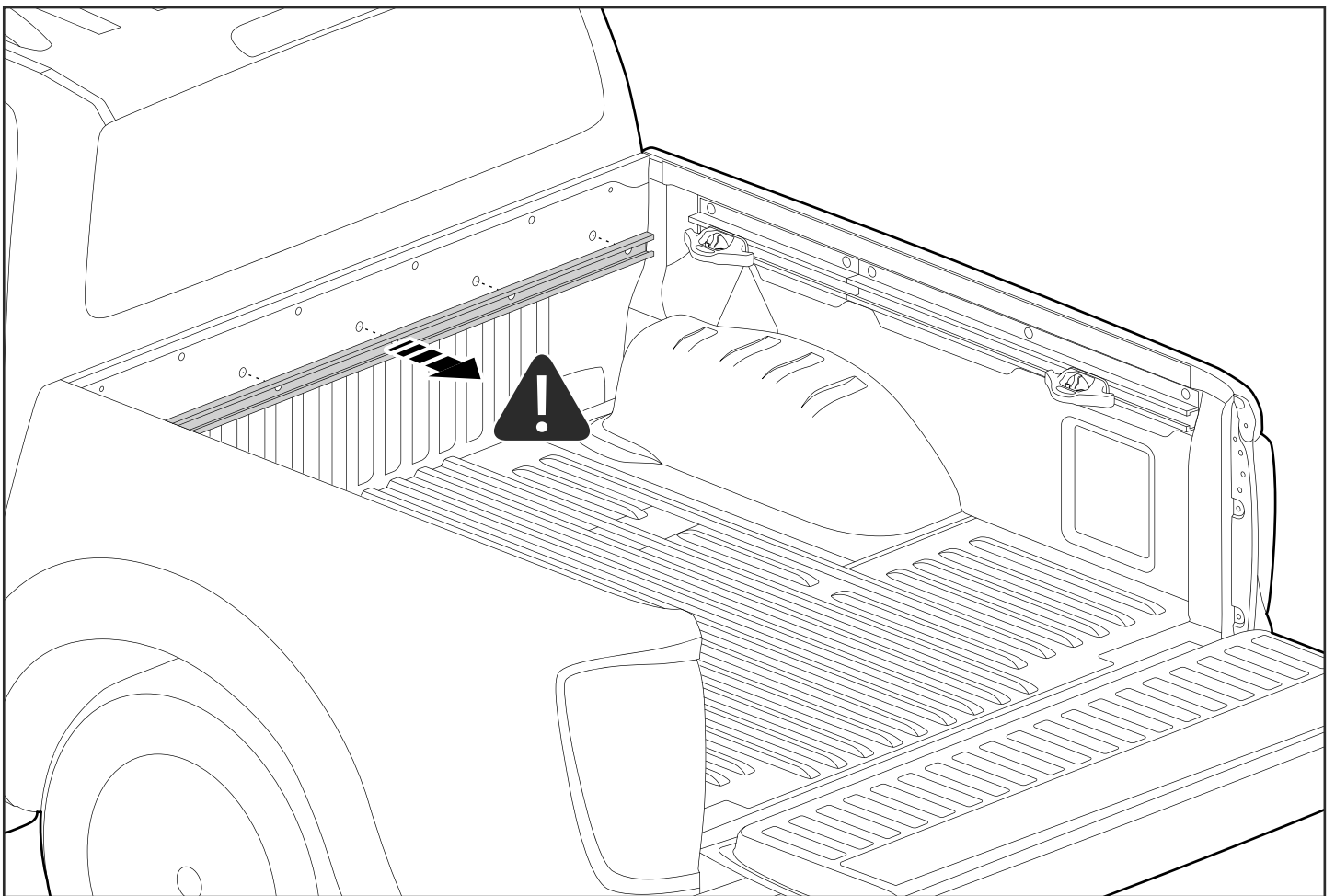
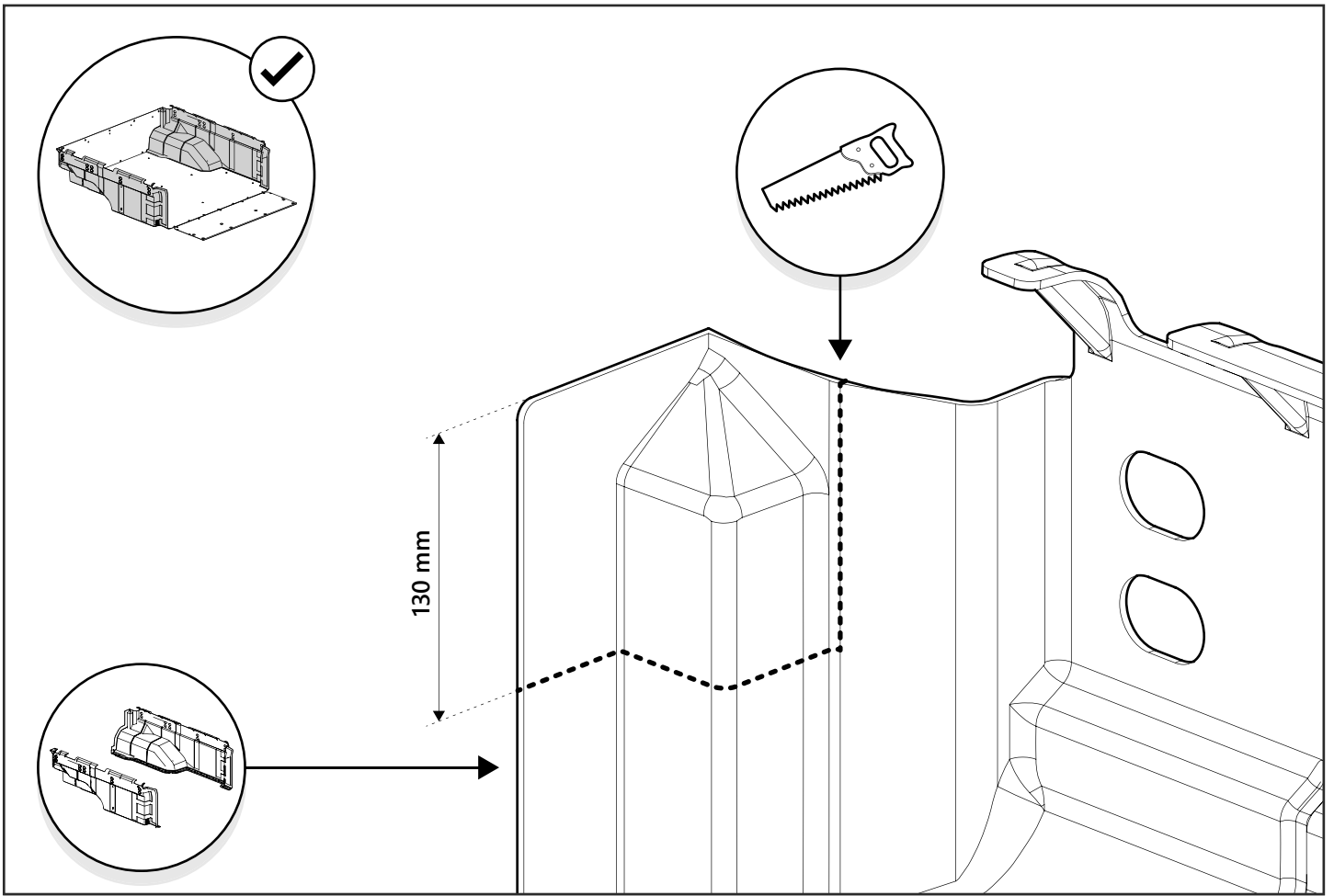
<p>F</p>  <p>x 6</p>	<p>G</p>  <p>x 6</p>	<p>H</p>  <p>x 6</p>	
<p>I</p>  <p>x 6</p>	<p>J</p>  <p>x 2</p>	<p>K</p>  <p>x 1</p>	<p>L</p>  <p>x 1</p>

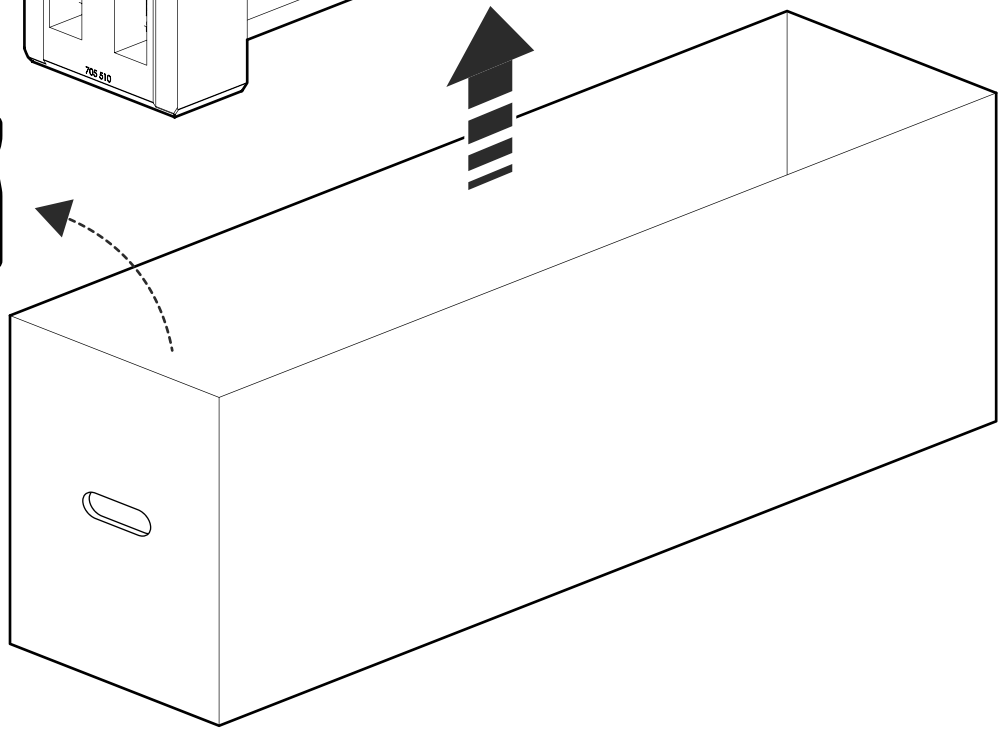
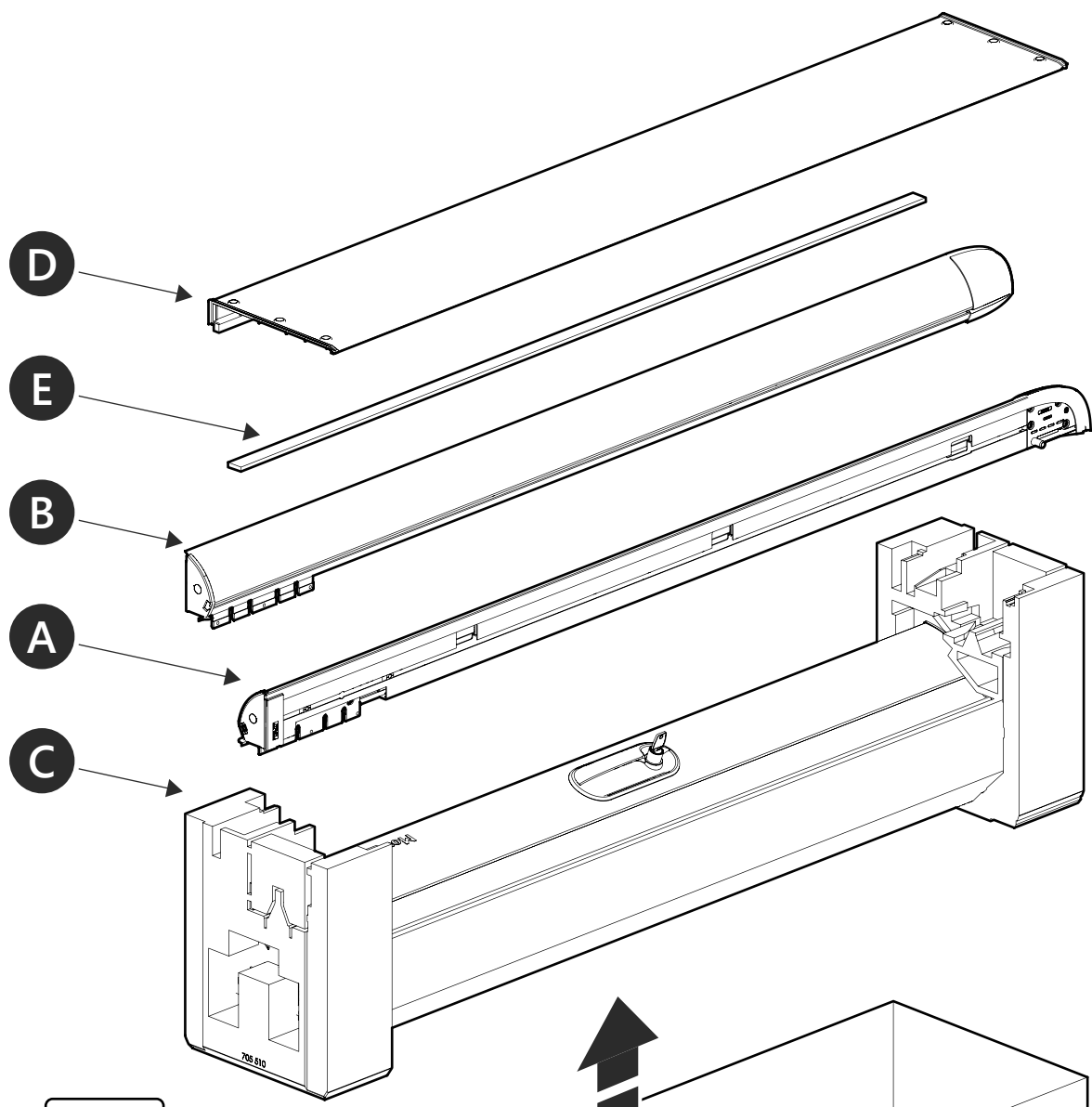


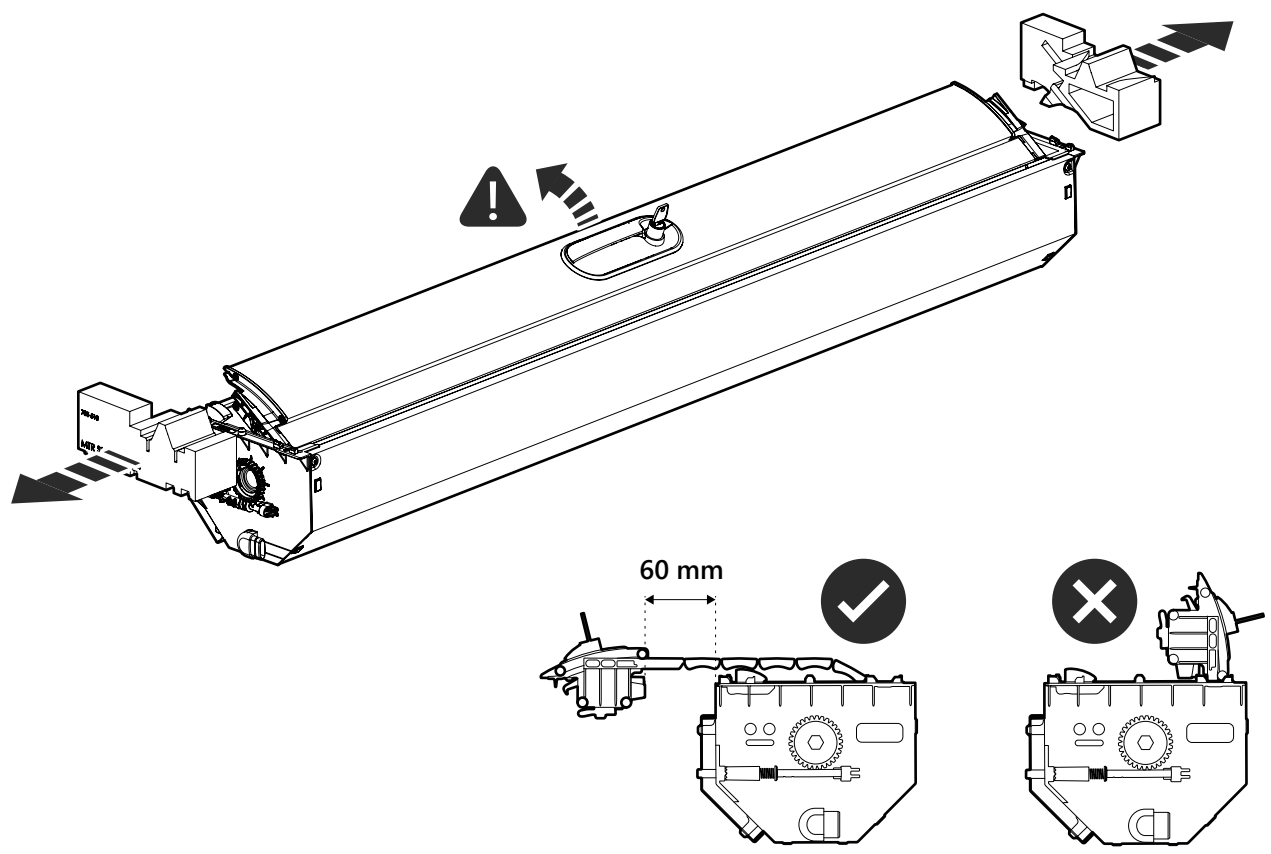
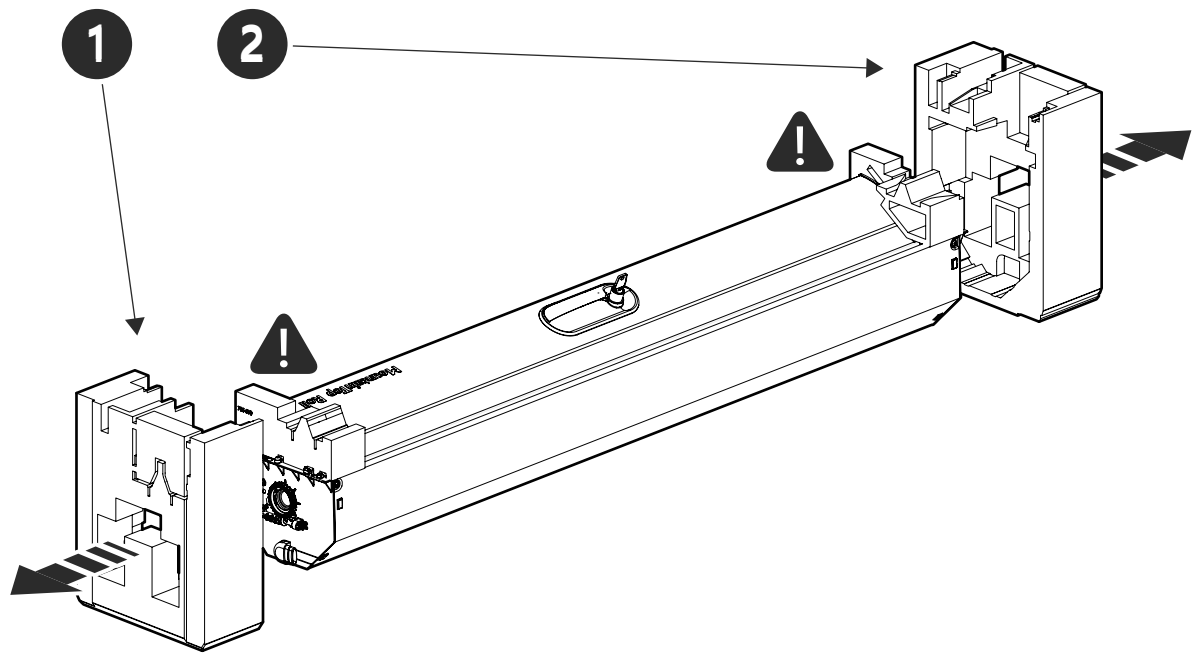
Kit

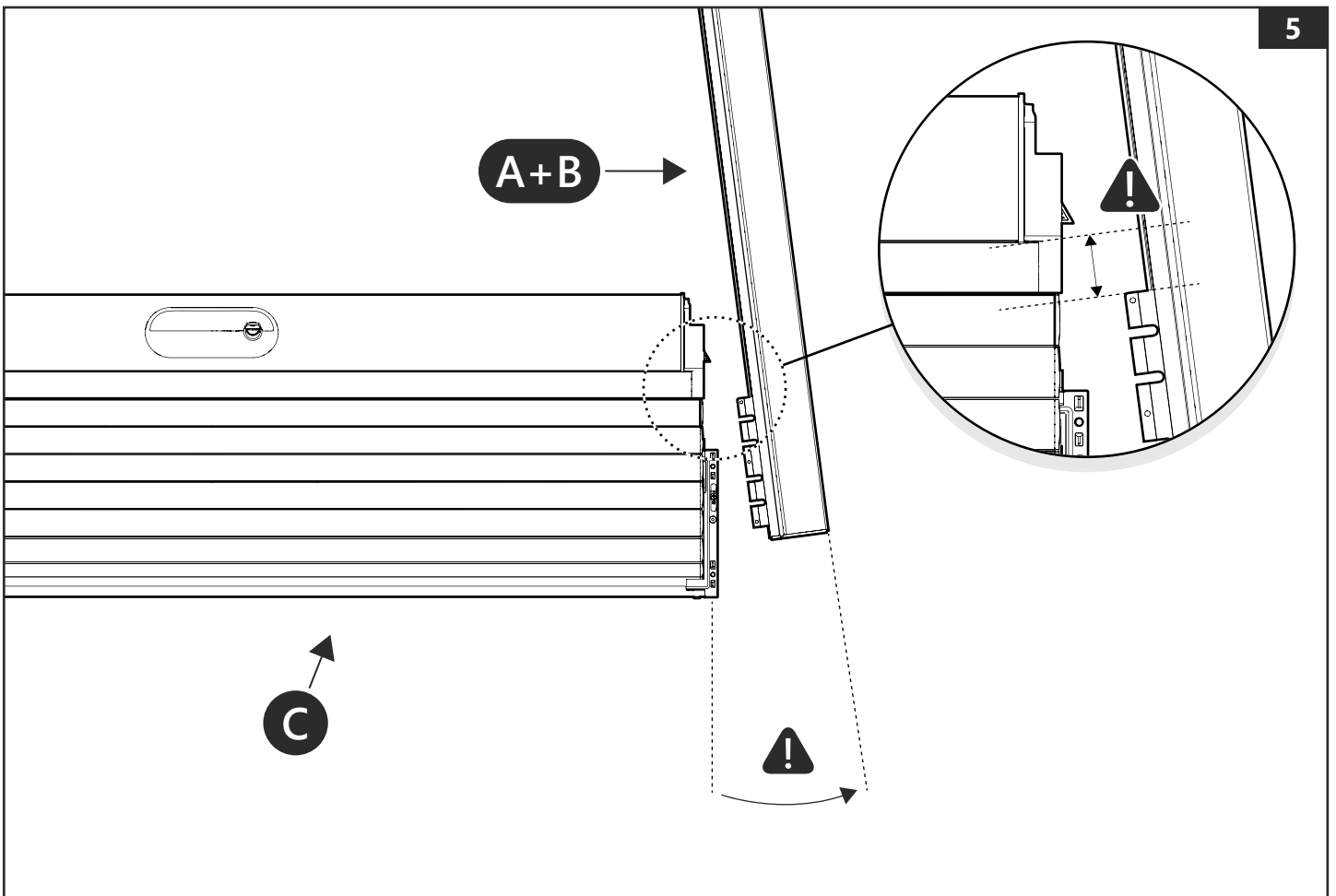
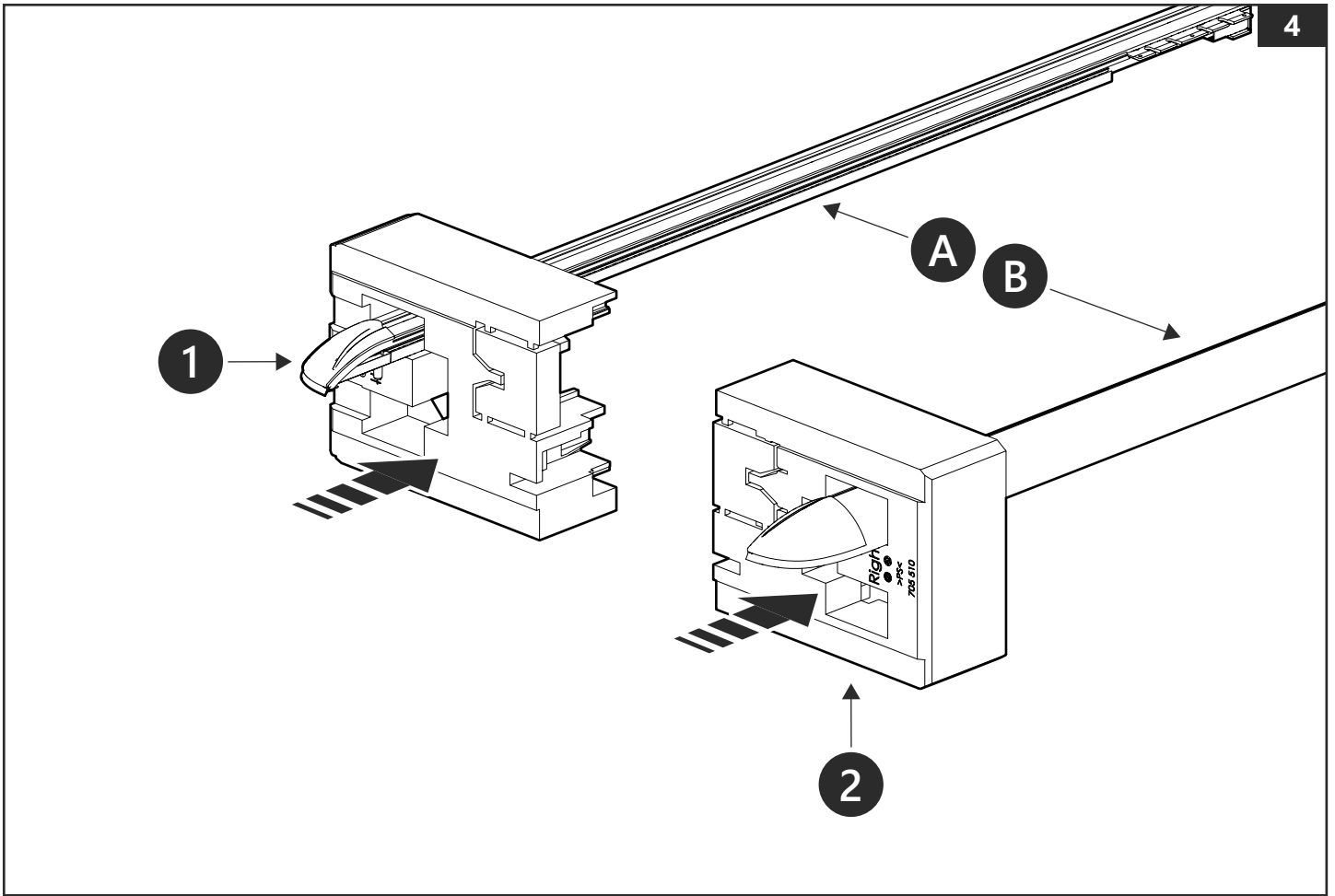
<p>M</p>  <p>x 24</p>	<p>N</p>  <p>x 6</p>	<p>O</p>  <p>x 6</p>	<p>P</p>  <p>x 6</p>
<p>Q</p>  <p>x 2</p>	<p>R</p>  <p>x 2</p>	<p>S</p>  <p>x 1</p>	<p>T</p>  <p>x 4</p>

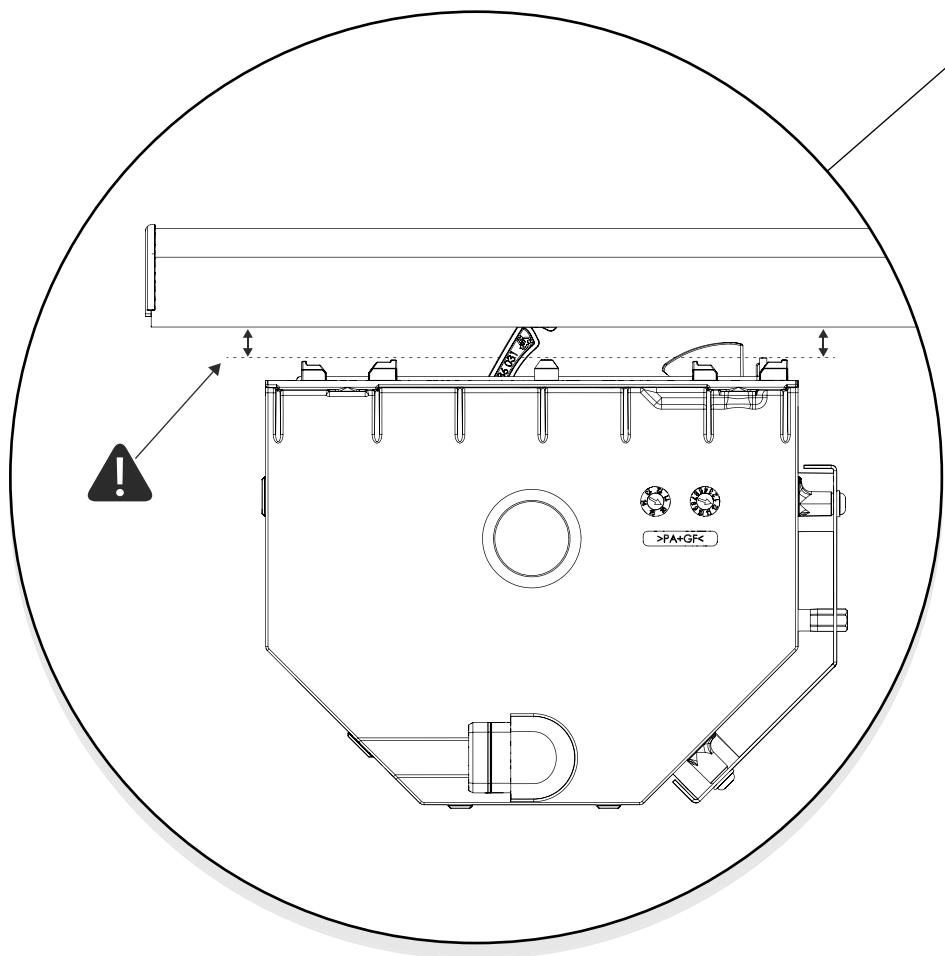
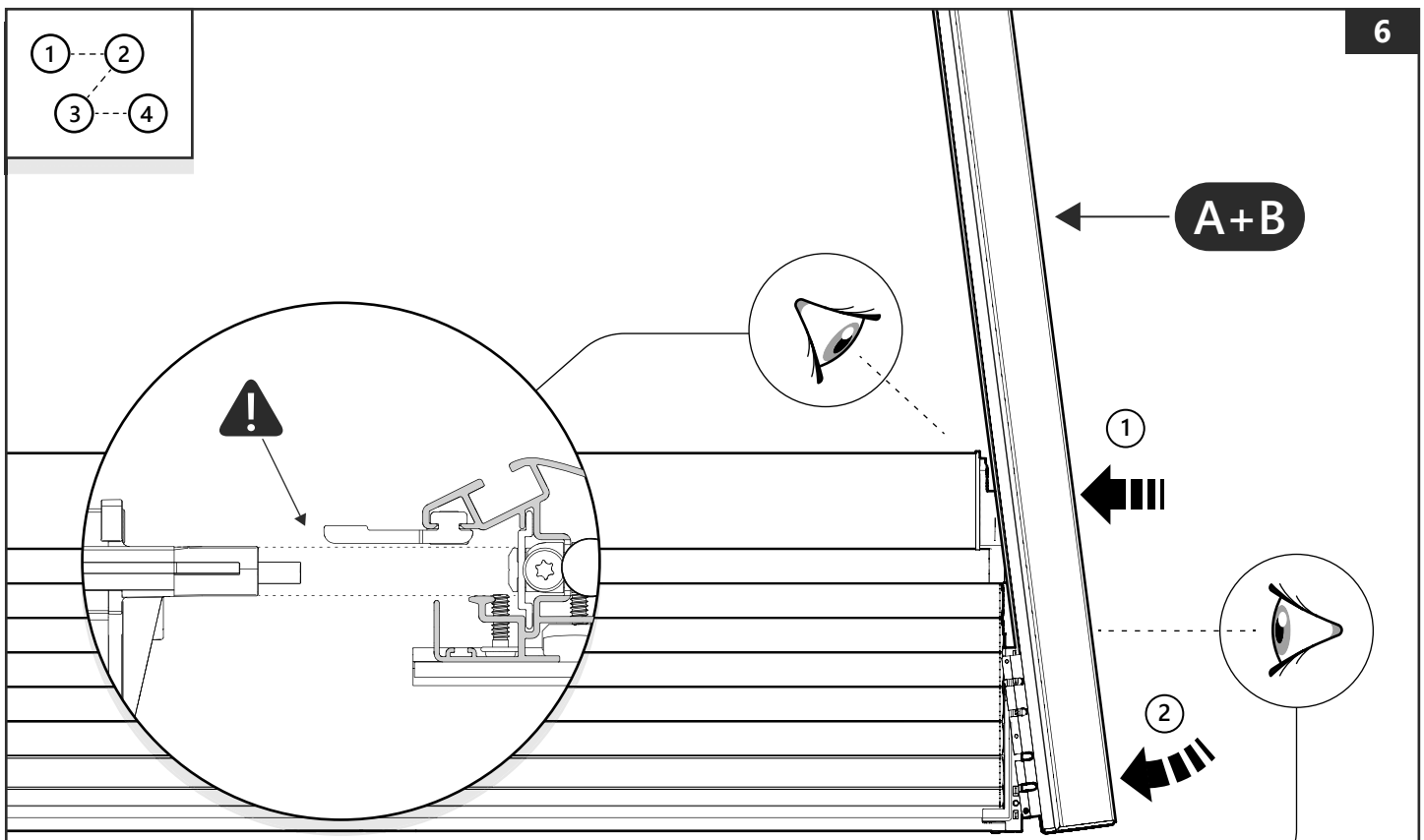
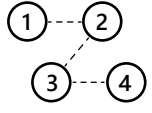


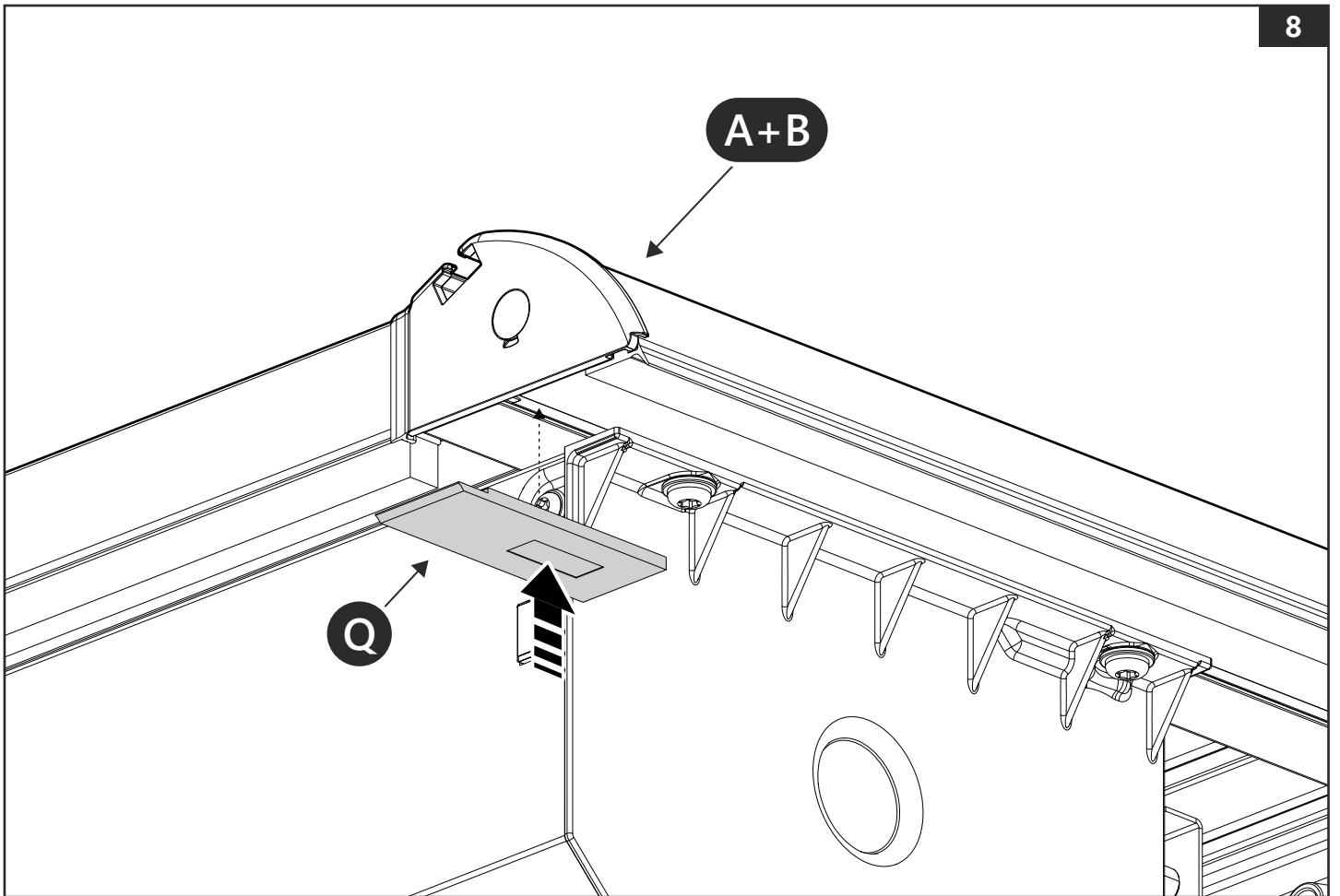
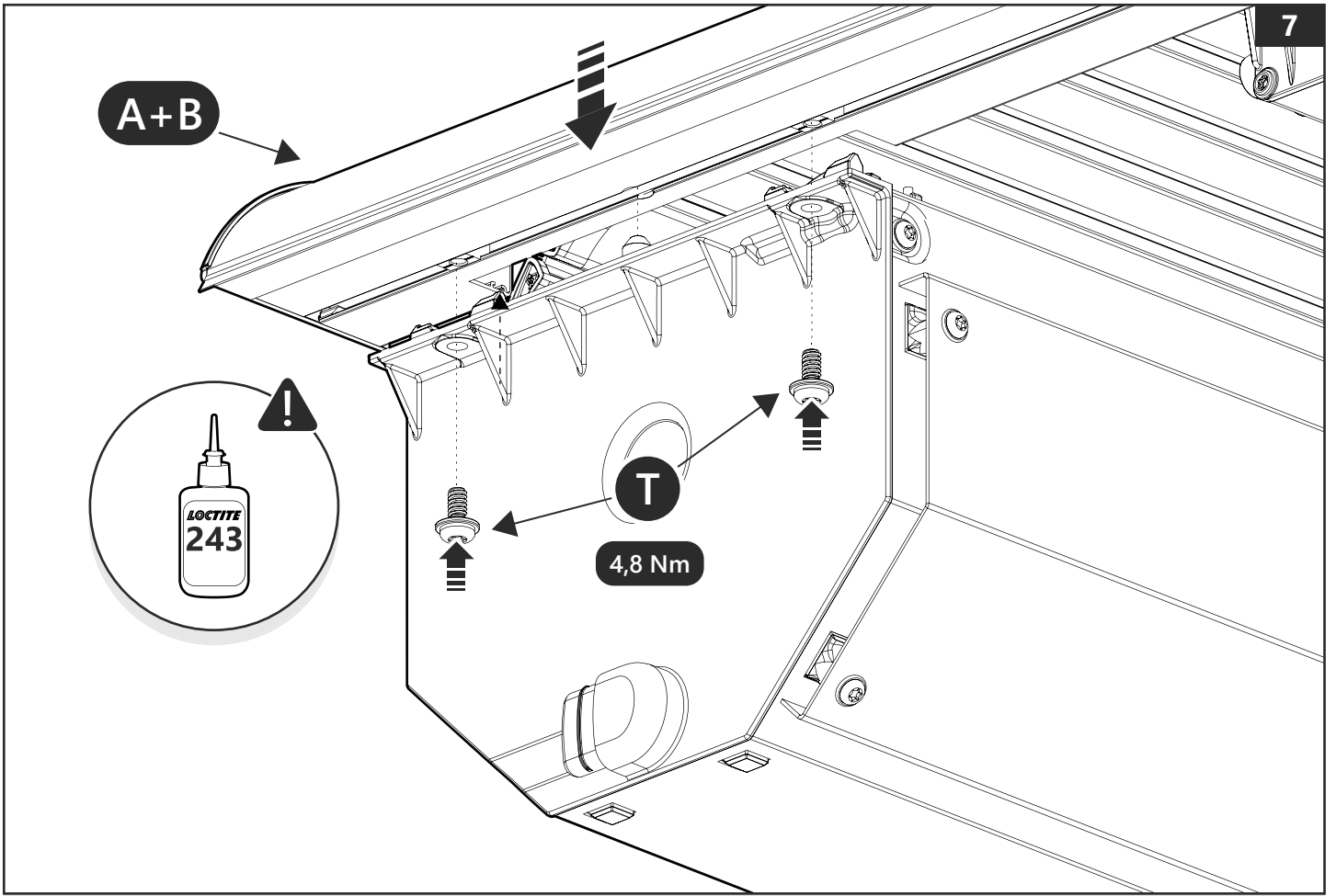


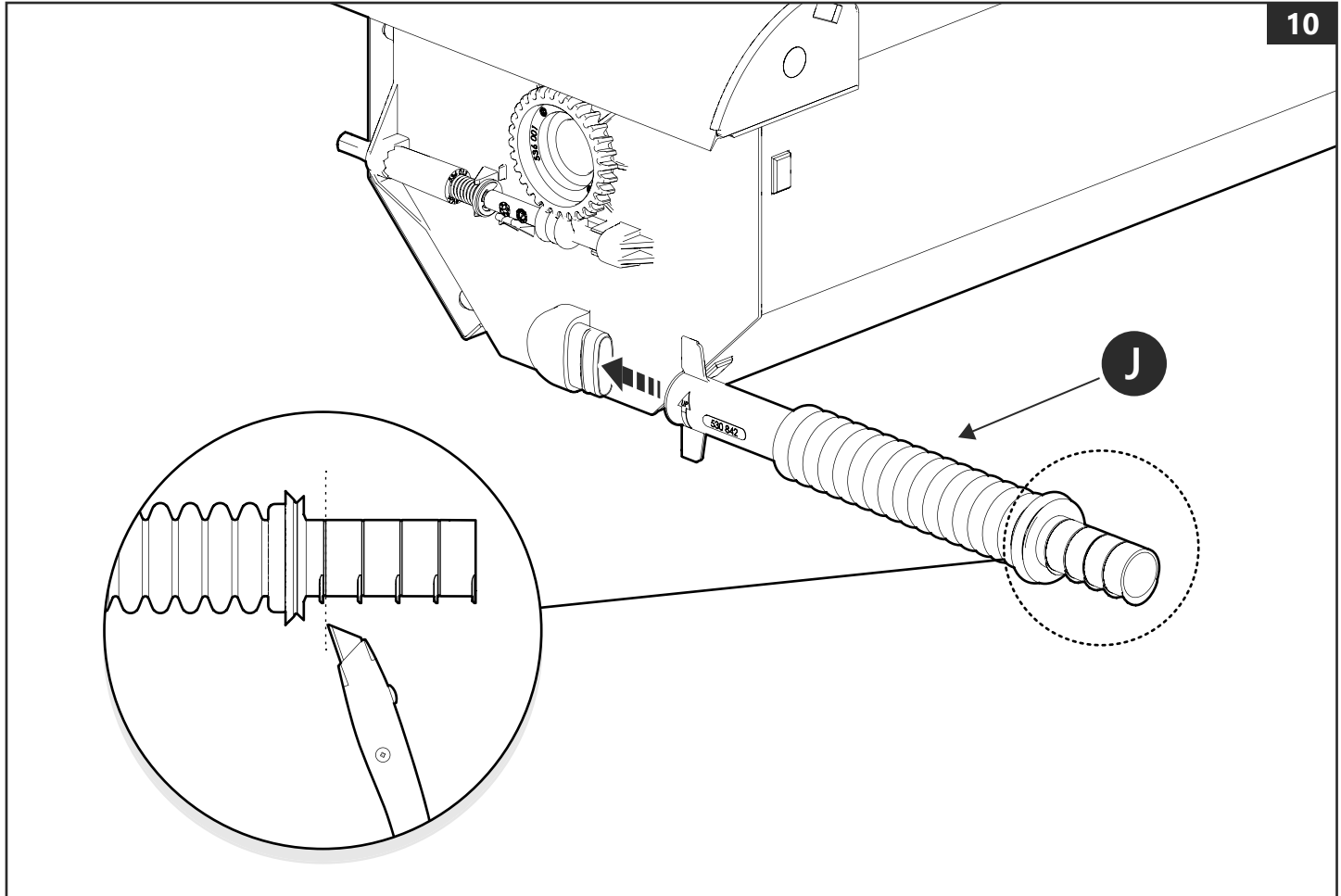
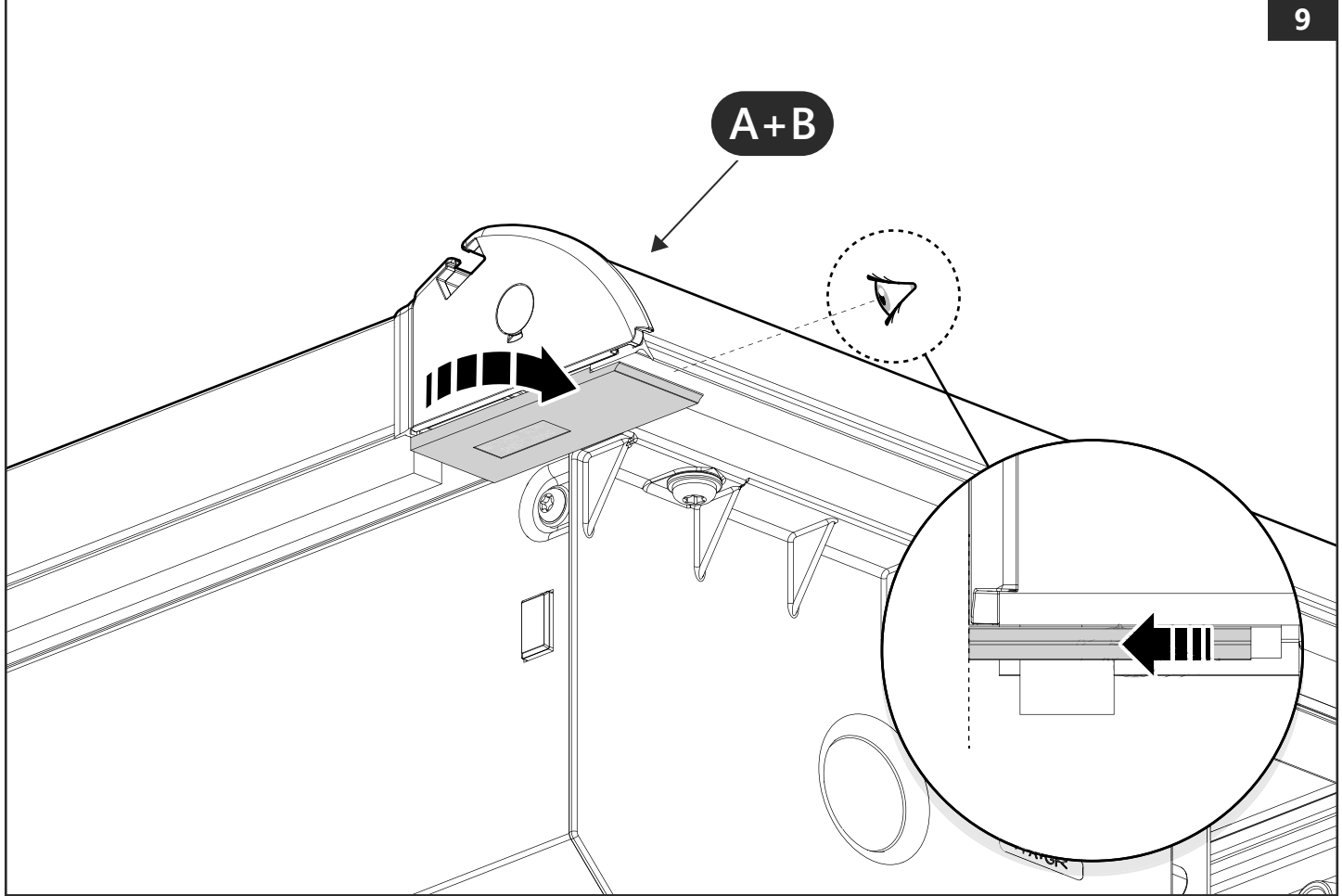


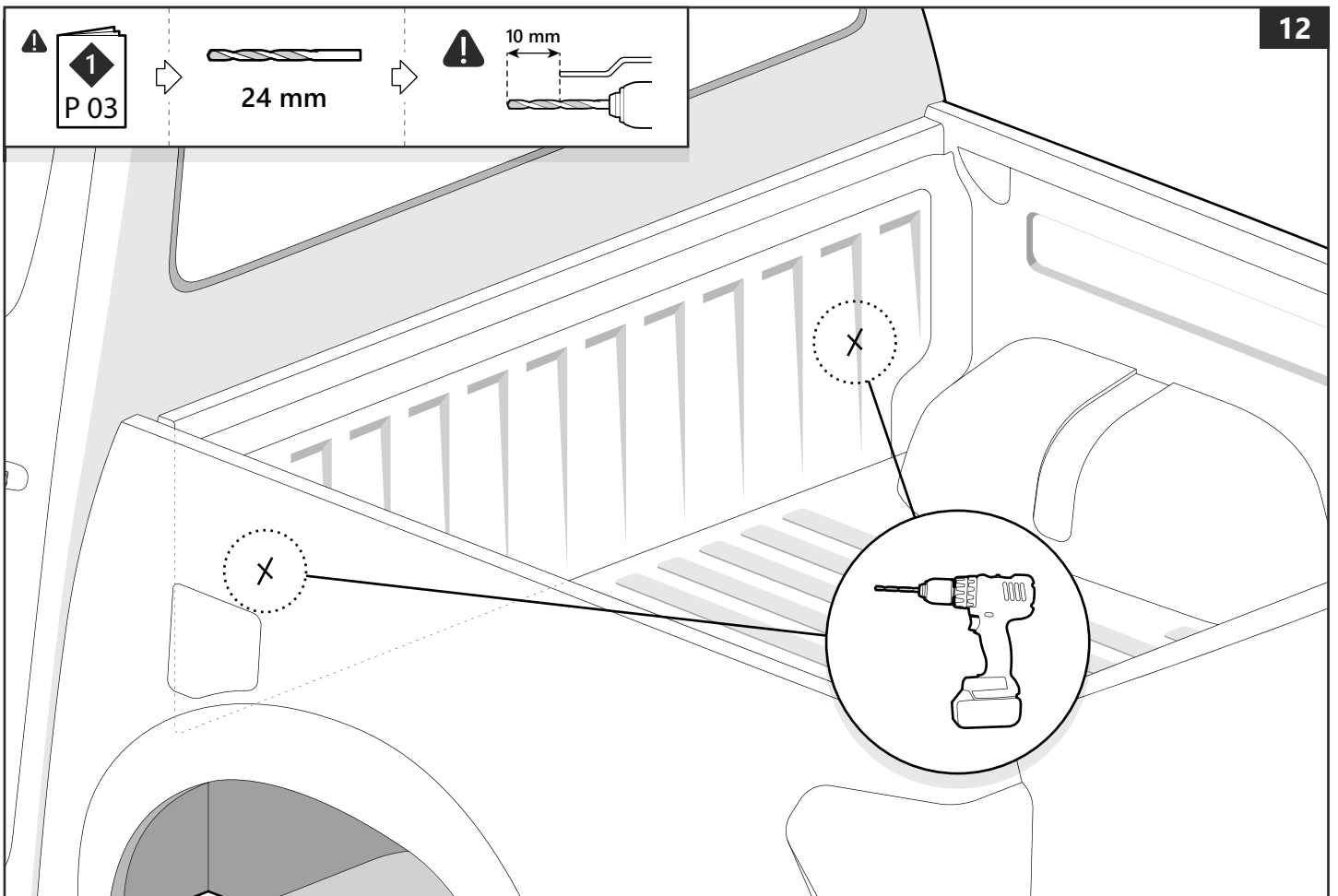
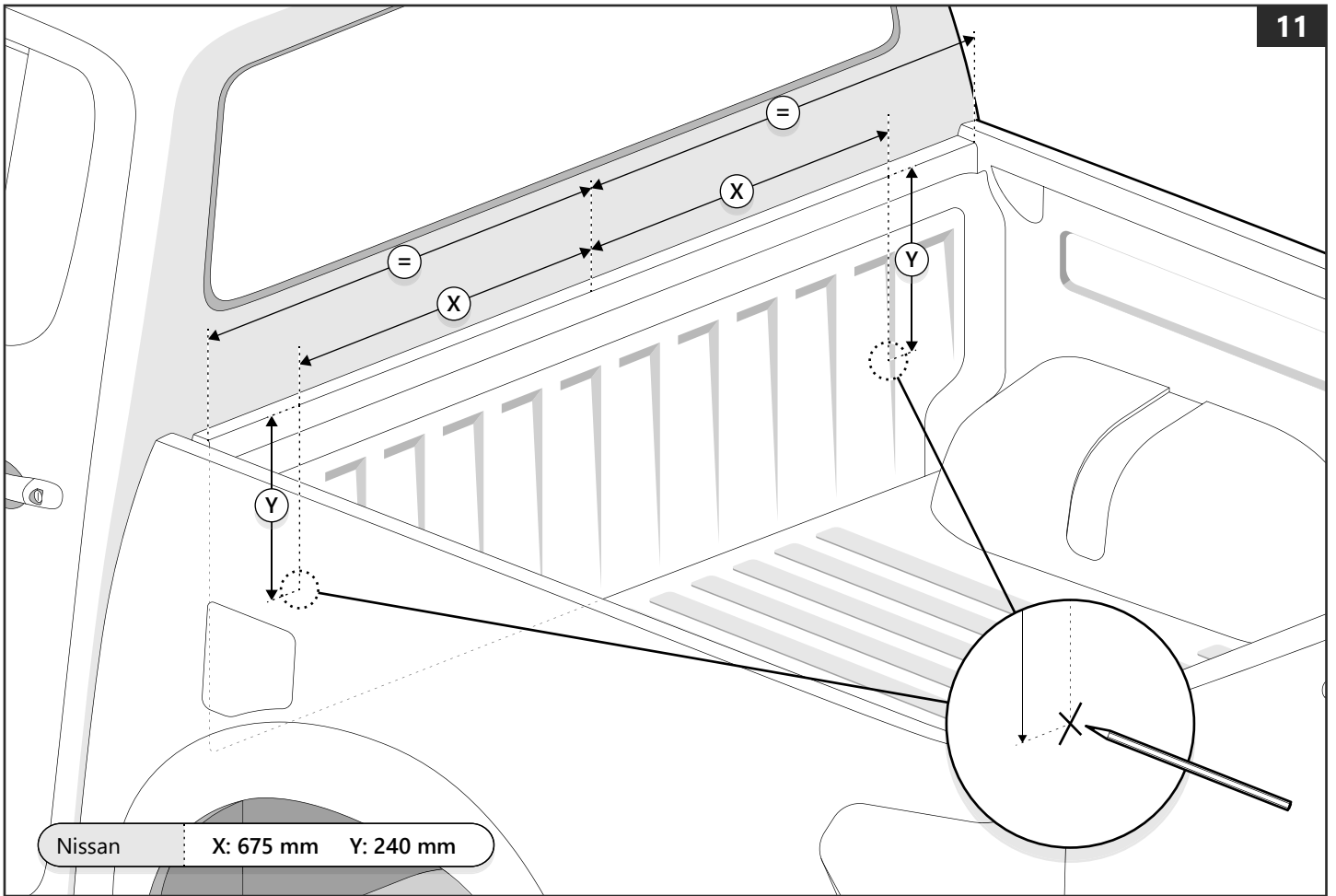


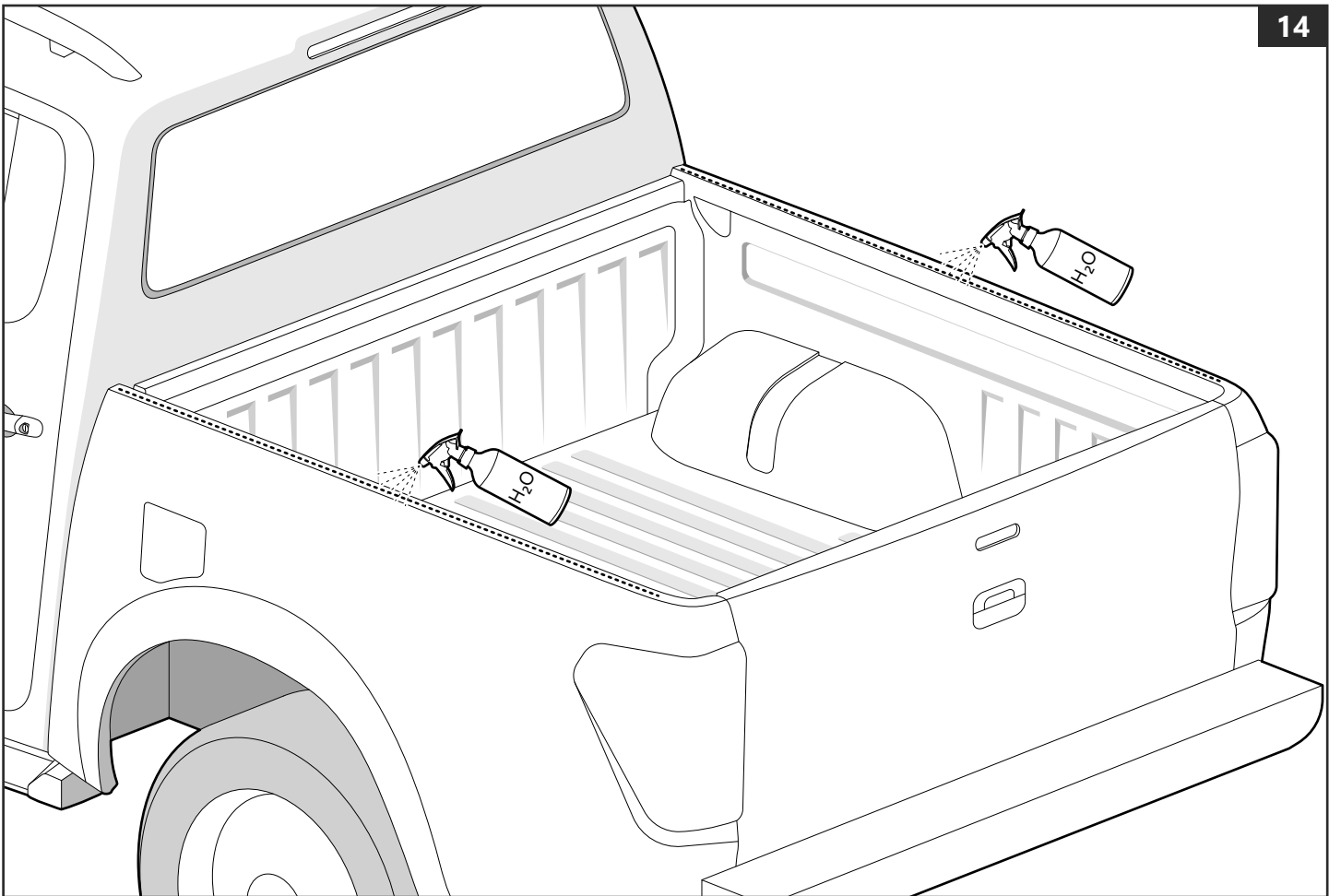
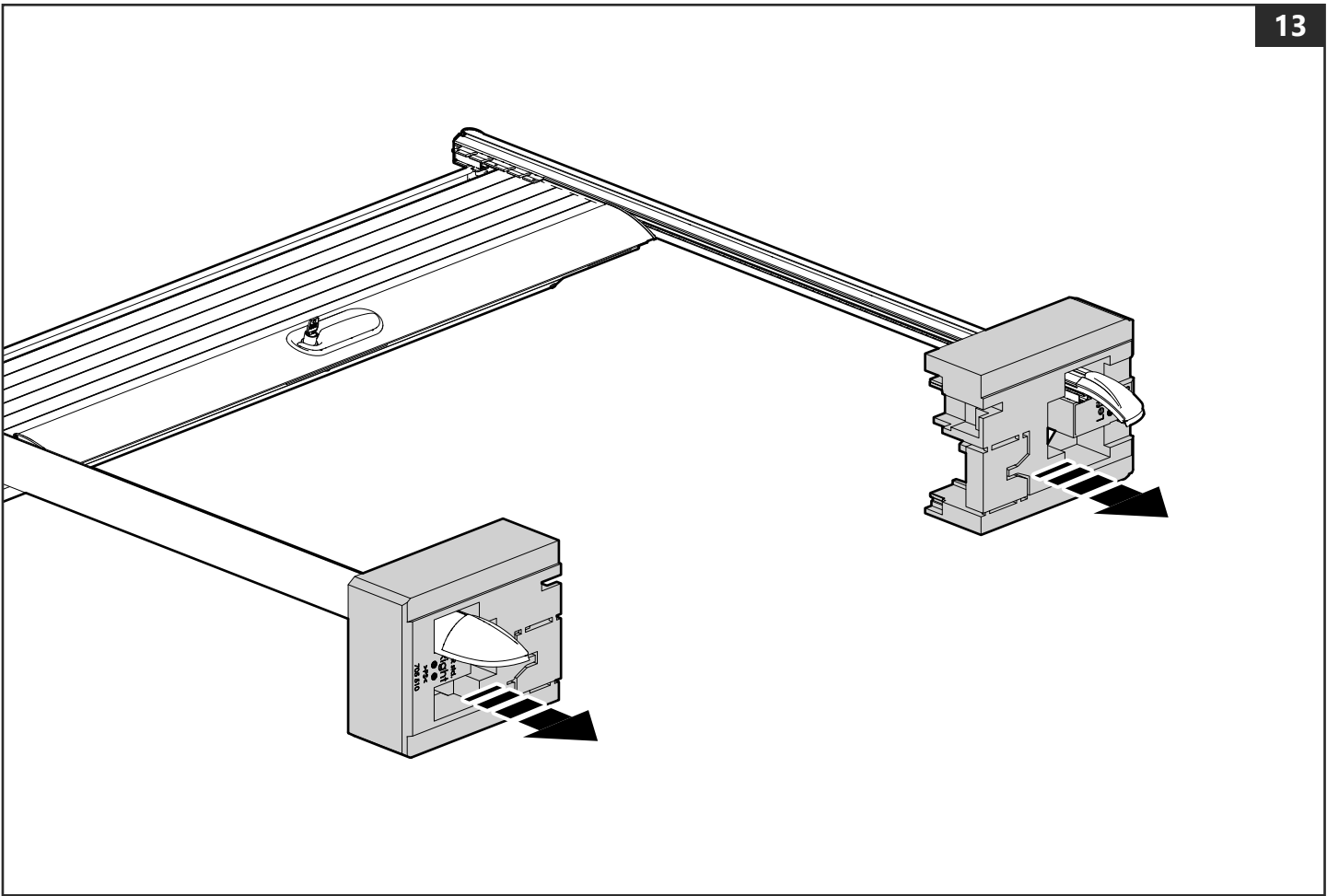


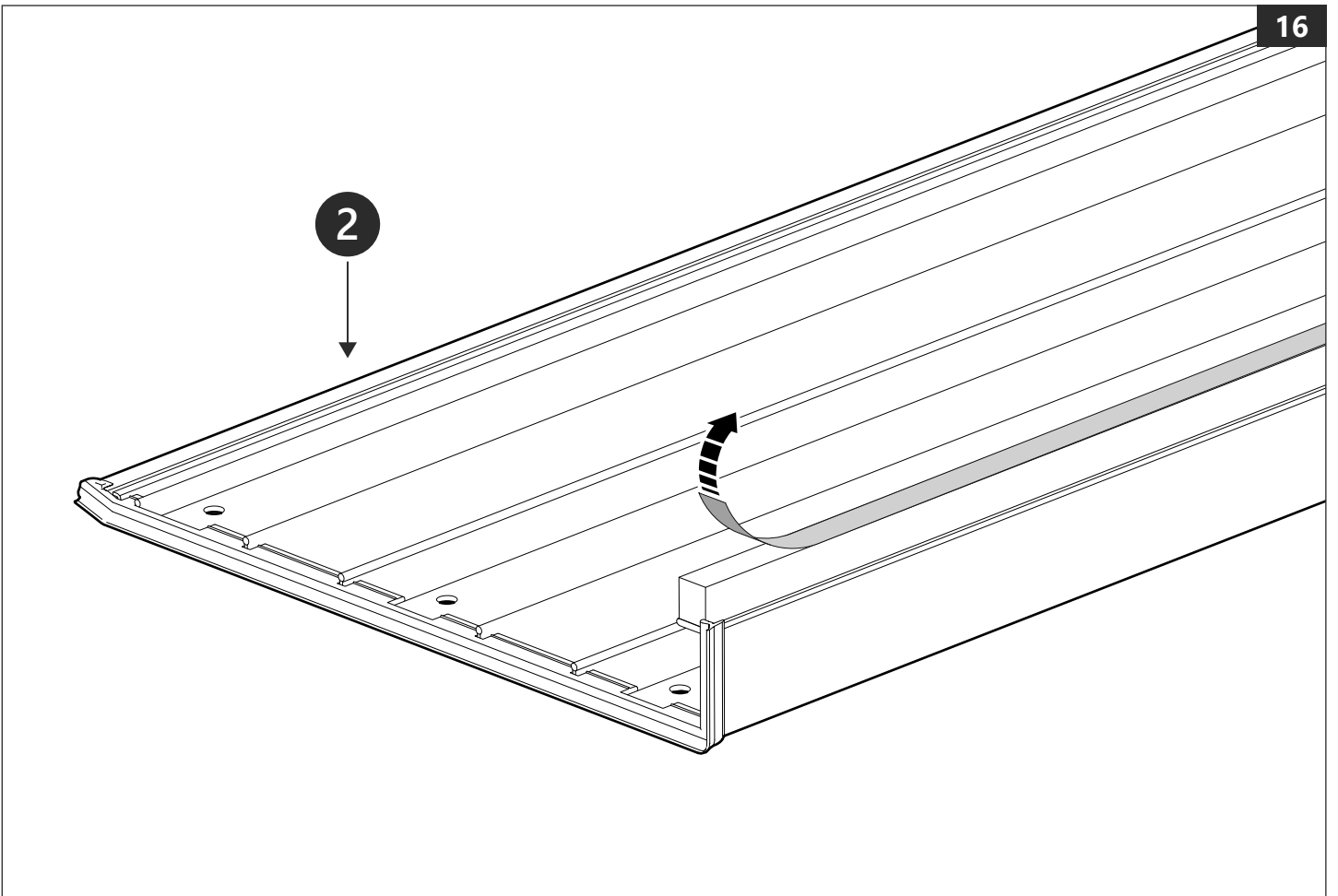
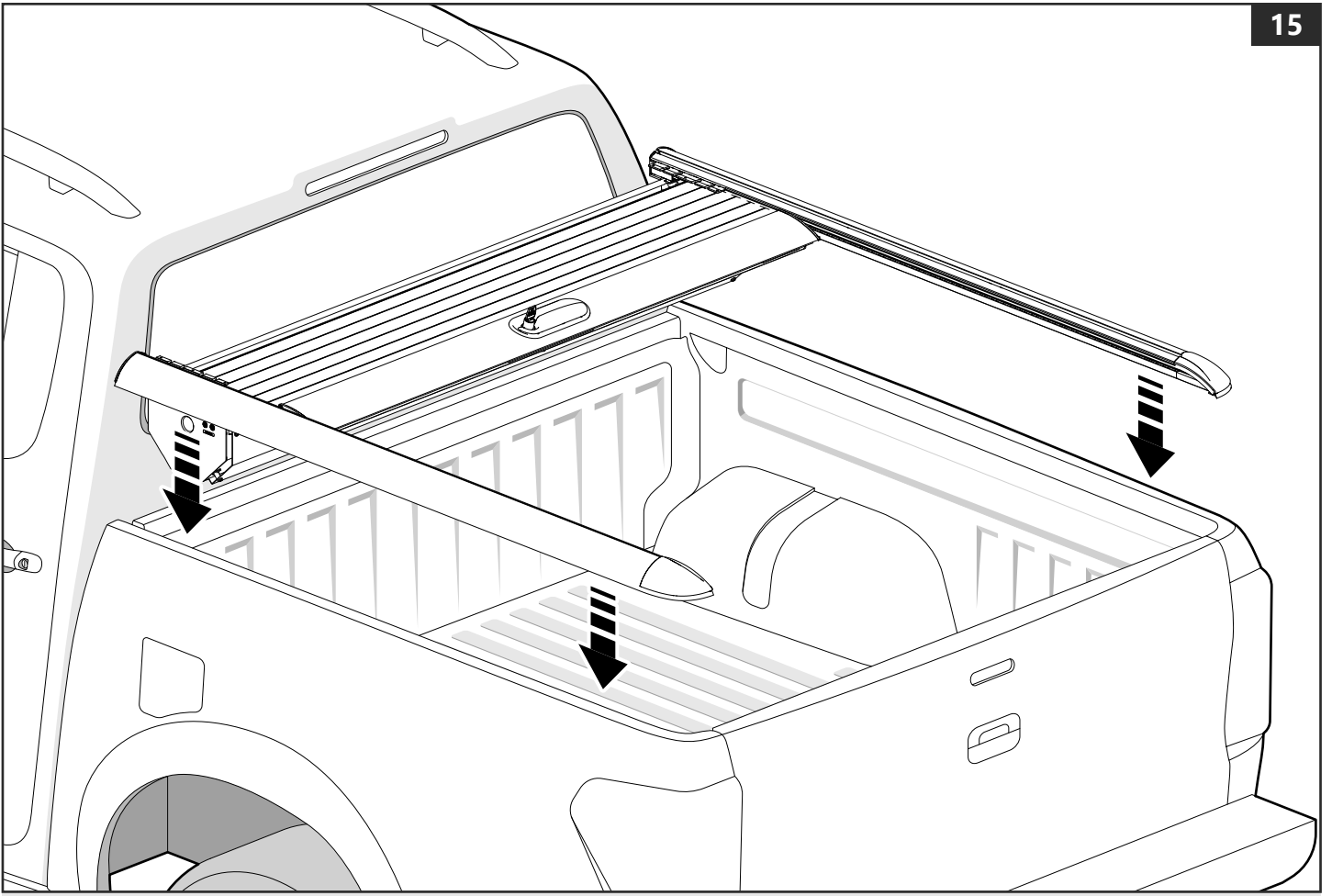


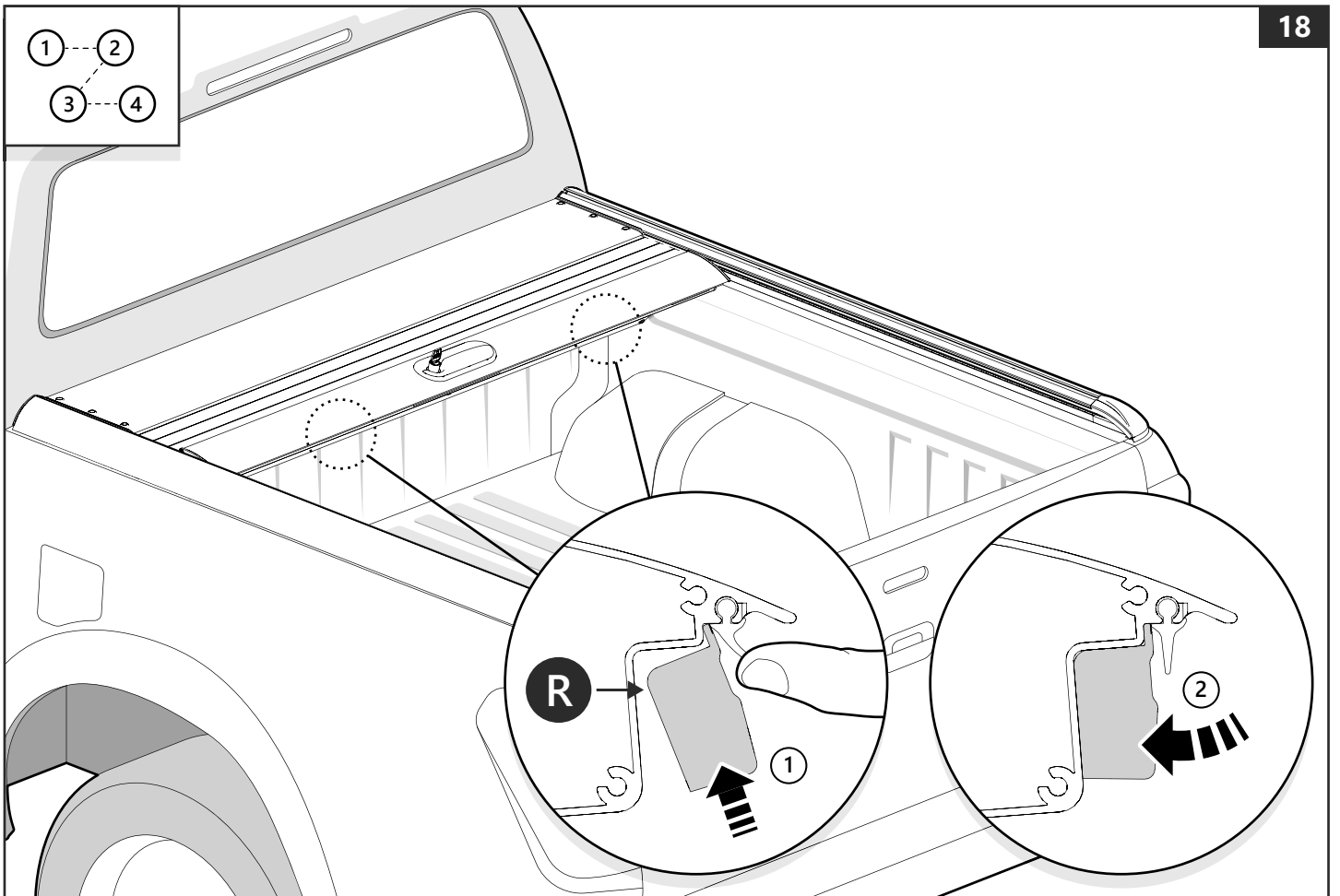
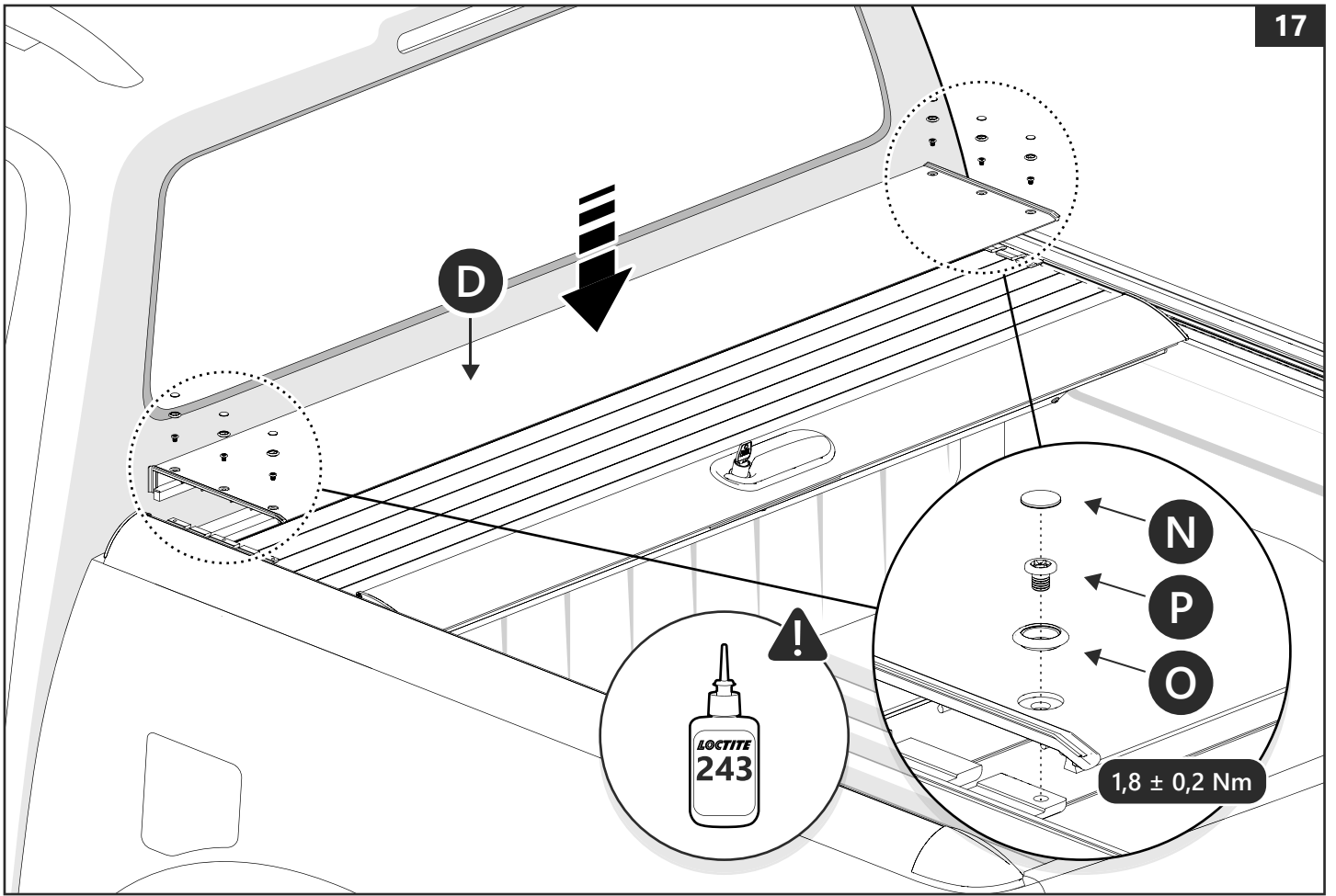


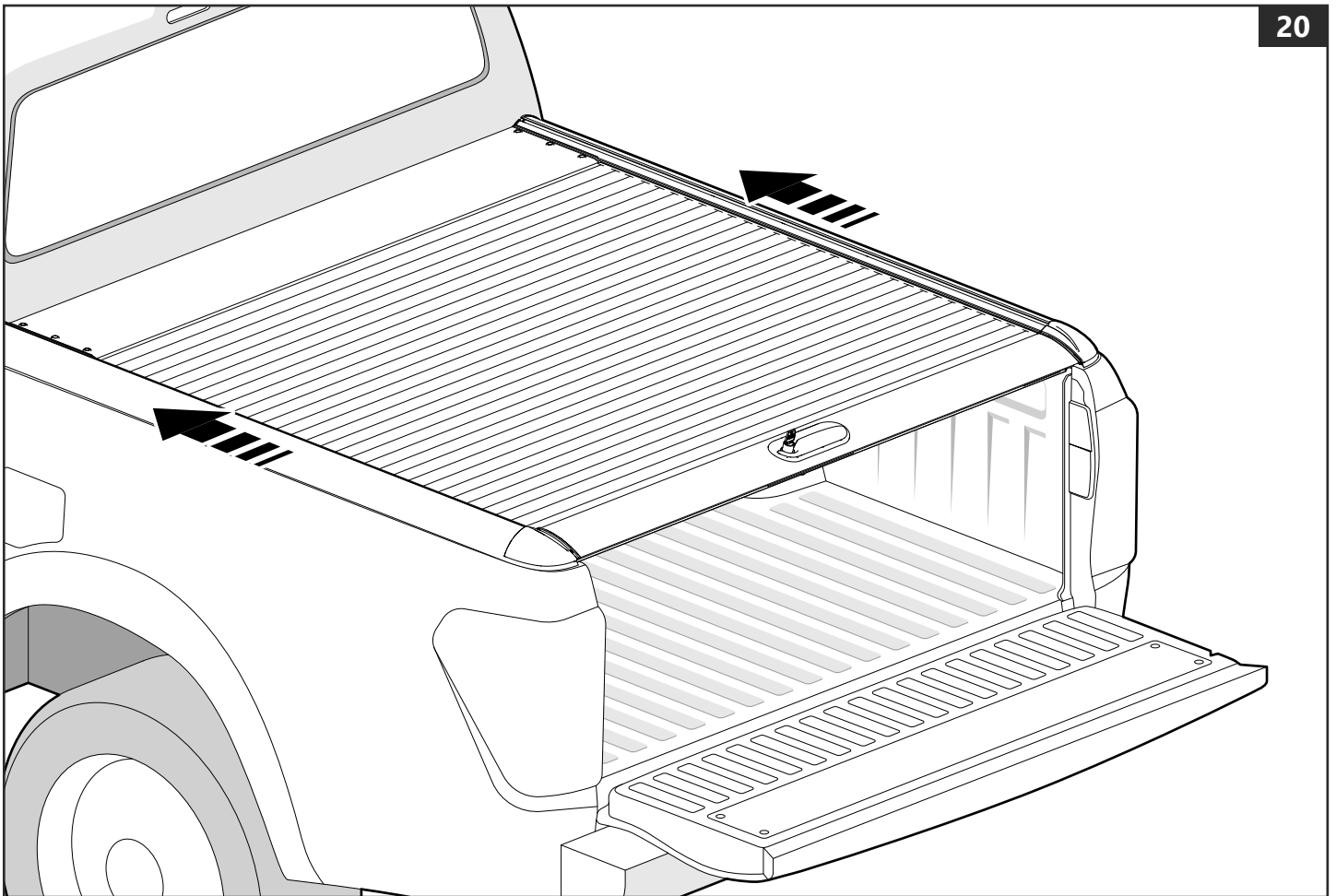
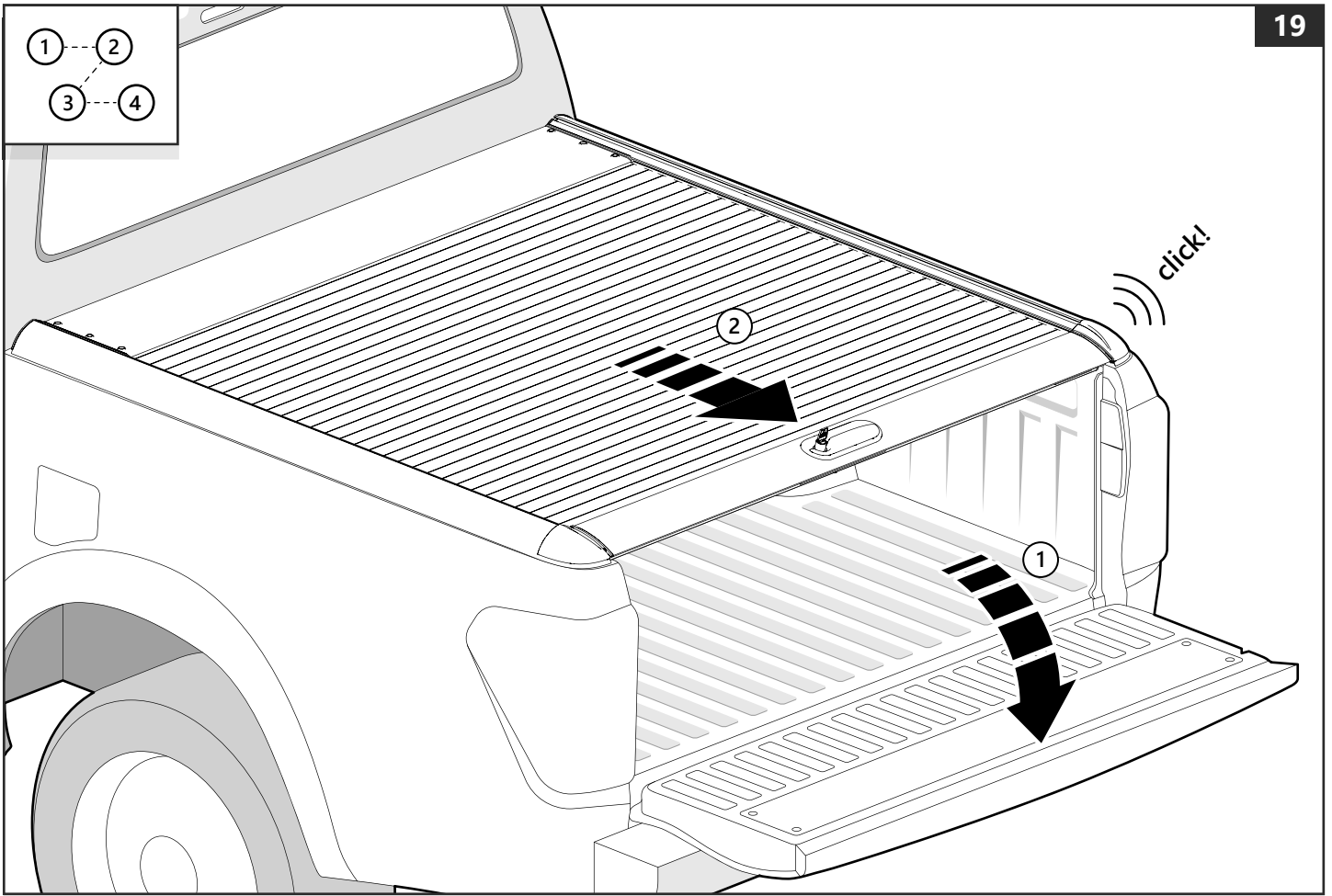


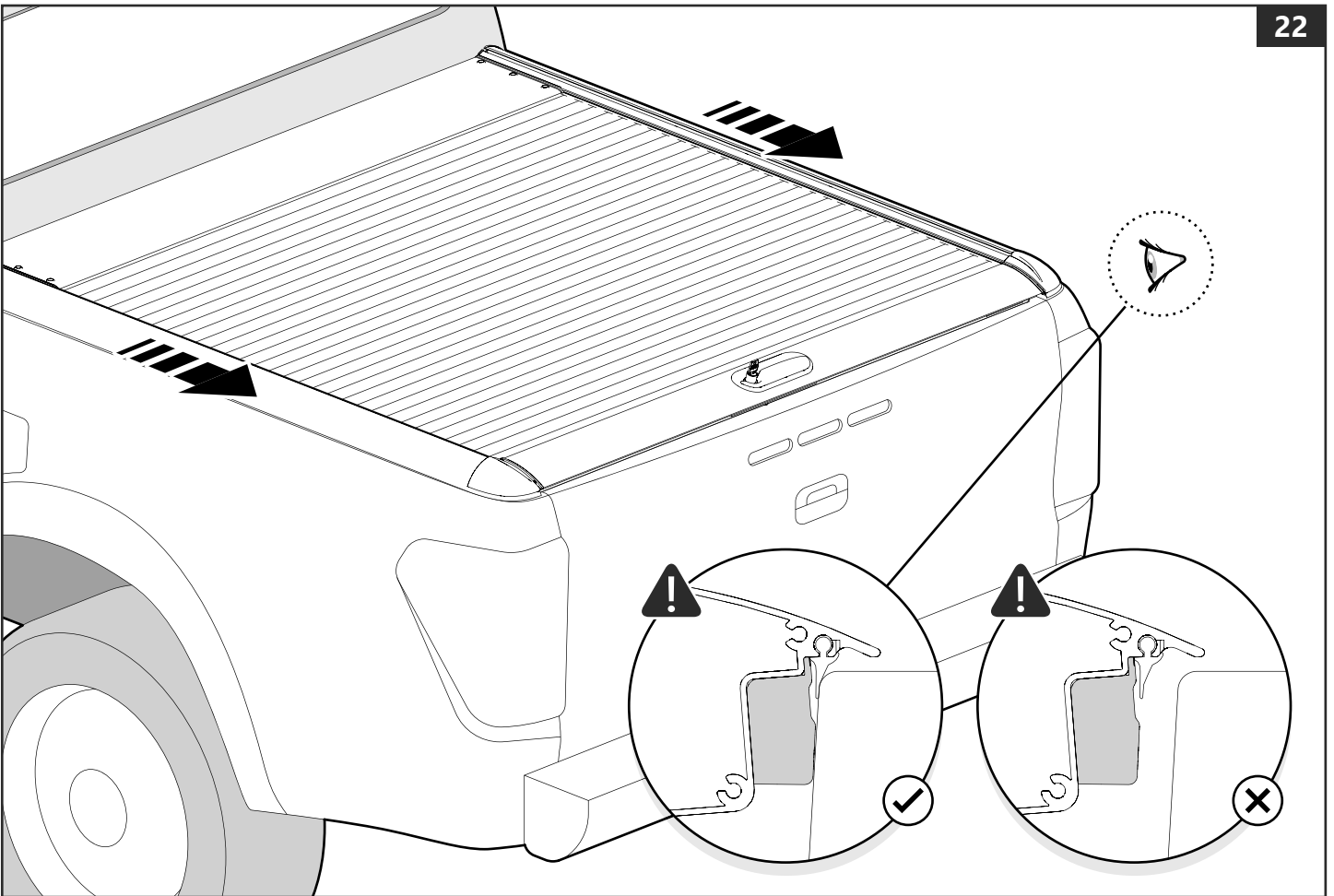
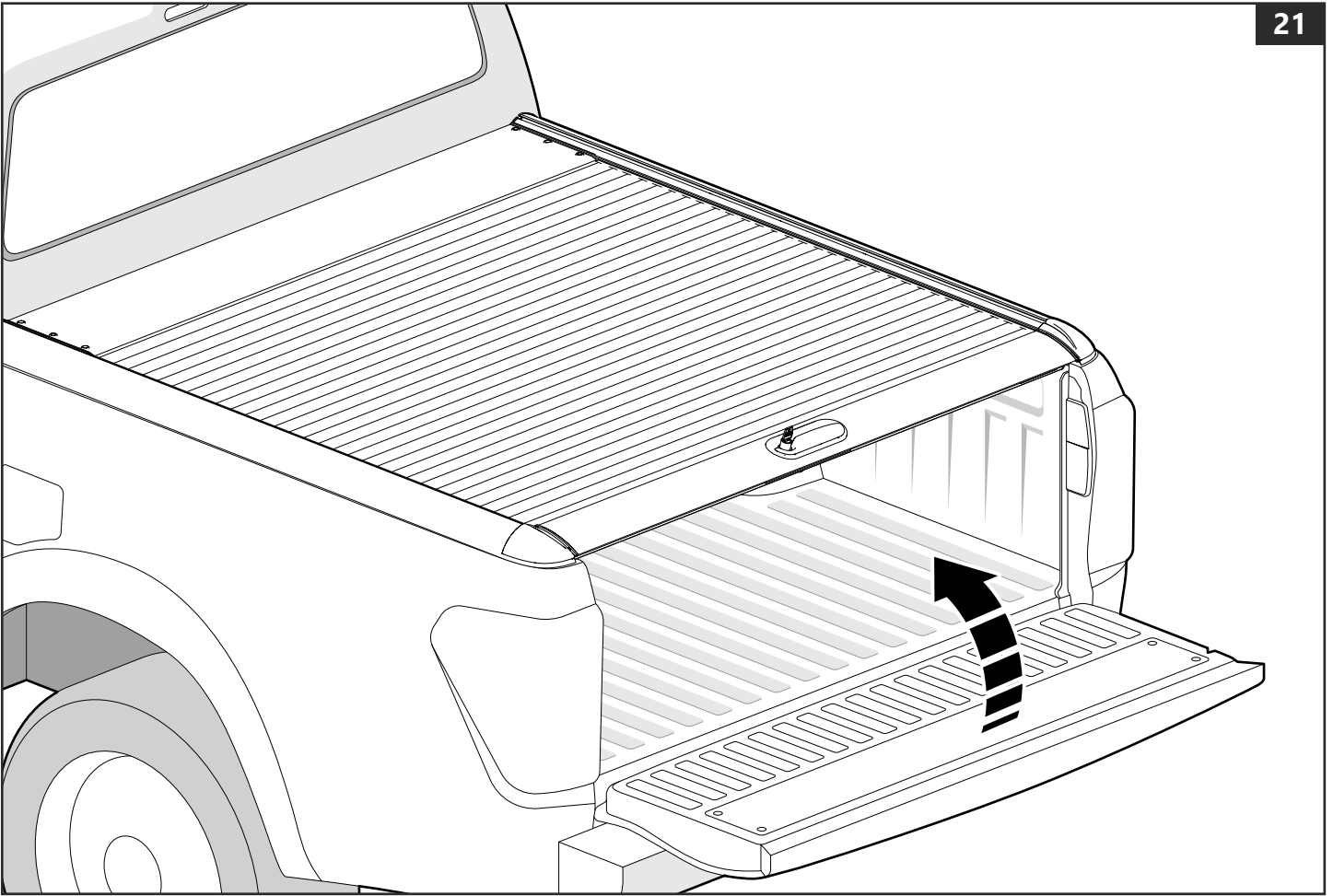


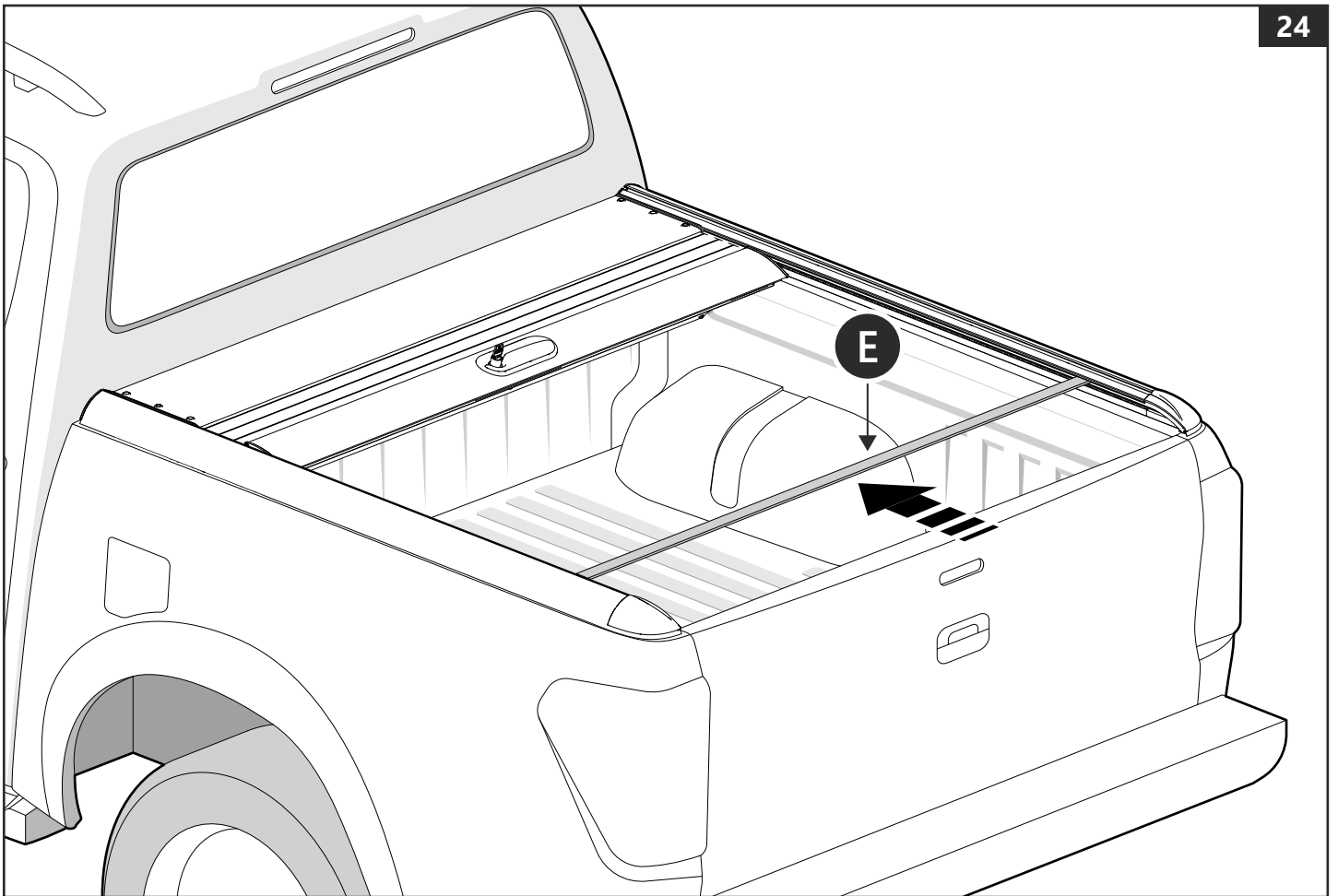
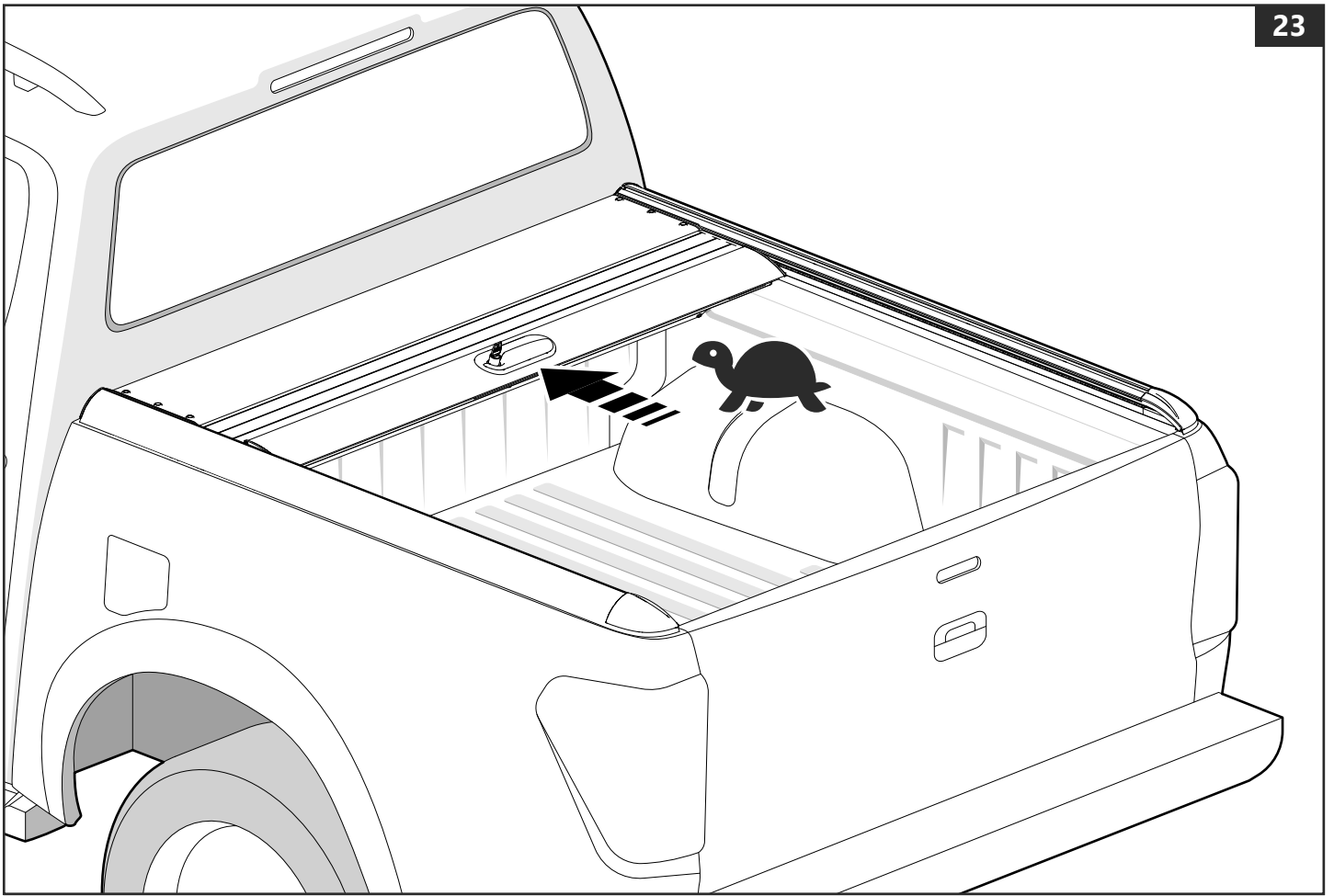


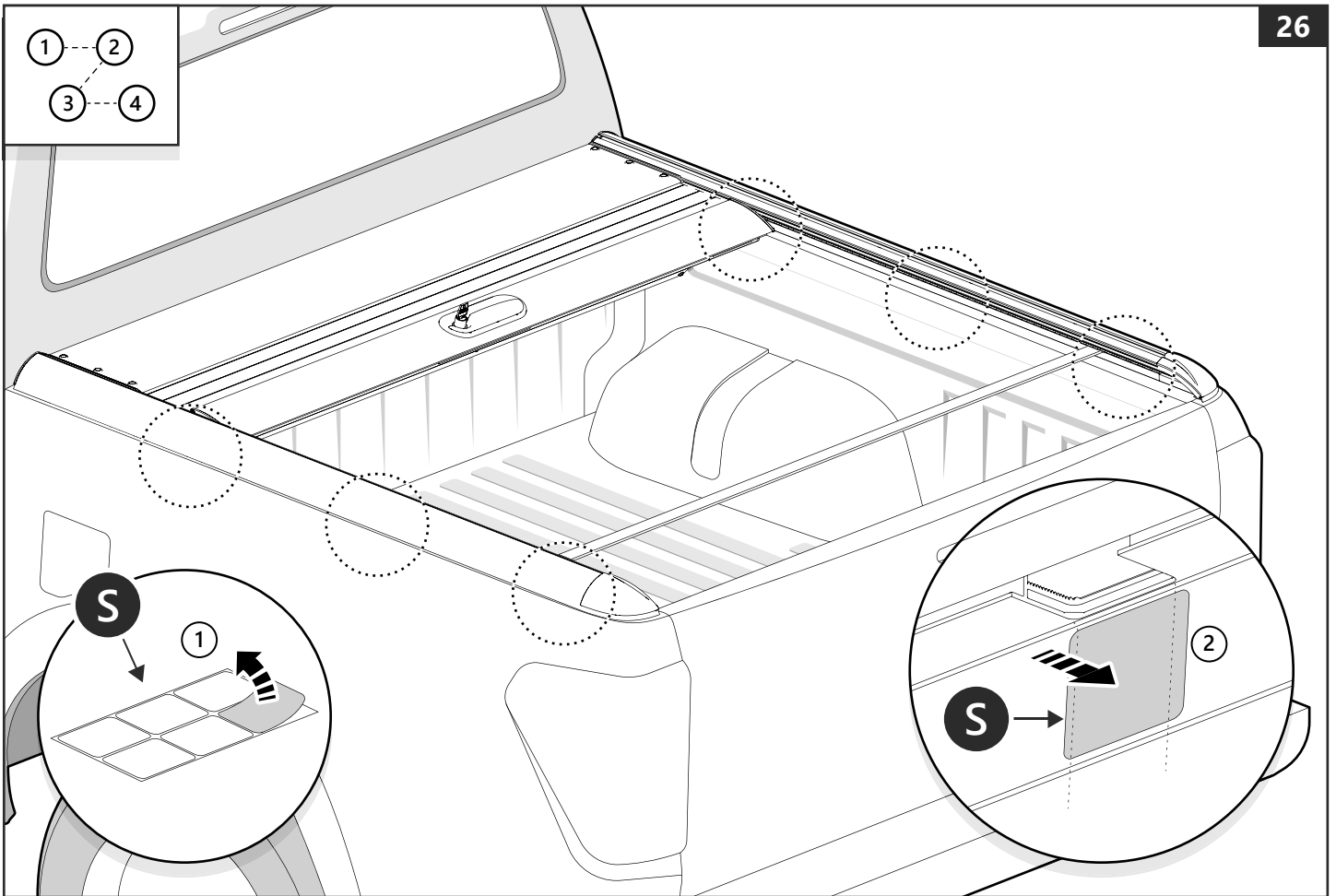
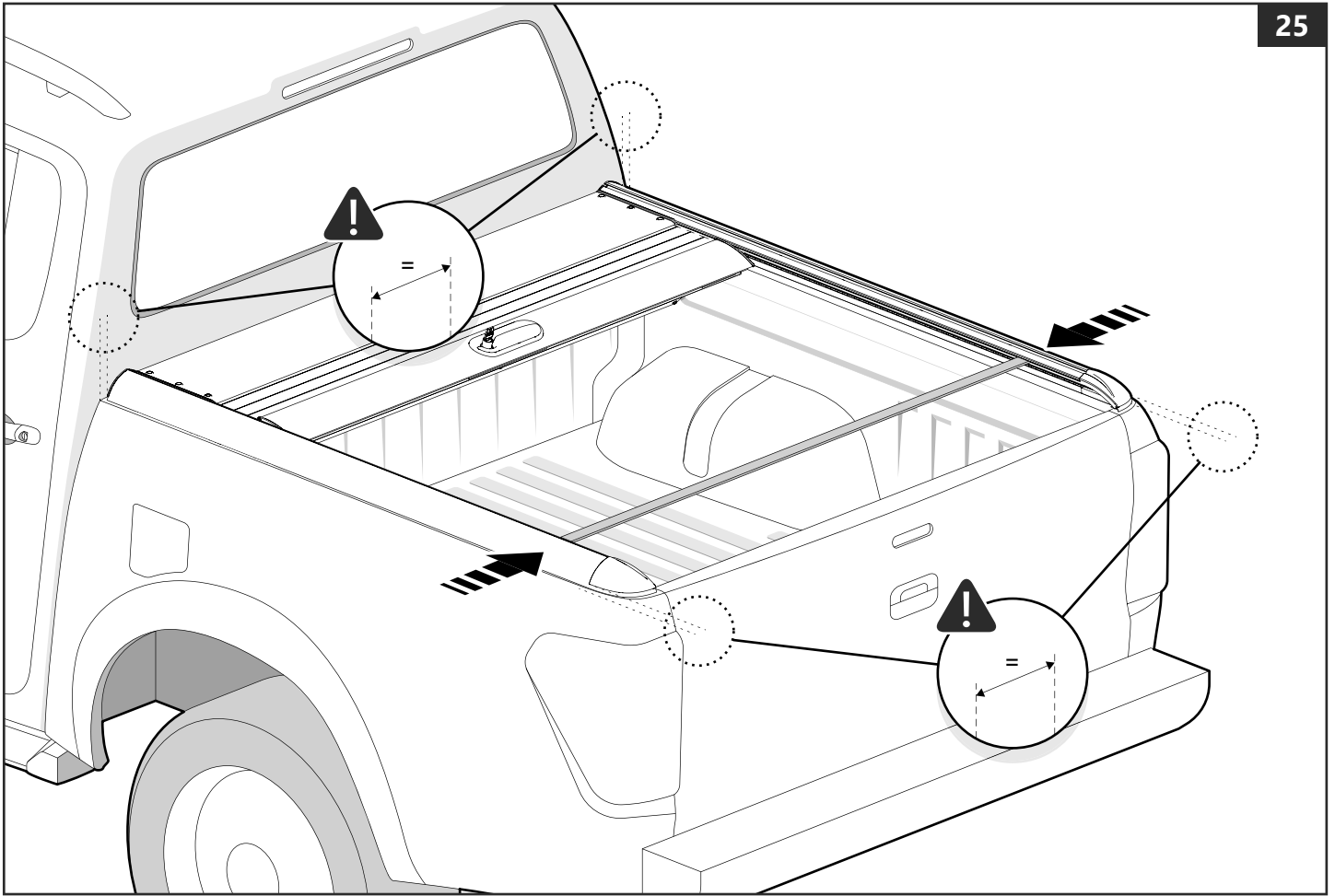


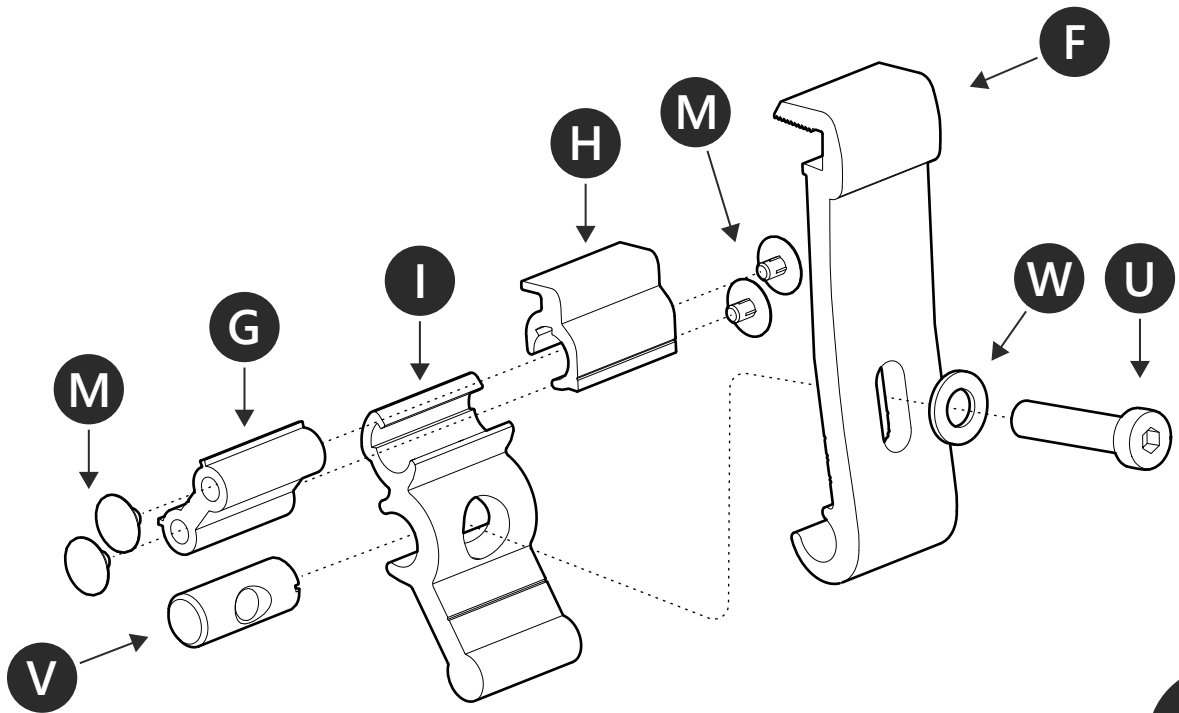




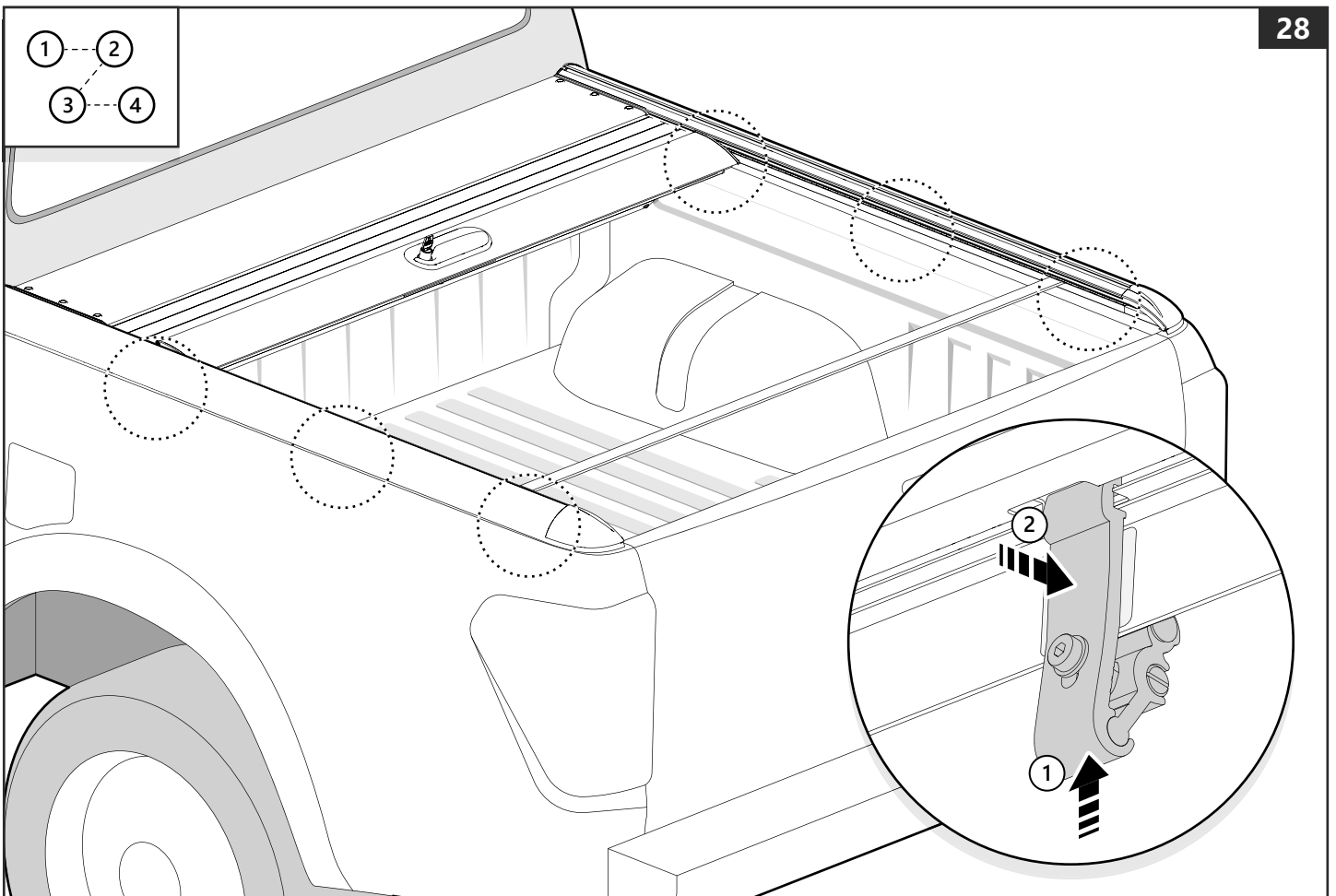


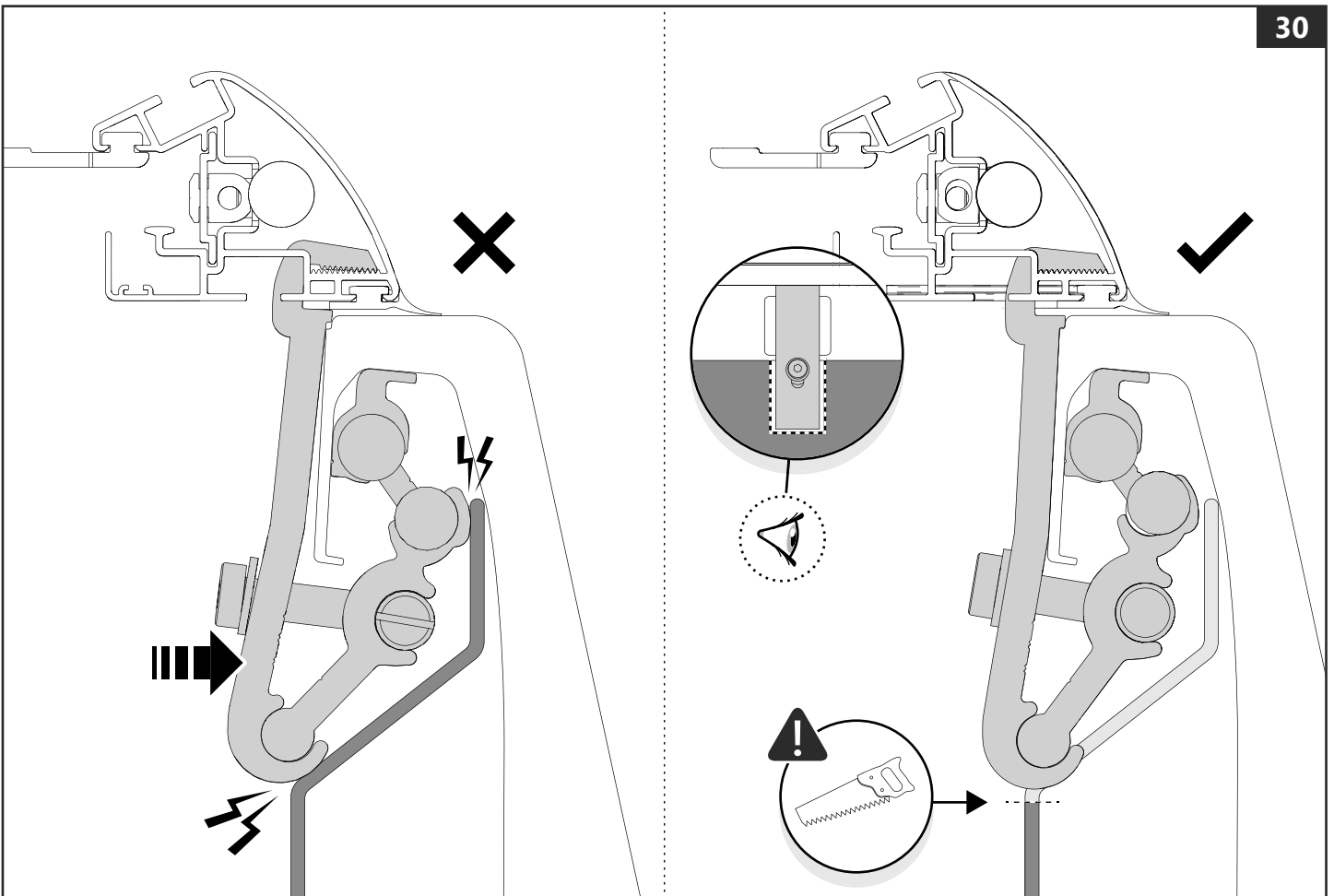
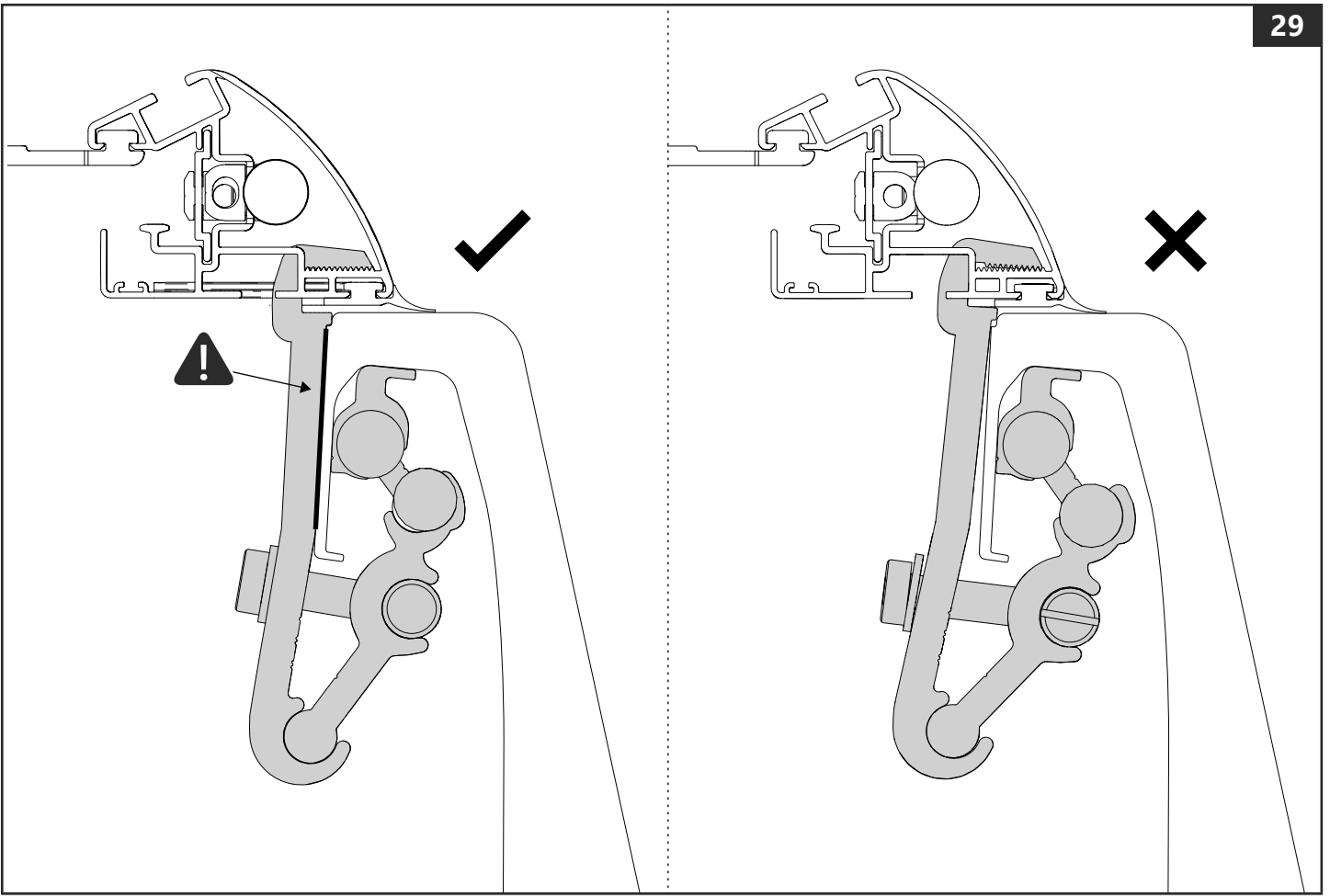


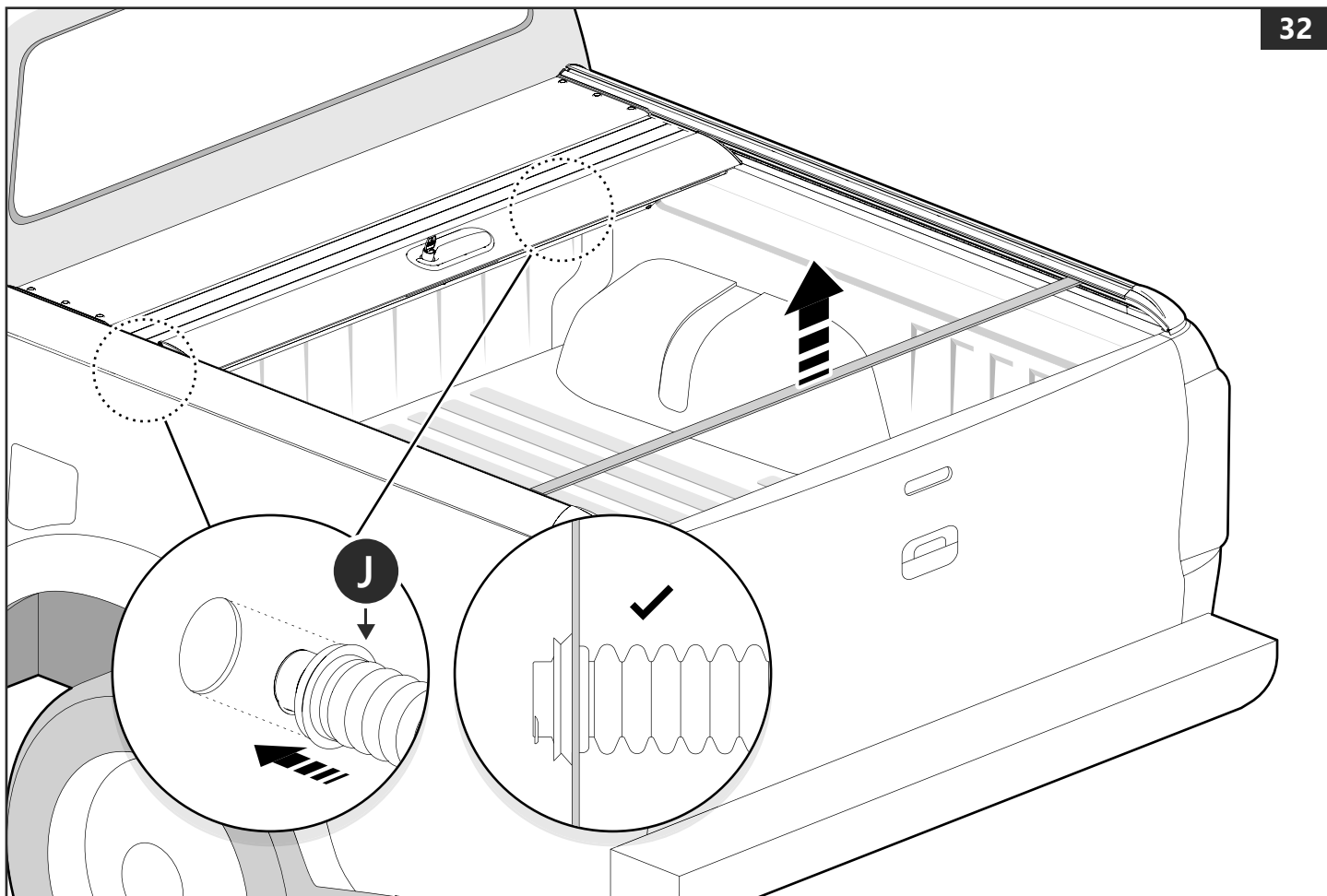
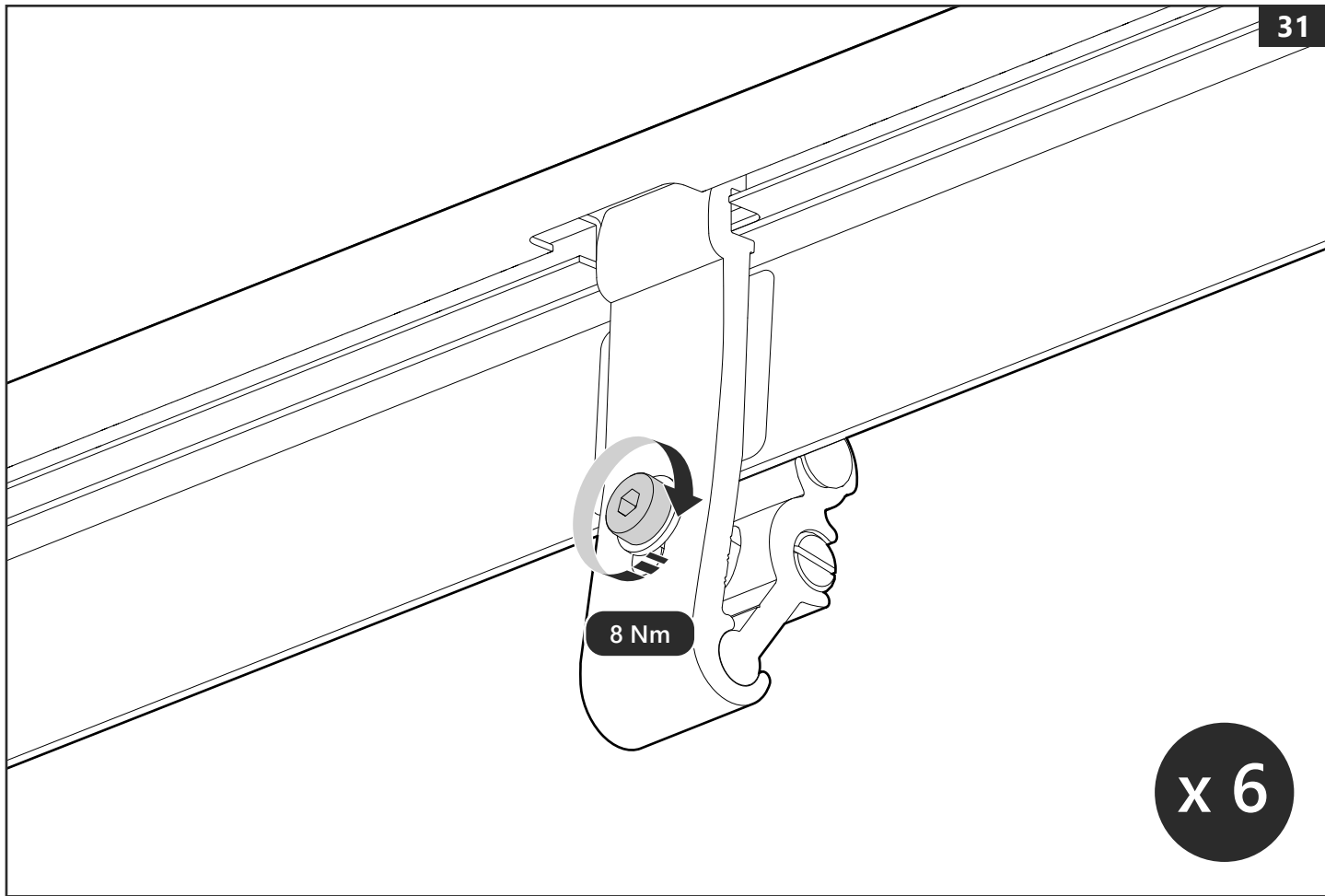


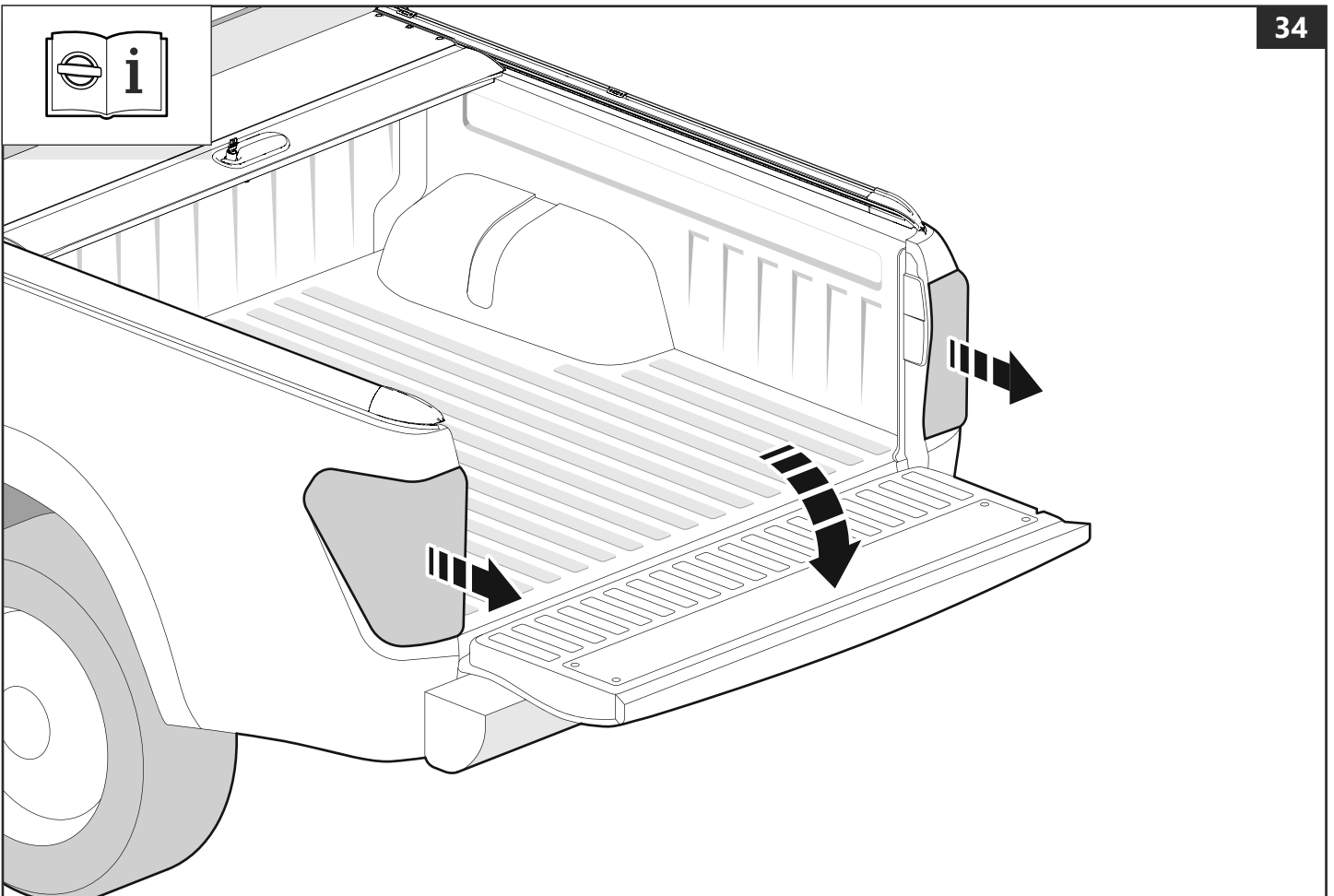
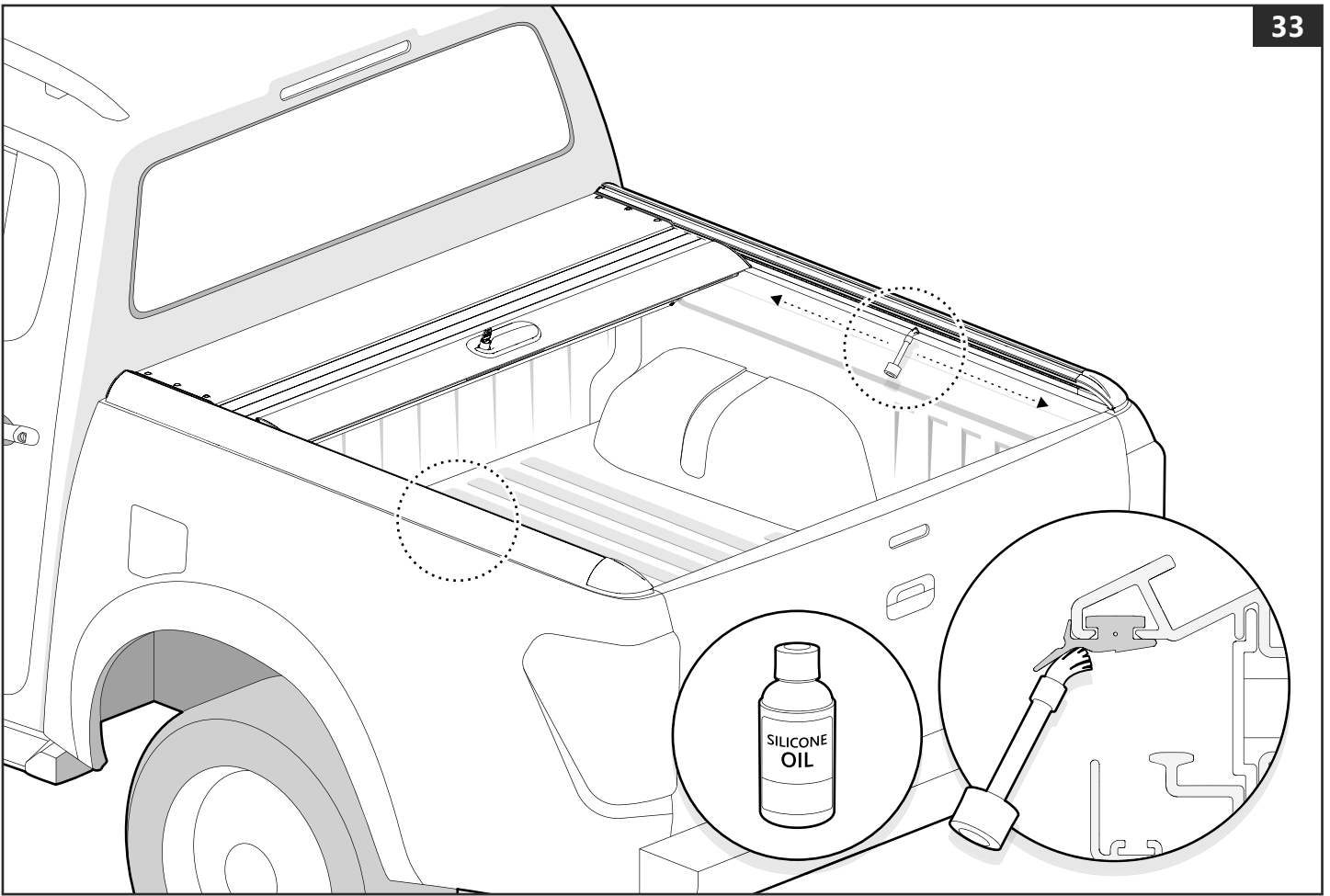


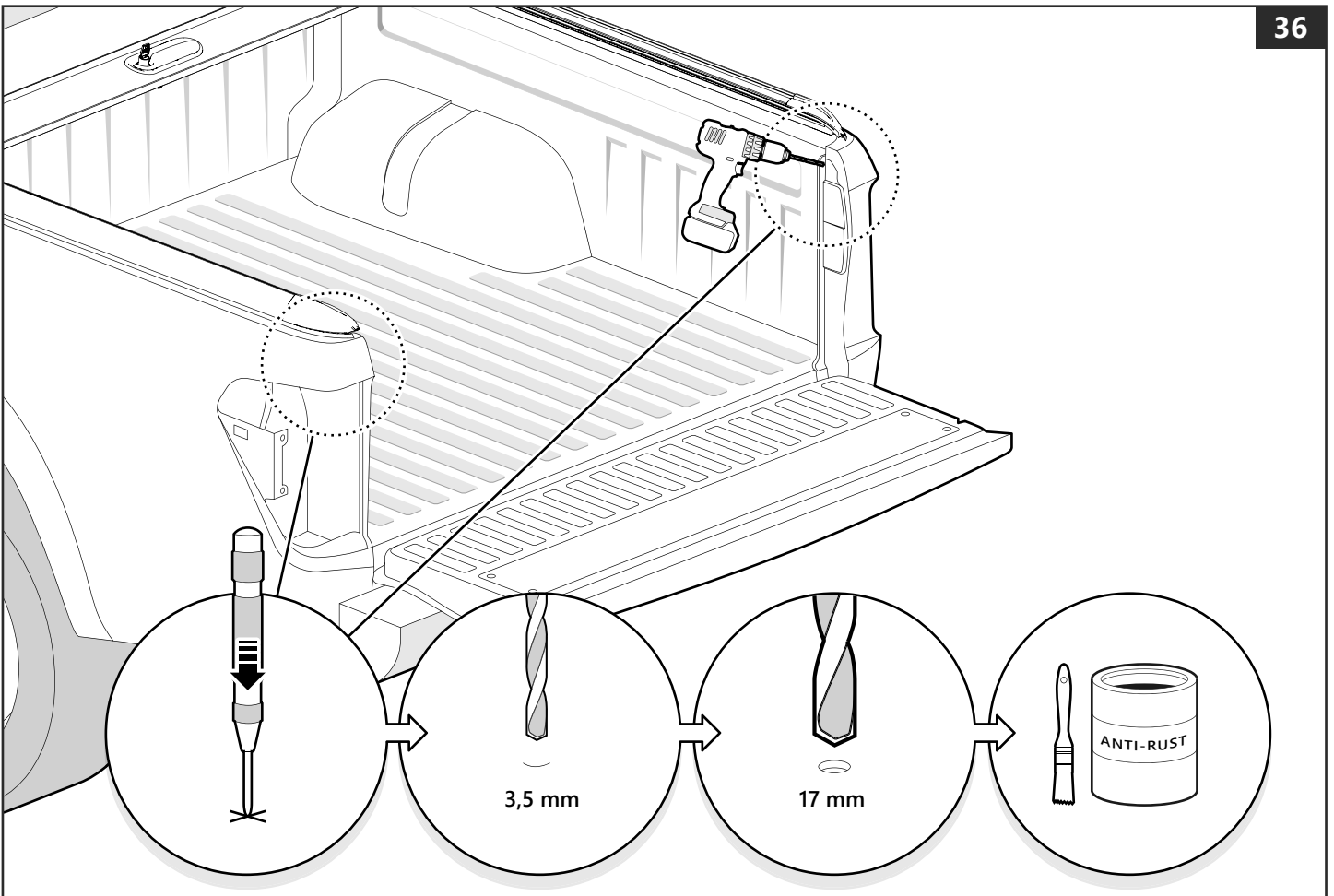
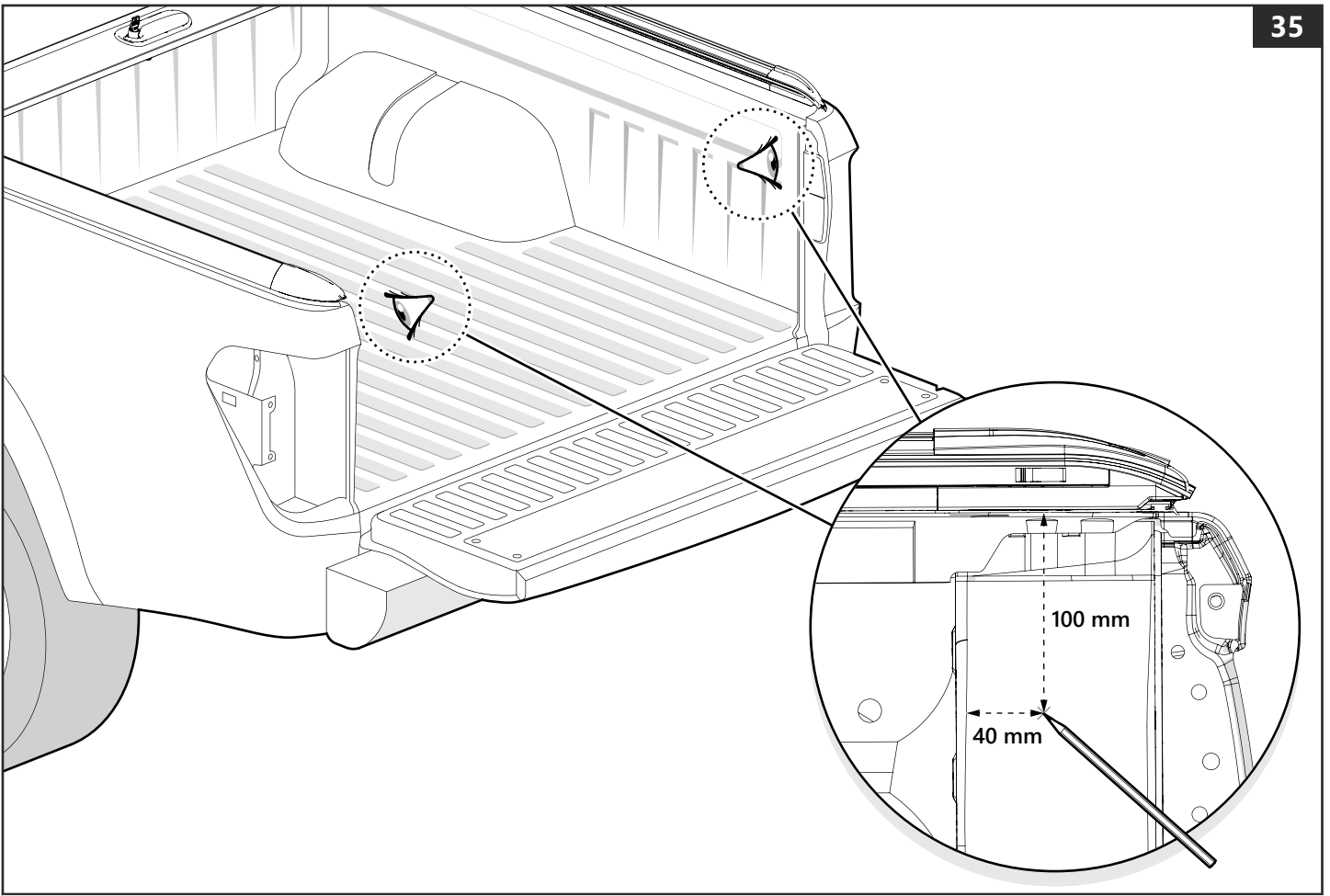
x 6

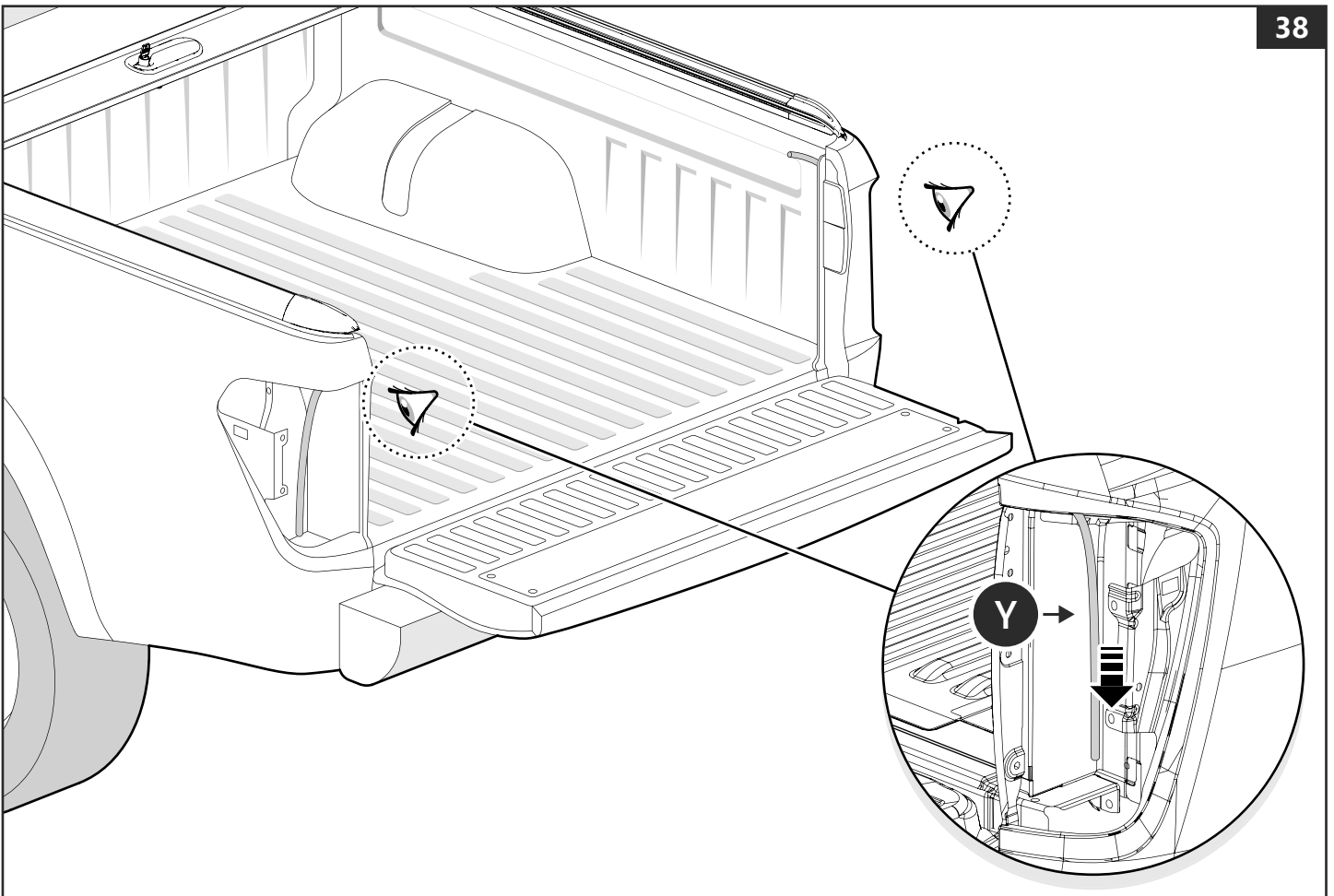
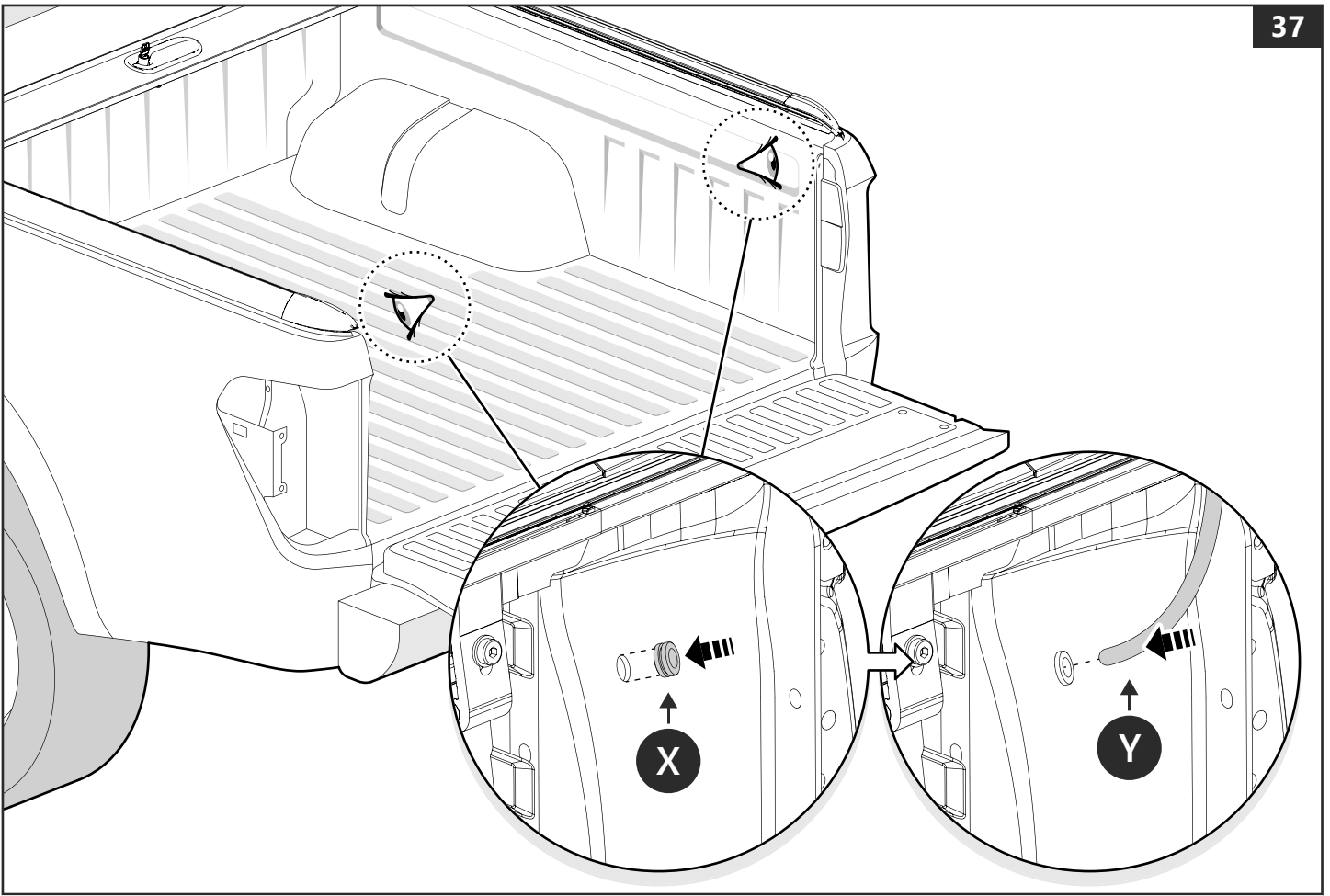


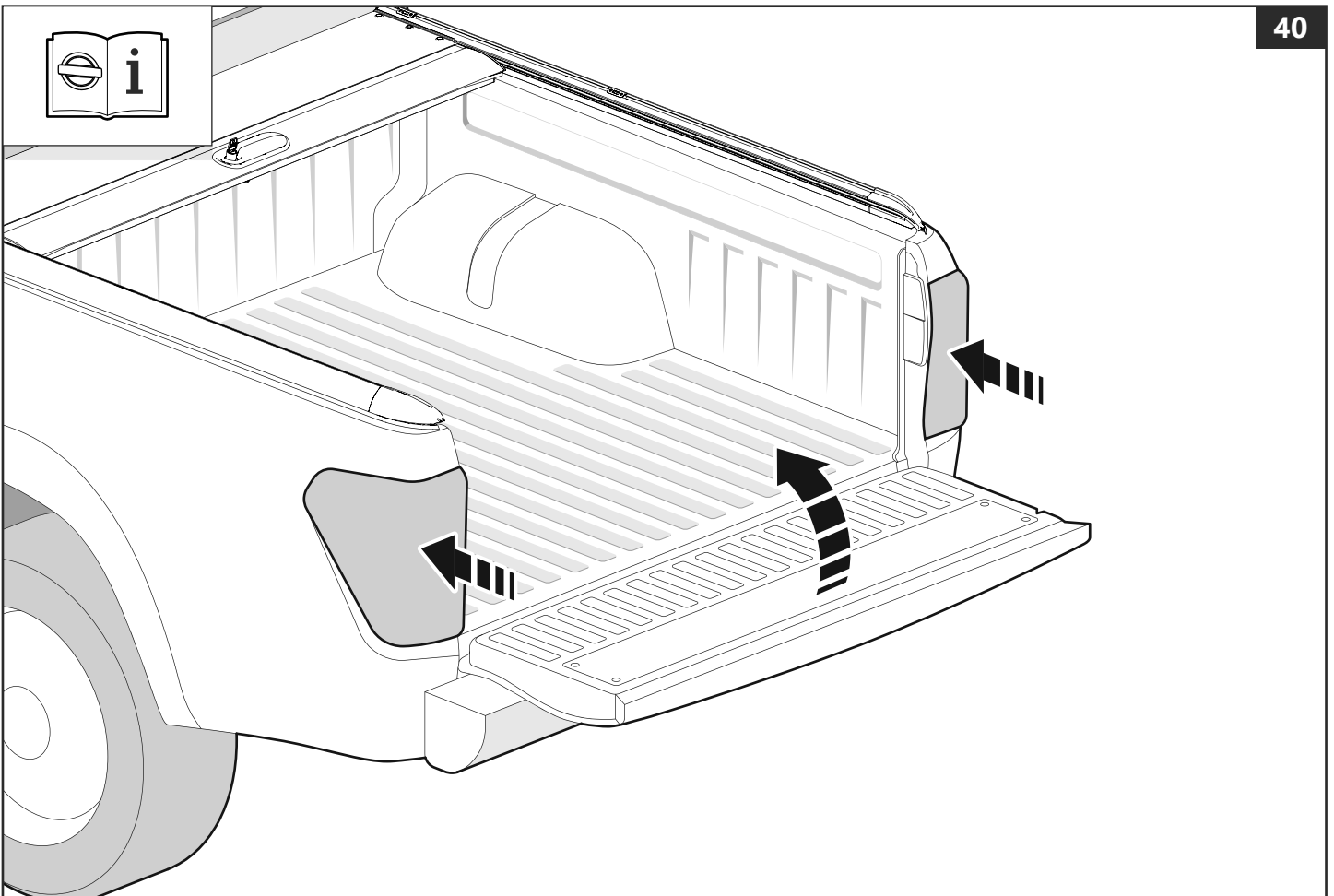
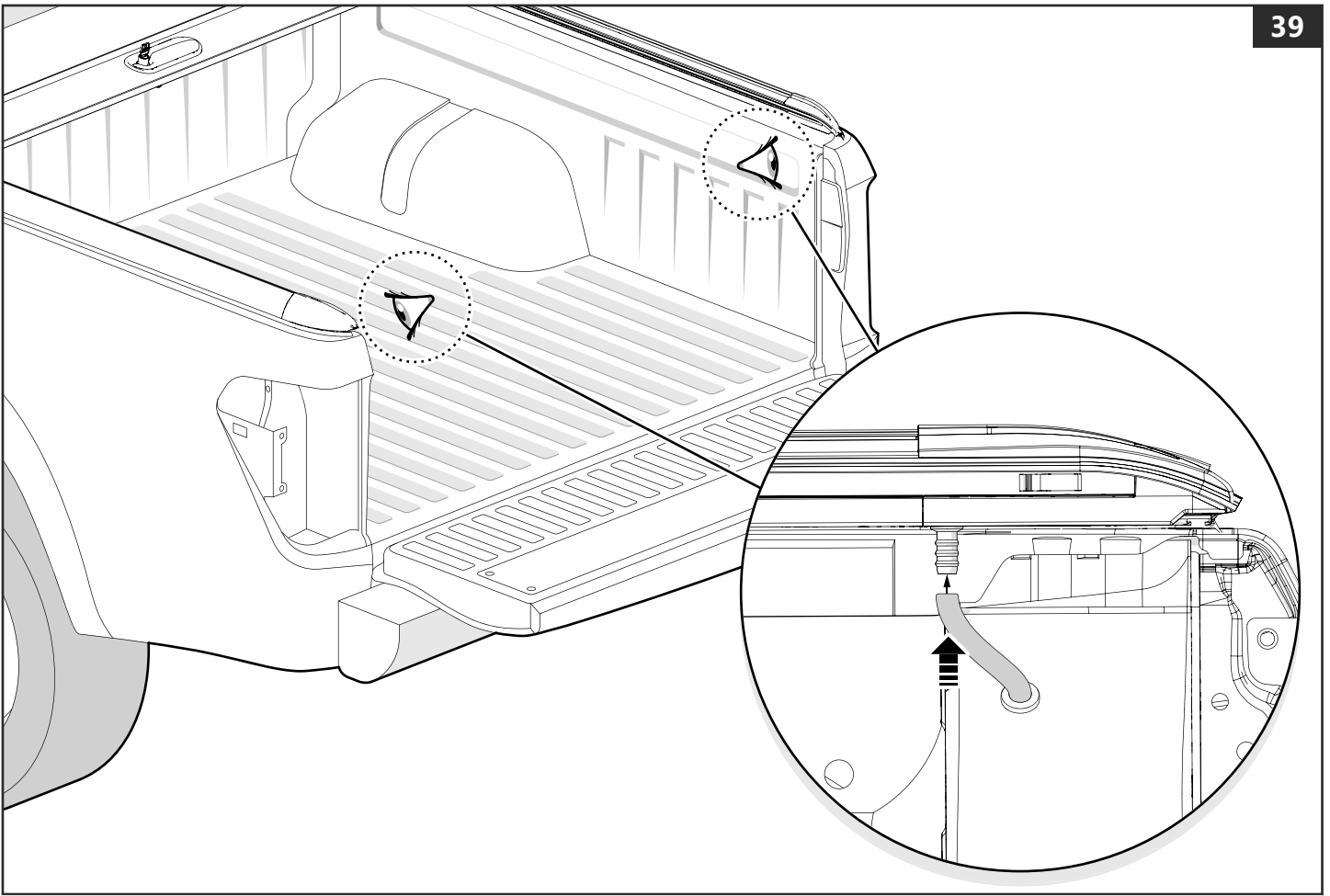


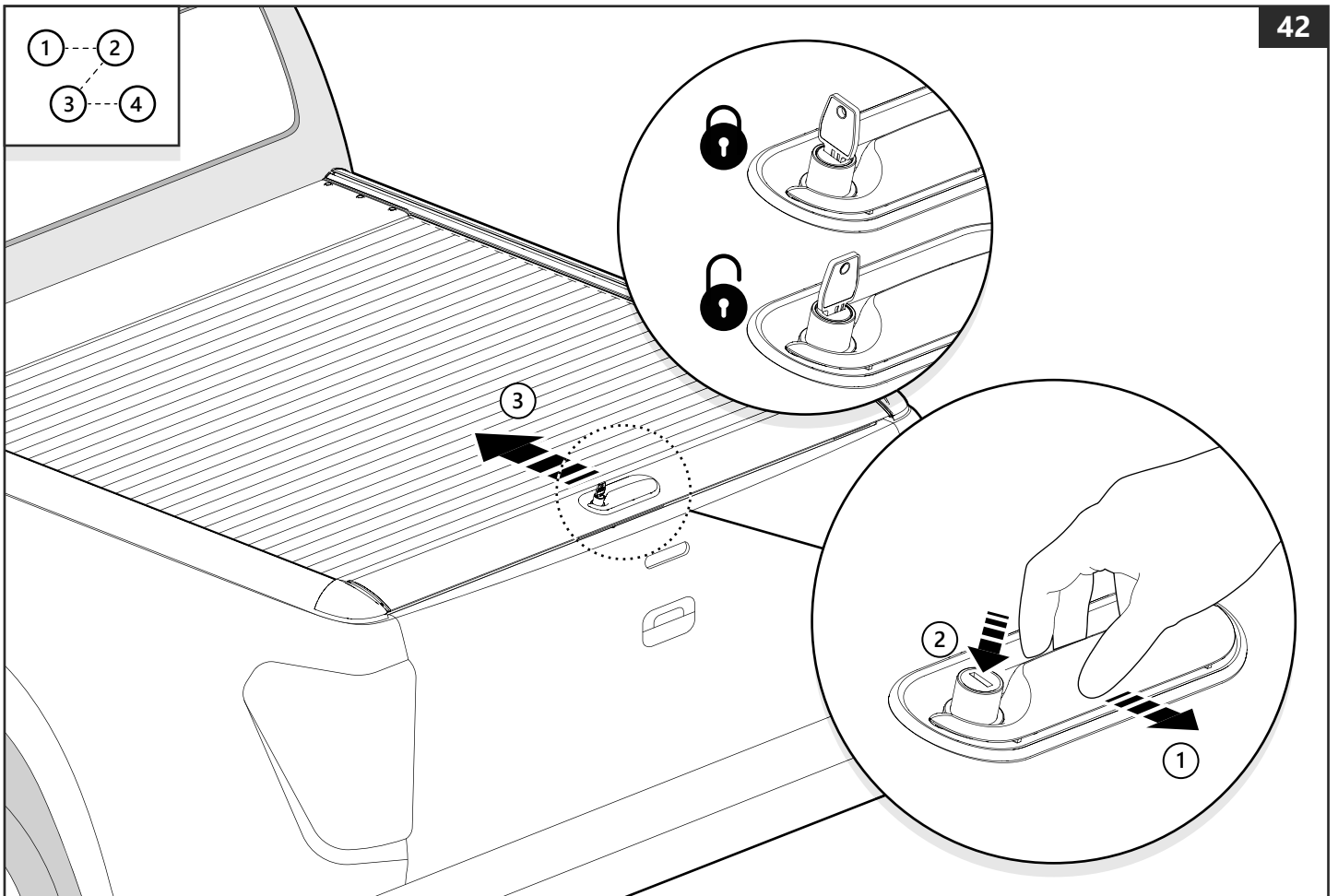
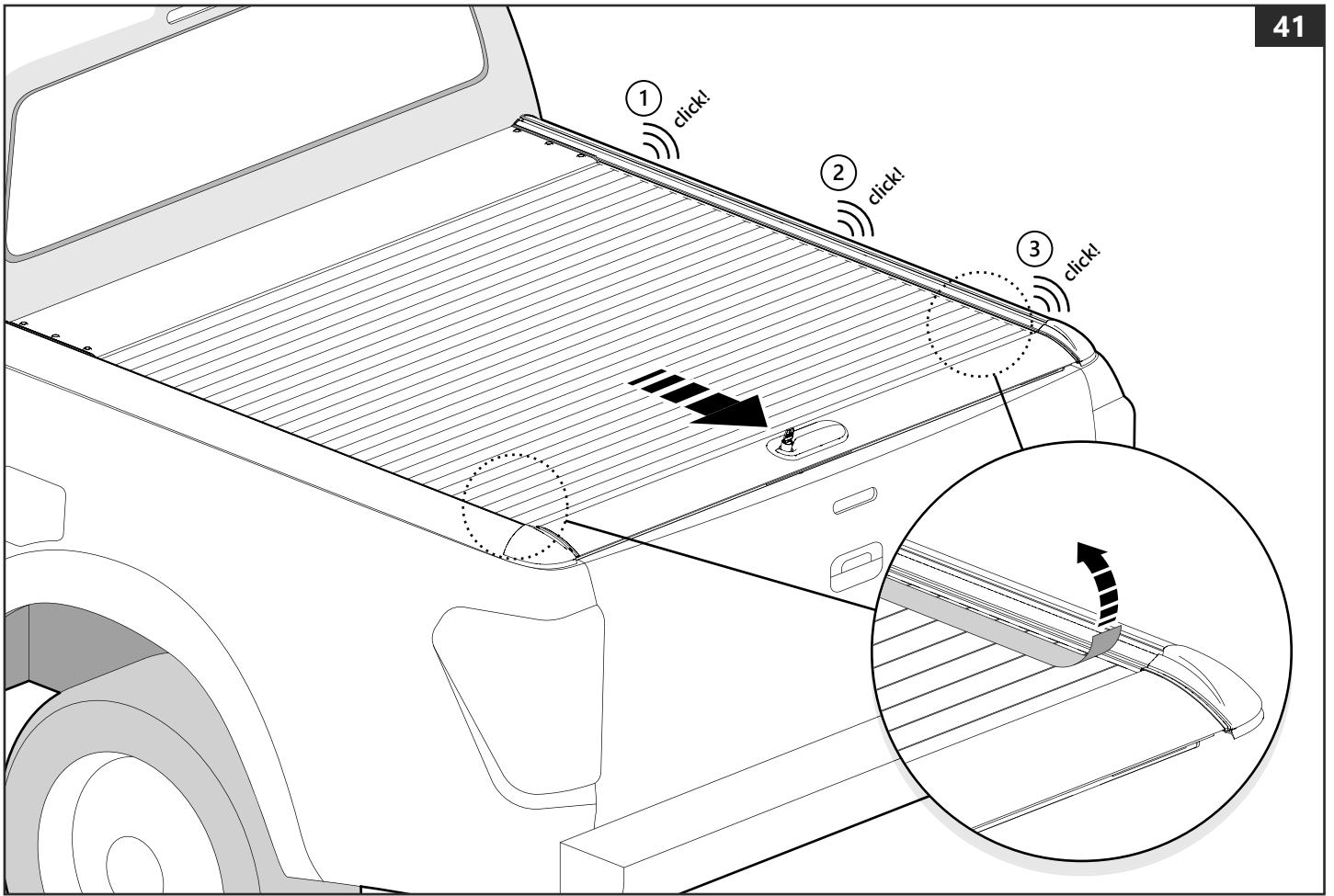


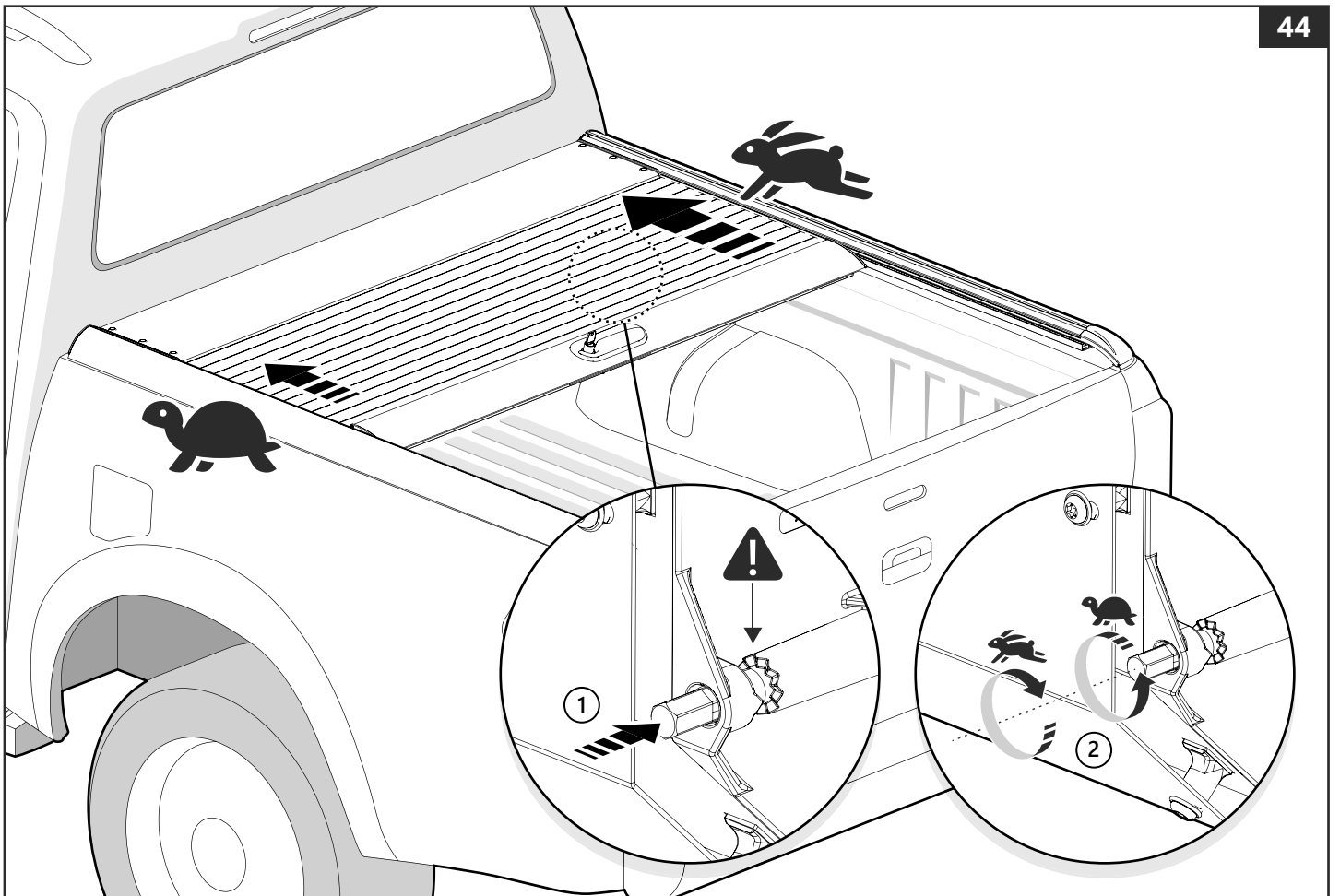
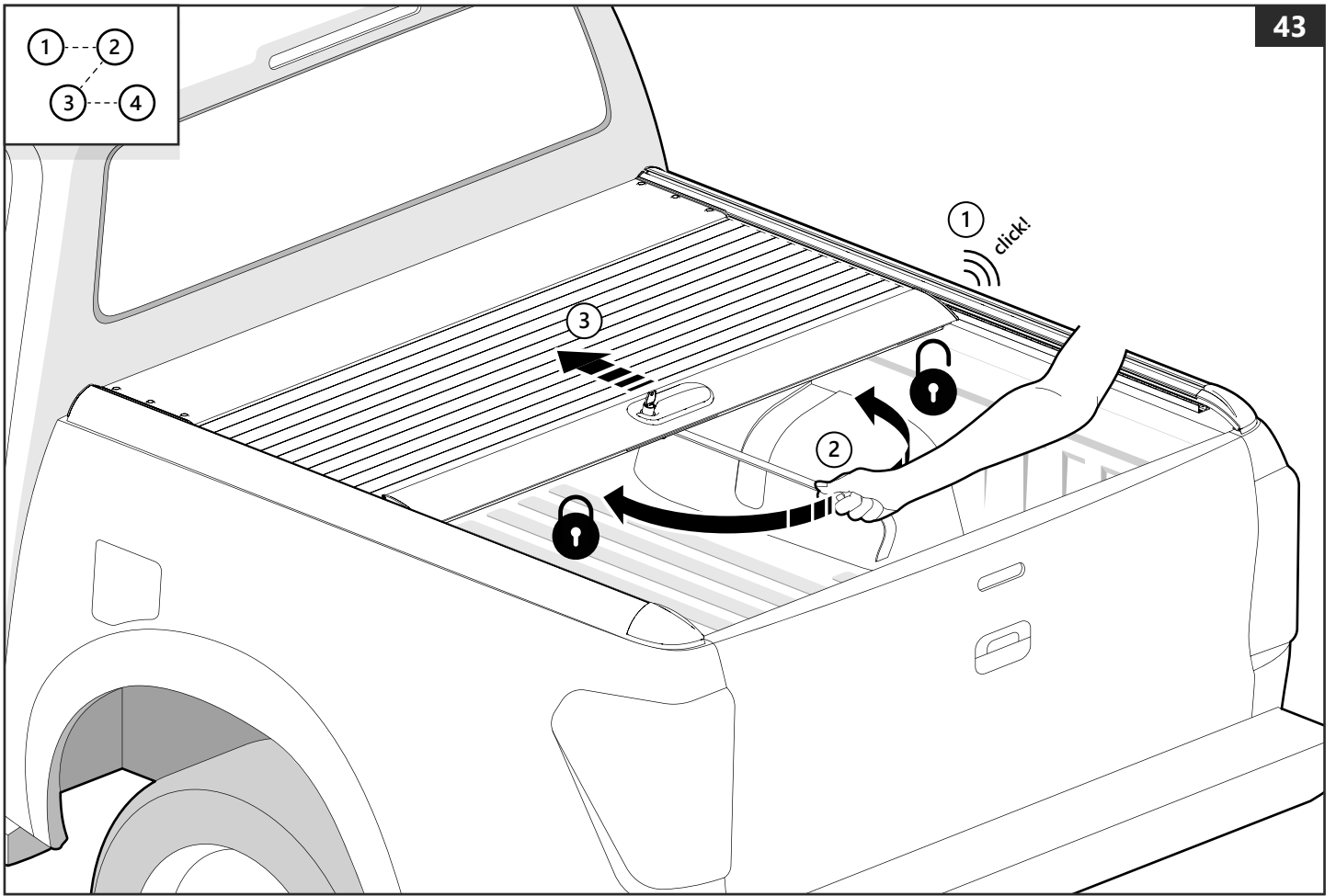














Customer Service +45 4810 2950 (08:00 - 16:00 CET)
Fax +45 4810 2960
Support info@mountaintop.dk
Website www.mountaintop.dk
Address Pedersholmparken 10, 3600 Frederikssund, Denmark

PART NUMBER(S)	MODEL / YEAR	CAB TYPE(S)	INSTALLATION TIME	WEIGHT
MTR NI90/91/MTRA NI90/91	Nissan / 2015 →	Double / King	2 hour(s)	31 - 36 Kg

GB Installation manual	S Monteringsanvisning	D Einbauanleitung
SF Asennusohje	E Instrucciones de montaje	CZ Návod k instalaci
F Notice de montage	H Szerelési utasítás	I Istruzioni de montaggio
PL Instrukcja montażu	P Instruções de instalação	GR Οδηγίες Εγκατάστασης
NL Installatie-instructies	RUS Инструкция по установке	DK Monteringsvejledning
TR Montaj Talimatı	N Monteringsveiledning	RO Instructiuni de instalare