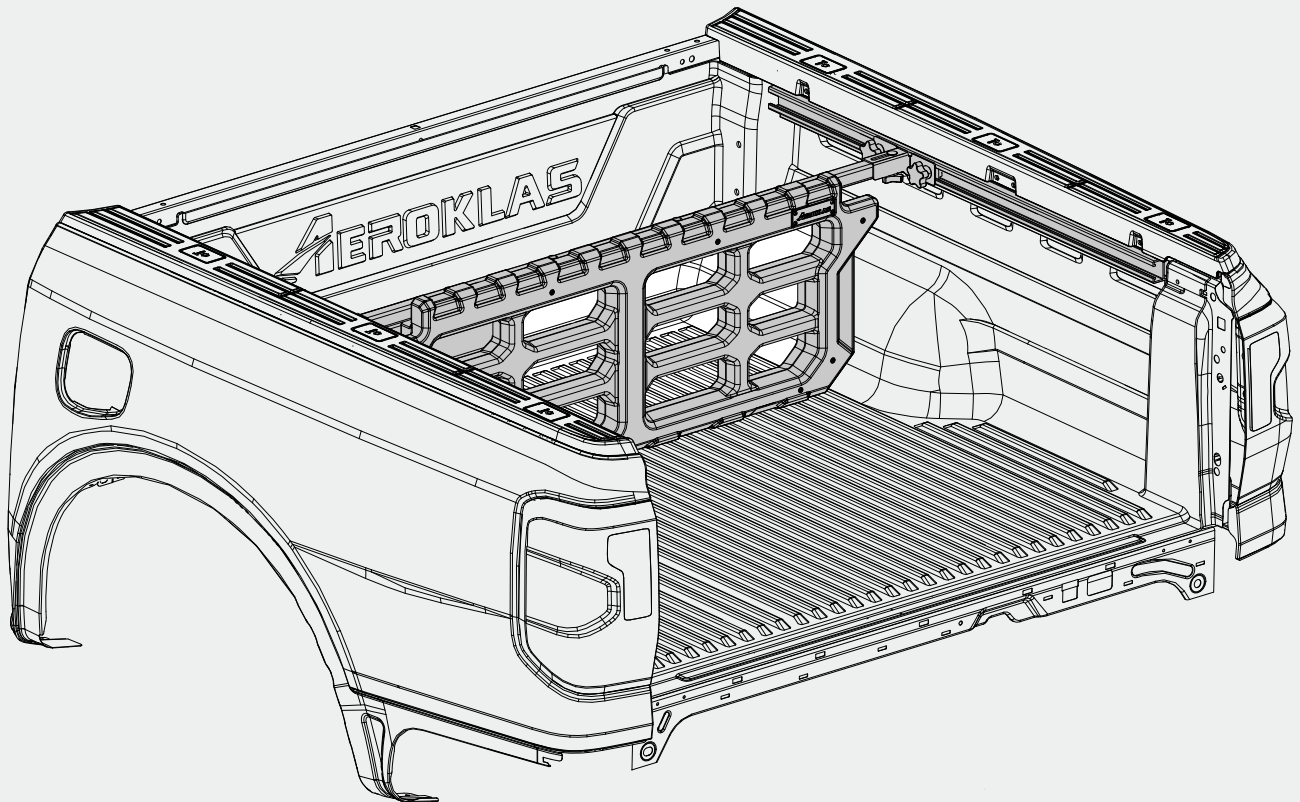


# AEROKLAS - DIVIDER

## INSTALLATION MANUAL AEROKLAS DIVIDER

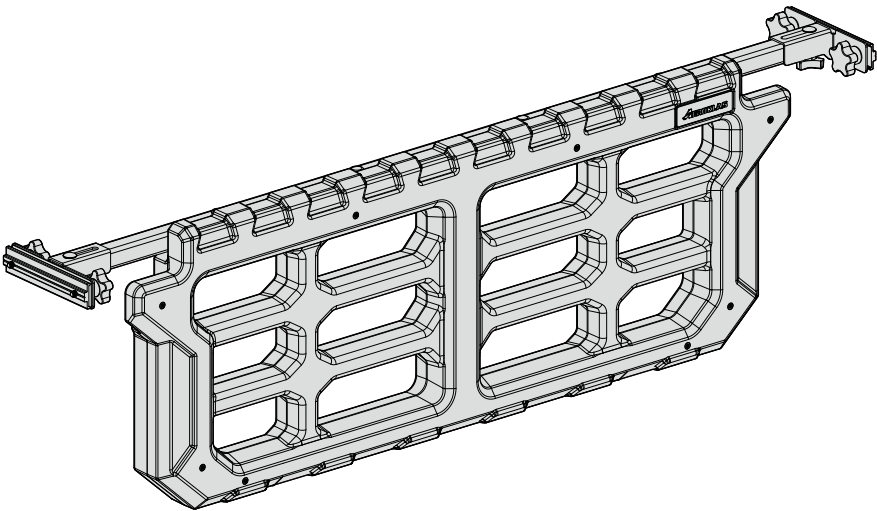

Fit Time: 60 mins



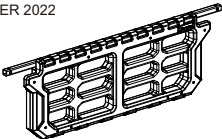
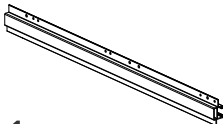
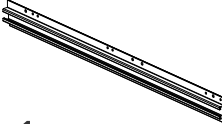
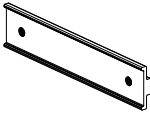
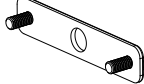
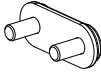

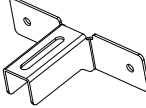
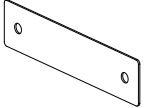
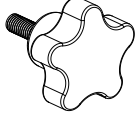
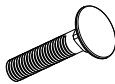
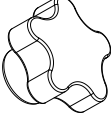
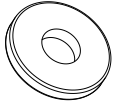
**Aeroklas Factory (Rayong)**  
Tambon Makhom Khu,  
Amphoe Nikhom Phatthana,  
Rayong 21180

**Aeroklas Office (Bangna)**  
770 Theparak Road,  
Theparak sub-district,  
Mueang district,  
Samut Prakan 10270

Parts List

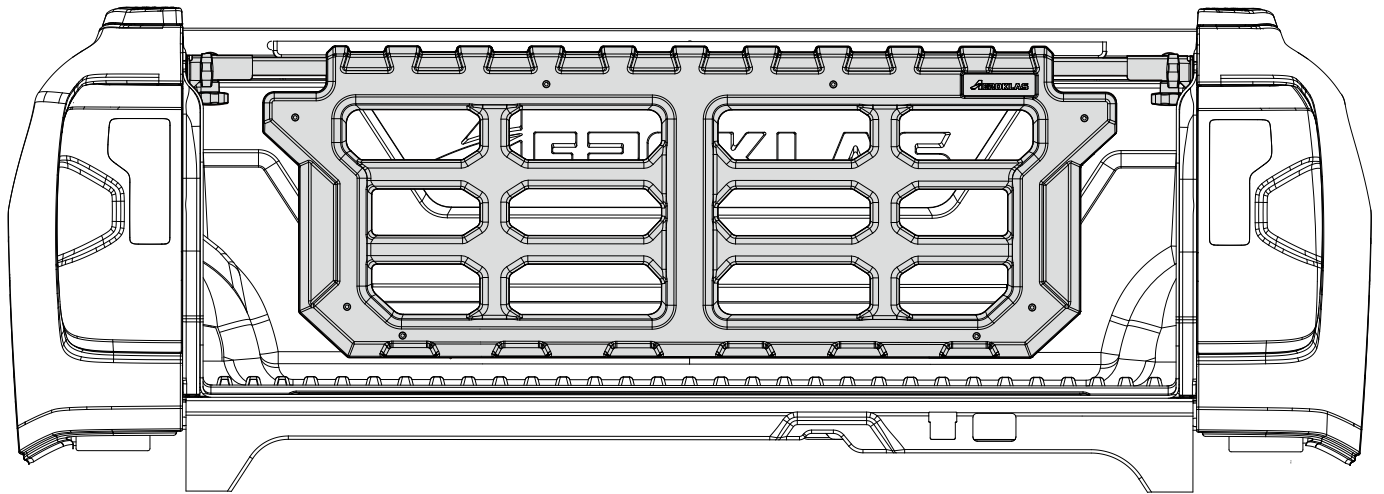
PARTS LIST	INSTALLATION TOOLS
 <p data-bbox="539 987 724 1014">ISOMETRIC VIEW</p>	 <p data-bbox="1193 477 1430 504">SCREWDRIVER NO.10</p>

COMPONENT PART

<p data-bbox="124 1196 293 1234">MAIN BODY AEROKLAS DIVIDER 2022</p>  <p data-bbox="113 1350 181 1384"><b>A</b> x1</p>	<p data-bbox="499 1196 772 1218">LH AEROKLAS C-CHANNEL FOR FORD</p>  <p data-bbox="486 1350 555 1384"><b>B</b> x1</p>	<p data-bbox="855 1196 1128 1218">RH AEROKLAS C-CHANNEL FOR FORD</p>  <p data-bbox="834 1350 903 1384"><b>C</b> x1</p>	<p data-bbox="1222 1196 1415 1218">CLAMP SUPPORT DIVIDER</p>  <p data-bbox="1209 1350 1278 1384"><b>D</b> x2</p>
<p data-bbox="124 1453 352 1487">REAR BRACKET SUPPORT CMS FOR FORD</p>  <p data-bbox="113 1599 181 1632"><b>E</b> x2</p>	<p data-bbox="499 1453 766 1476">BRACKET SUPPORT CMS FOR FORD</p>  <p data-bbox="486 1599 555 1632"><b>F</b> x4</p>	<p data-bbox="855 1453 1019 1476">FLANGE NUT M6 (CR3)</p>  <p data-bbox="834 1599 903 1632"><b>G</b> x12</p>	<p data-bbox="1222 1453 1453 1487">BRACKET SUPPORT AEROKLAS DIVIDER 2022</p>  <p data-bbox="1209 1599 1278 1632"><b>H</b> x2</p>
<p data-bbox="124 1711 360 1733">(NEW) PLASTIC SUPPORT PLATE</p>  <p data-bbox="113 1850 181 1883"><b>I</b> x2</p>	<p data-bbox="499 1711 766 1744">LOBE KNOBS WITH THREADED STUD M8X20 (50 mm.)</p>  <p data-bbox="486 1850 555 1883"><b>J</b> x4</p>	<p data-bbox="855 1711 1078 1744">MUSHROOM HEAD SQUARE NECK BOLTS SS304 M8X45 mm.</p>  <p data-bbox="834 1850 903 1883"><b>K</b> x2</p>	<p data-bbox="1222 1711 1493 1744">LOBE KNOBS WITH BRASS THREADED HOLE M8X50</p>  <p data-bbox="1209 1850 1278 1883"><b>L</b> x2</p>
<p data-bbox="124 1957 277 1980">WASHER M8 OD18</p>  <p data-bbox="113 2096 181 2130"><b>M</b> x2</p>			

## PRODUCT

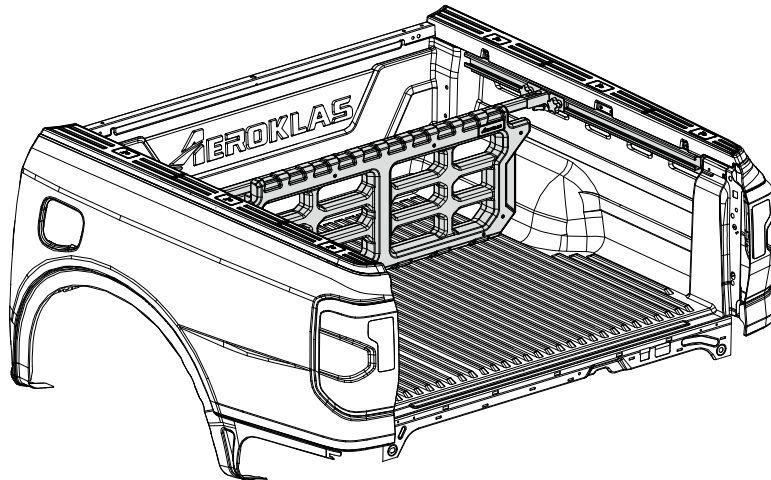
---



AEROKLAS DIVIDER

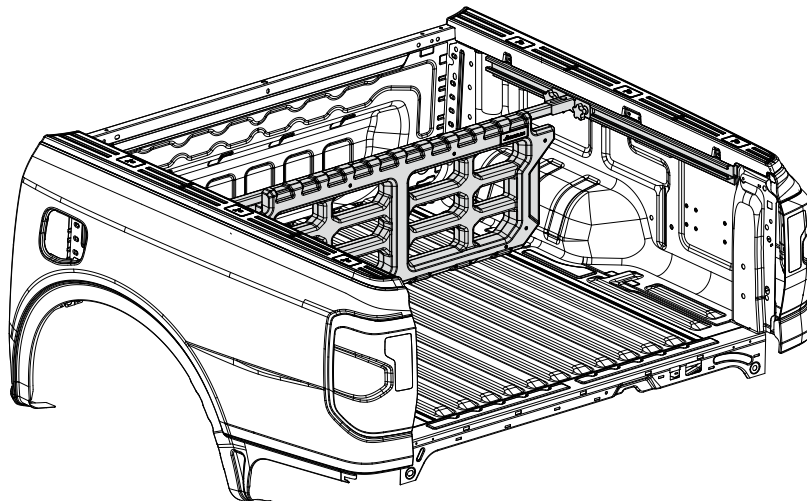
## TRUCK BOX WITH LINER

---



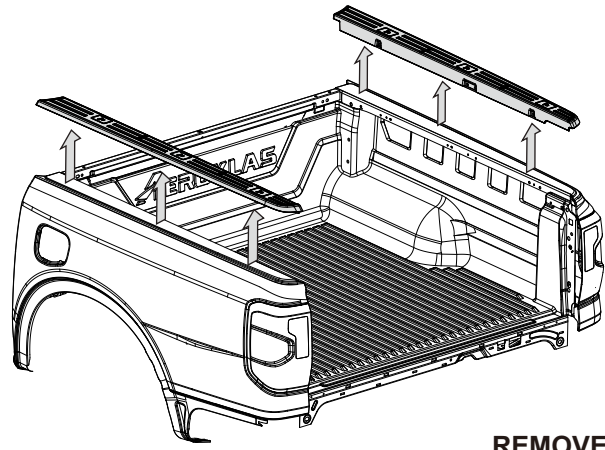
## TRUCK BOX WITHOUT LINER

---



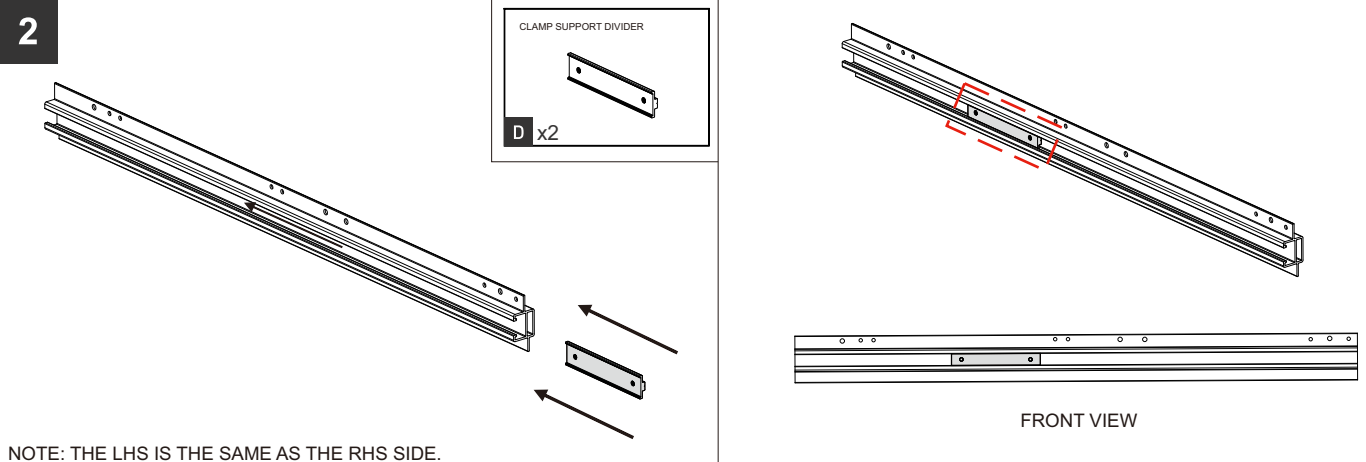
# FITTING AEROKLAS DIVIDER

1



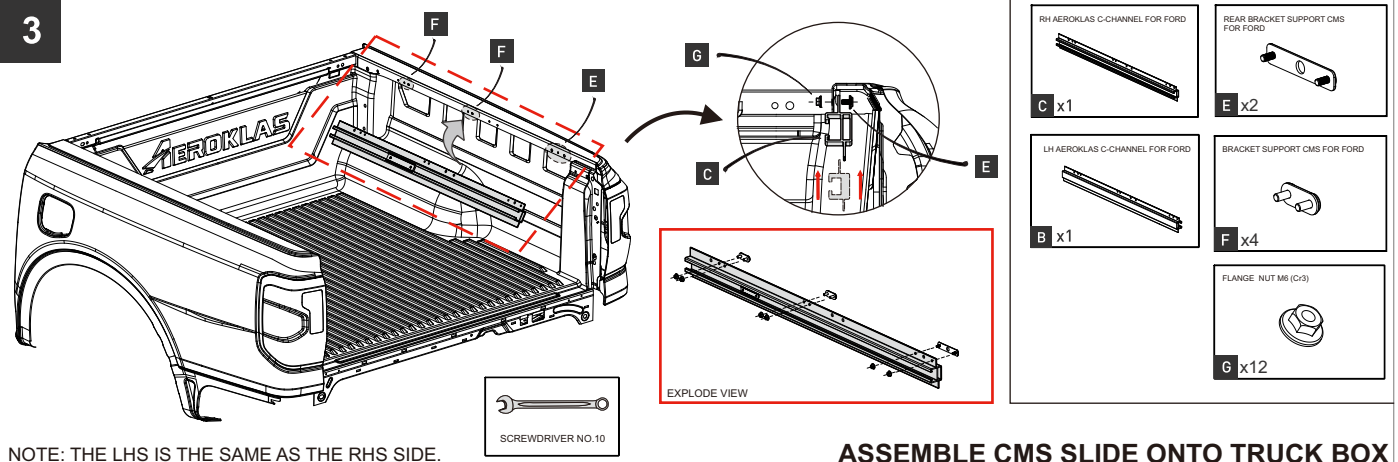
REMOVE COVER FROM TRUCK BOX

2



NOTE: THE LHS IS THE SAME AS THE RHS SIDE.

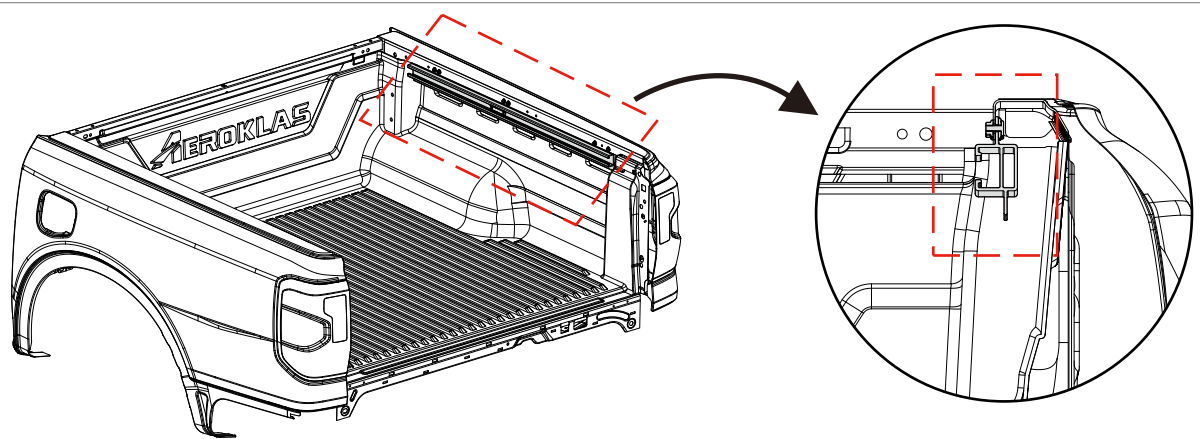
3



NOTE: THE LHS IS THE SAME AS THE RHS SIDE.

ASSEMBLE CMS SLIDE ONTO TRUCK BOX

4



NOTE: THE LHS IS THE SAME AS THE RHS SIDE.

ASSEMBLE CMS SLIDE ONTO TRUCK BOX



**5**

EXPLODE VIEW

(NEW) PLASTIC SUPPORT PLATE I x2

LOBE KNOBS WITH THREADED STUD M8x20 (50 mm.) J x4

BRACKET SUPPORT AEROKLAS DIVIDER 2022 H x2

NOTE: THE LHS IS THE SAME AS THE RHS SIDE.

**6**

TIGHTEN

SECTION VIEW

TIGHTEN KNOB SCREW TO CLAM BRACKET WITH CMS BY HAND

NOTE: THE LHS IS THE SAME AS THE RHS SIDE.

**7**

NEXT STEP

MAIN BODY AEROKLAS DIVIDER 2022 A x1

ASSEMBLE MAIN BODY DIVIDER WITH BRACKET SLIDE

**8**

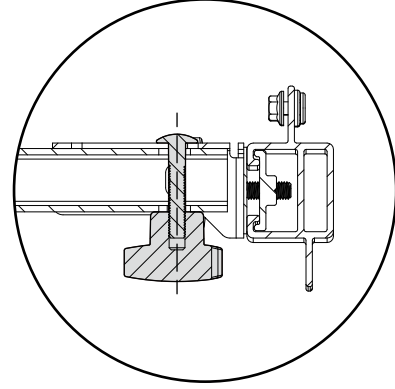
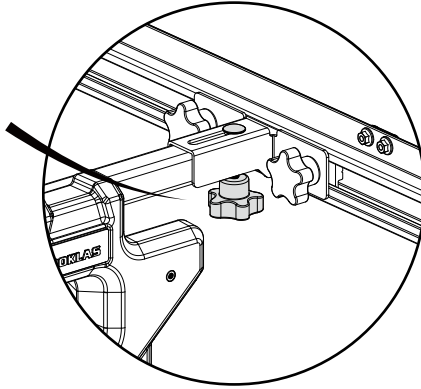
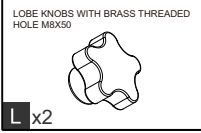
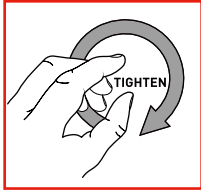
MUSHROOM HEAD SQUARE NECK BOLTS S5304 M8x45 mm. K x2

TOP VIEW

ASSEMBLE MAIN BODY DIVIDER WITH BRACKET SLIDE

NOTE: THE LHS IS THE SAME AS THE RHS SIDE.

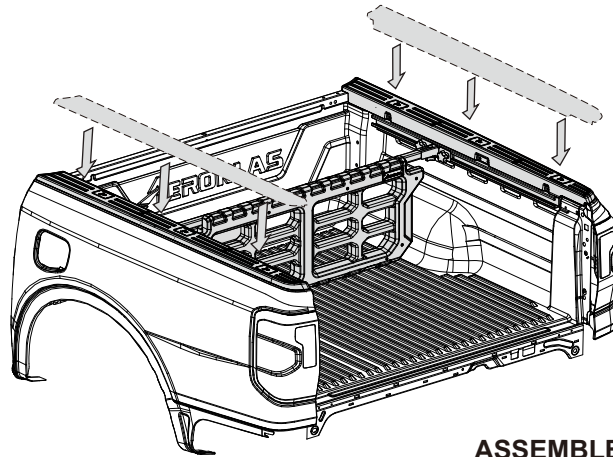
9



TIGHTEN KNOB SCREW

NOTE: THE LHS IS THE SAME AS THE RHS SIDE.

10



ASSEMBLE COVER ONTO TRUCK BOX

11