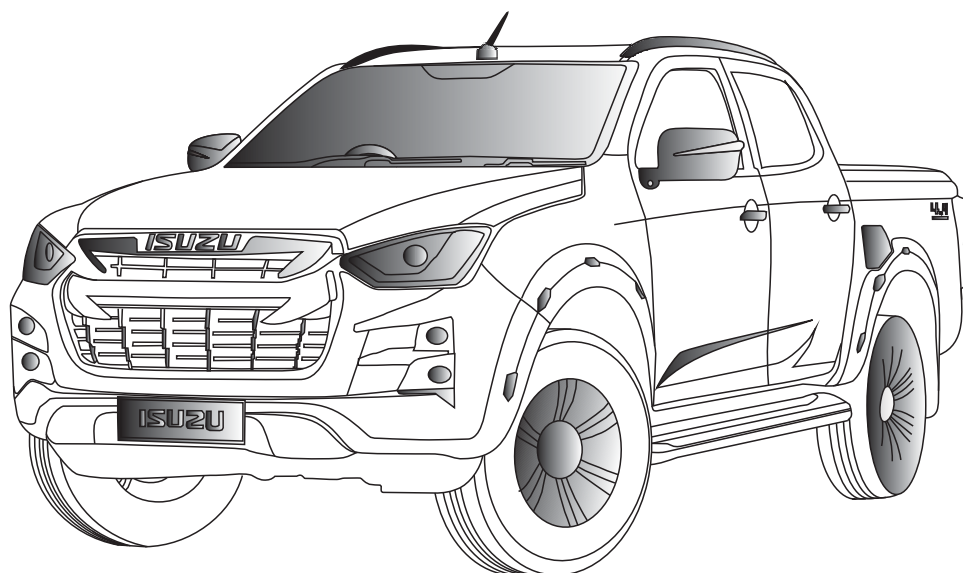
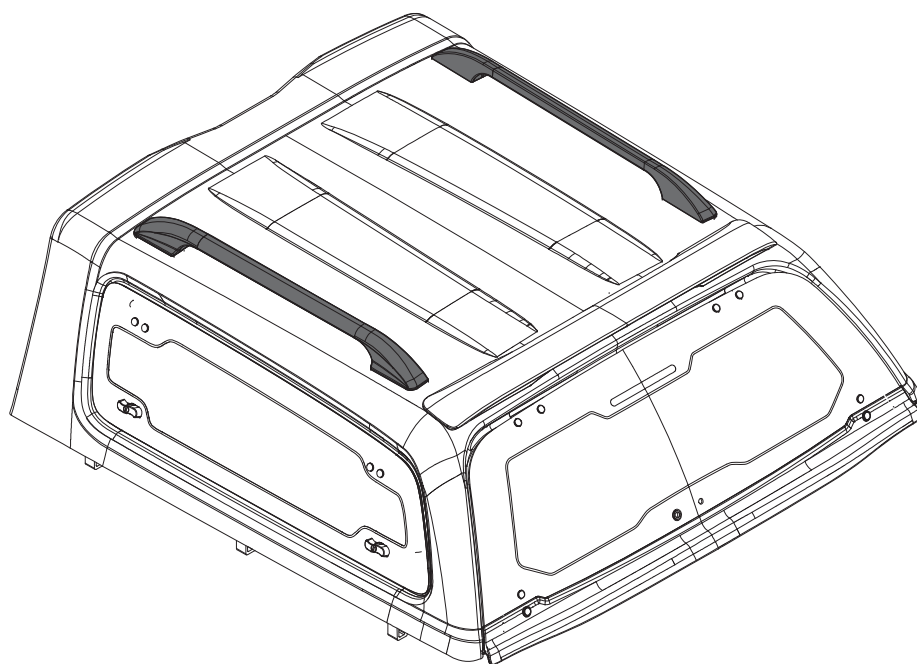


AEROKLAS

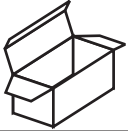
INSTALLATION MANUAL ISUZU D-MAX RG01 ROOF RAIL



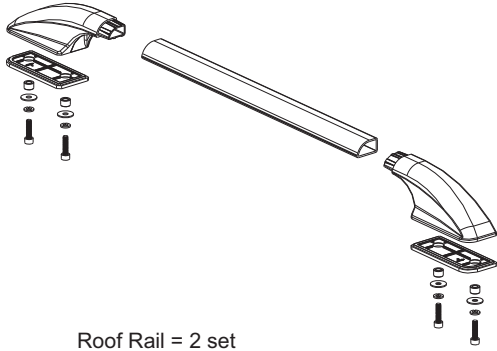
Installation time : 30 mins. For Roof Rail



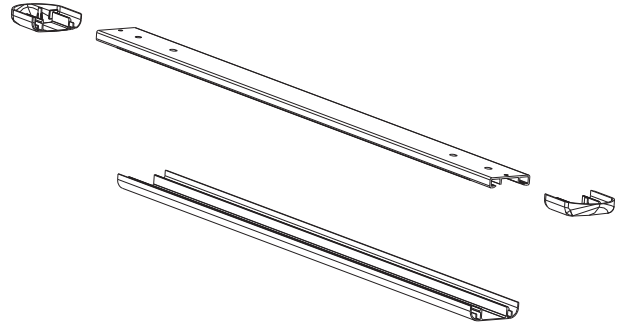
ROOF RAIL



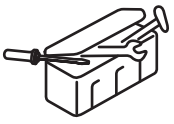
COMPONENT PART



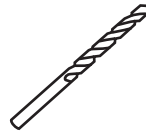
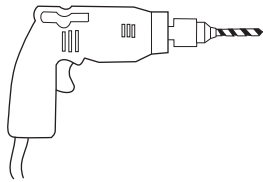
Roof Rail = 2 set



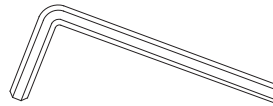
Structure Bar = 2 set



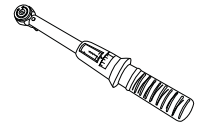
TOOLS



Drill \varnothing 15 mm.

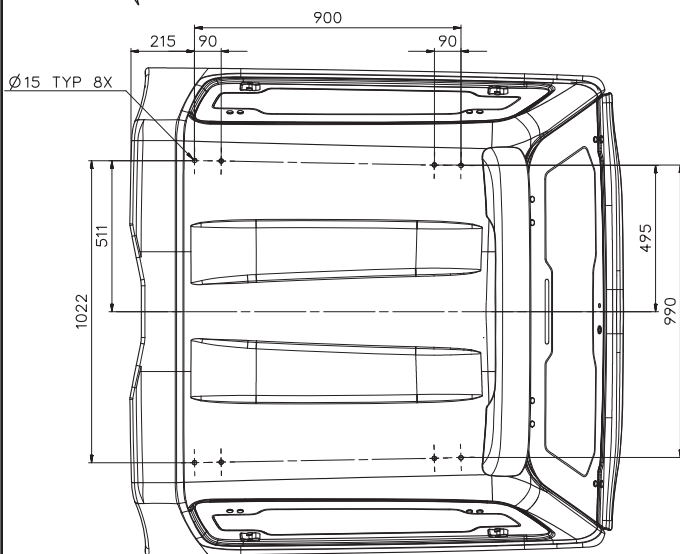
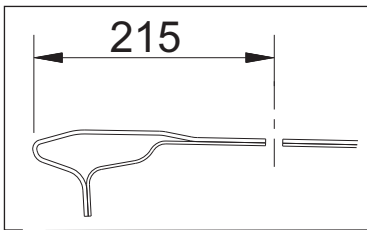


No.6 mm.

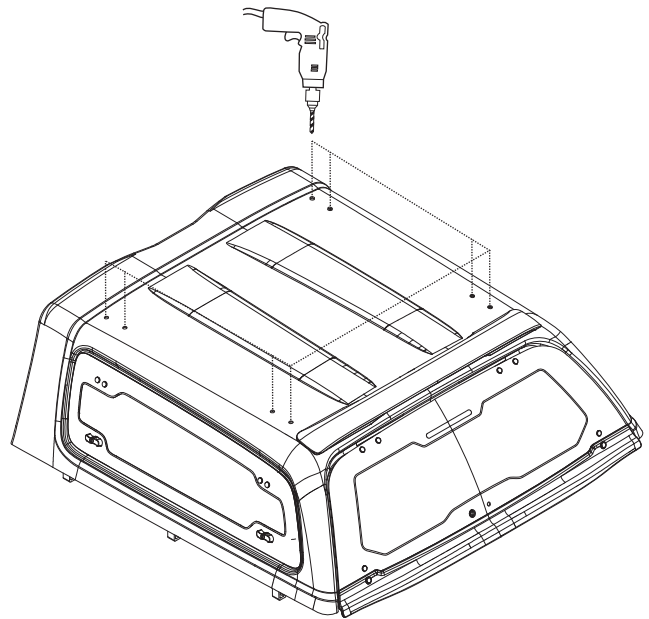


Torque Wrench

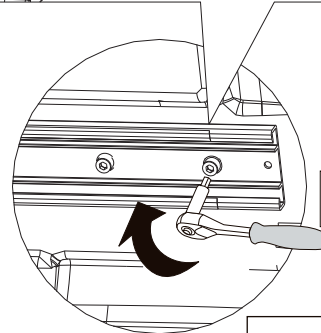
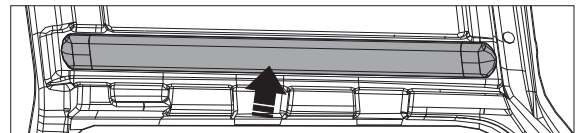
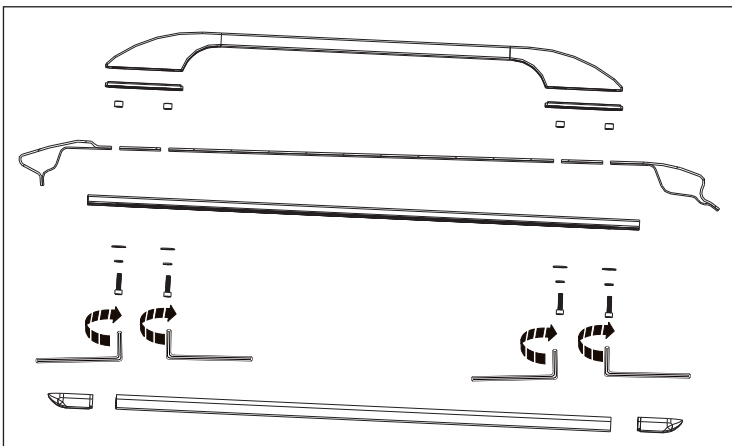
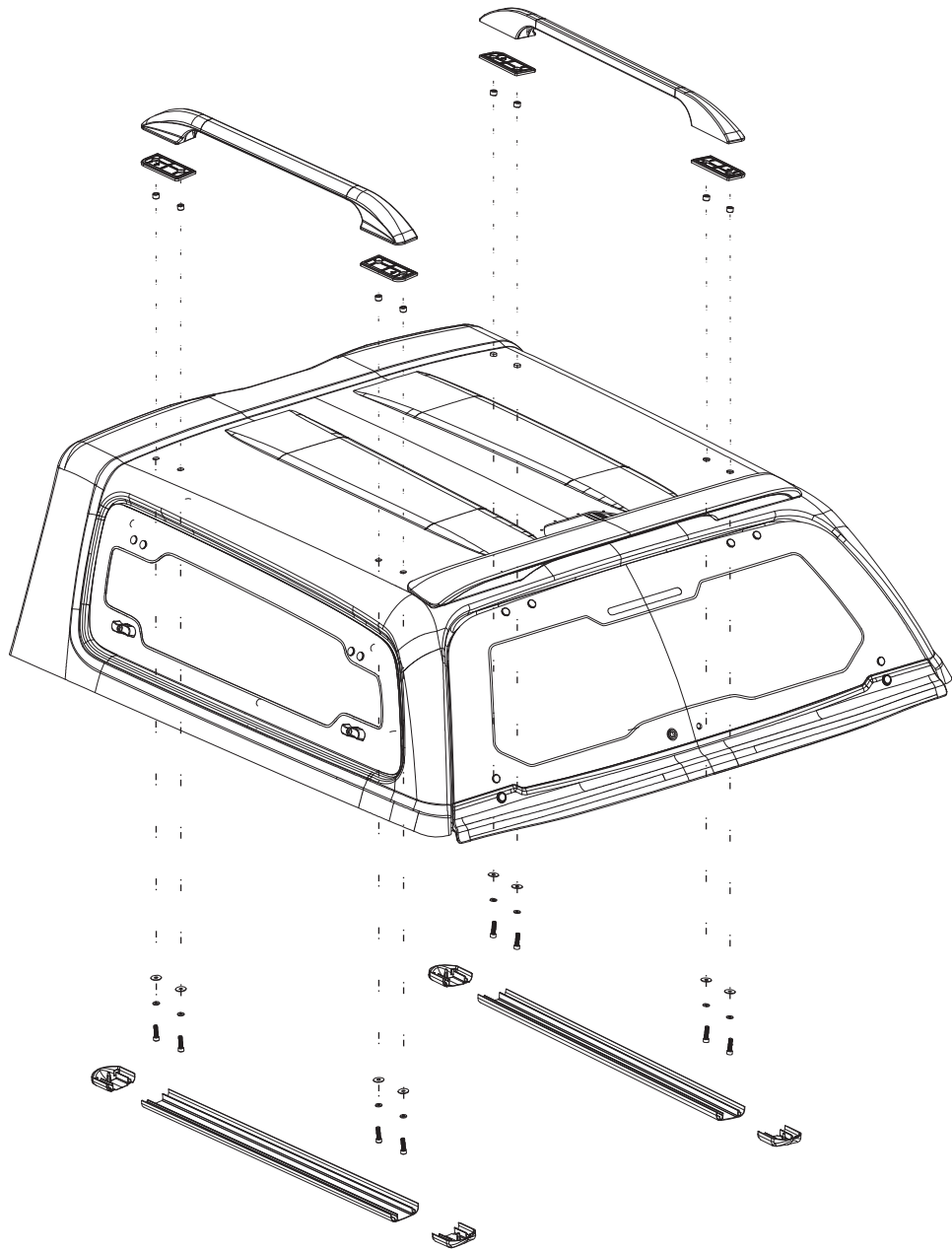
1



2



3



Torque 12 Nm.

