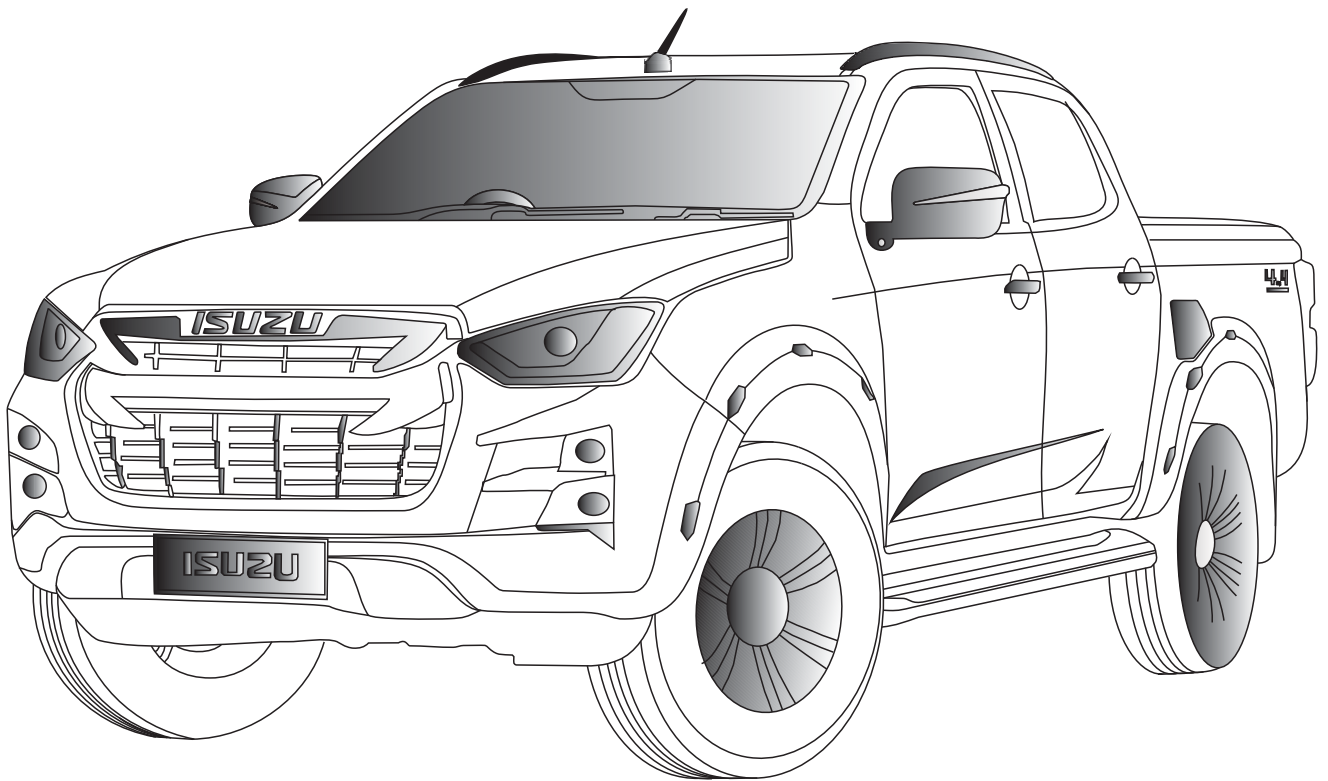


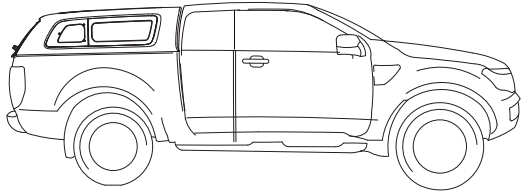
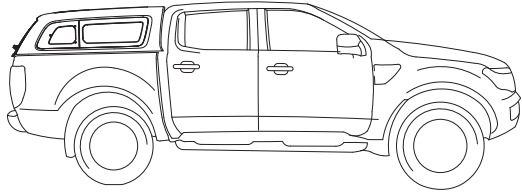
INSTALLATION MANUAL CANOPY ISUZU D-MAX ALL NEW 2020



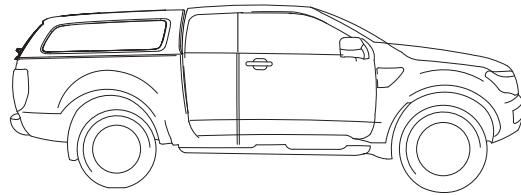
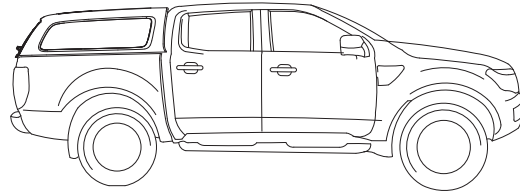
AEROKLAS CO., LTD.

62 Soi Bangna-Trad 25, Bangna-Trad Rd. Bangna, Bangkok 10260 THAILAND.
Tel: (662) 7443020 Direct Line: (662) 7443034-5 Fax: (662) 7443033
www.aeroklas.com E-mail: webinfo@aeroklas.com

STYLISH



COMMERCIAL

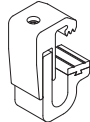


D/C

SP/C



X4



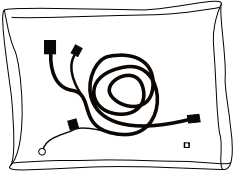
X6



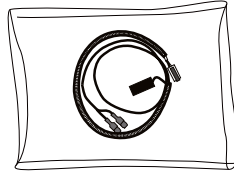
X6 (OPTIONAL)



X3

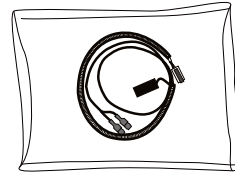


X1



X1

(OPTIONAL FOR DEMISTER)



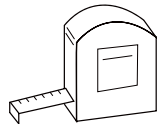
X1

(OPTIONAL FOR RKE)

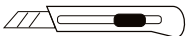
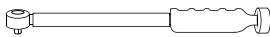
SPECIAL TOOLS



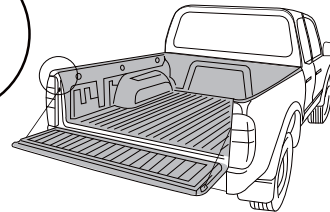
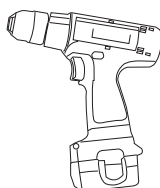
No.10,12



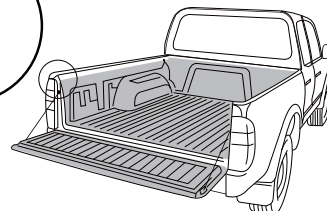
No.5



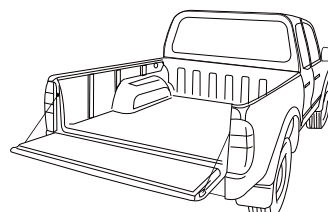
42 mm.



1-10

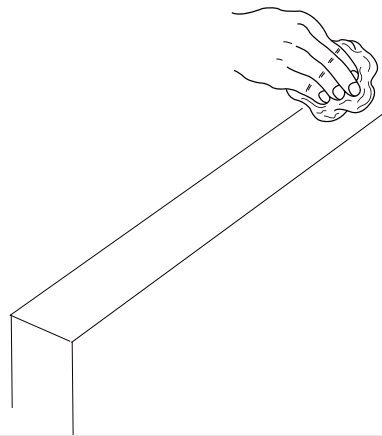
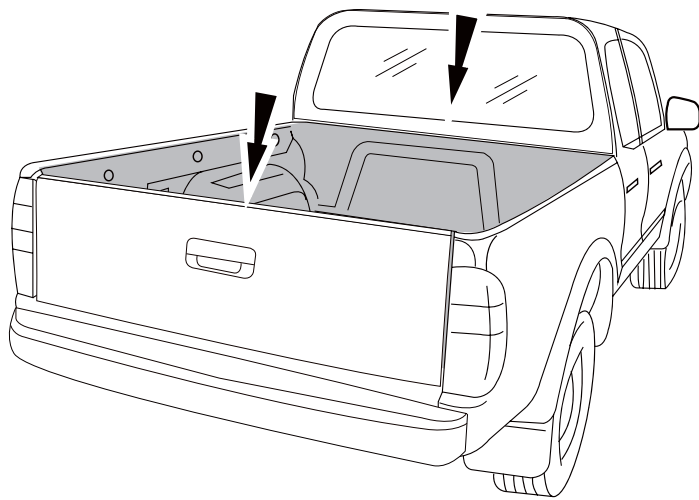


1-10

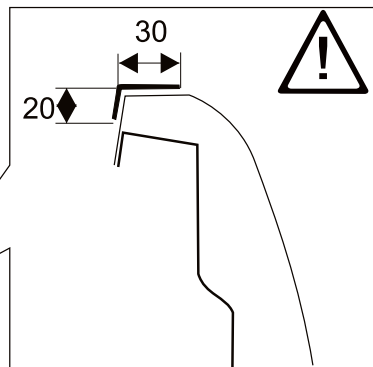
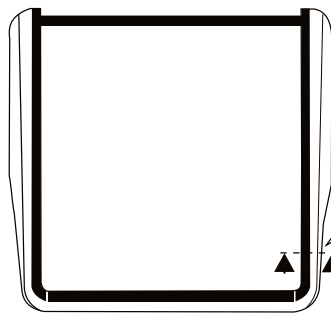
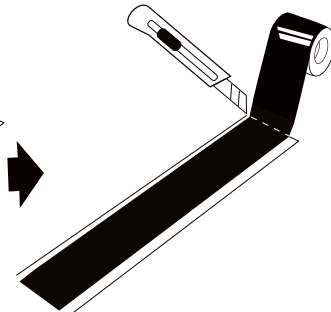
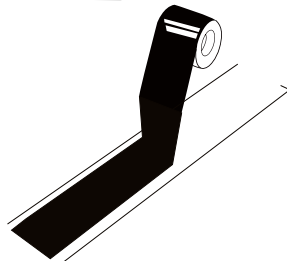
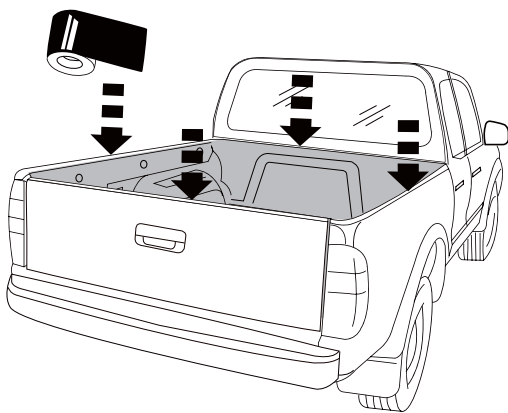


1-10

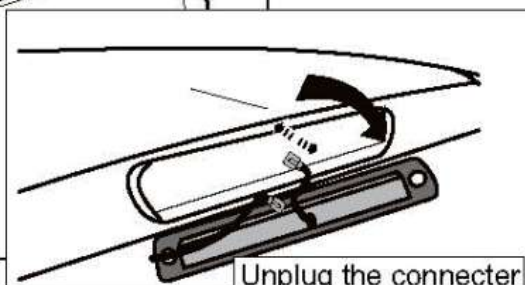
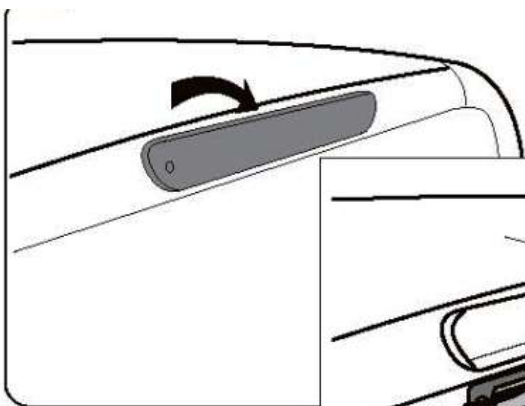
1



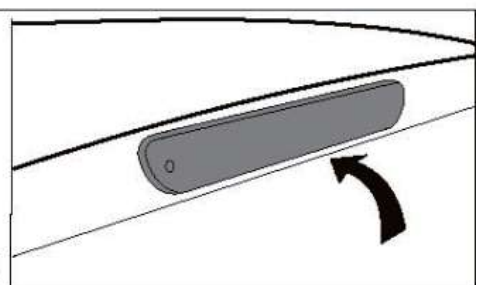
2

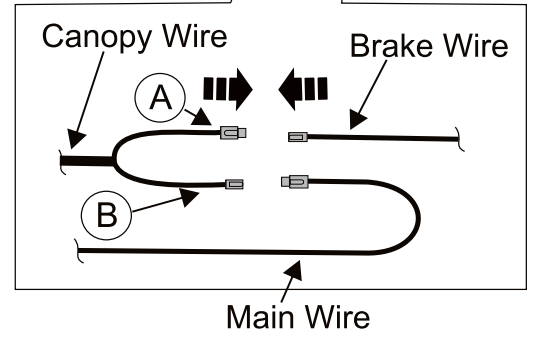
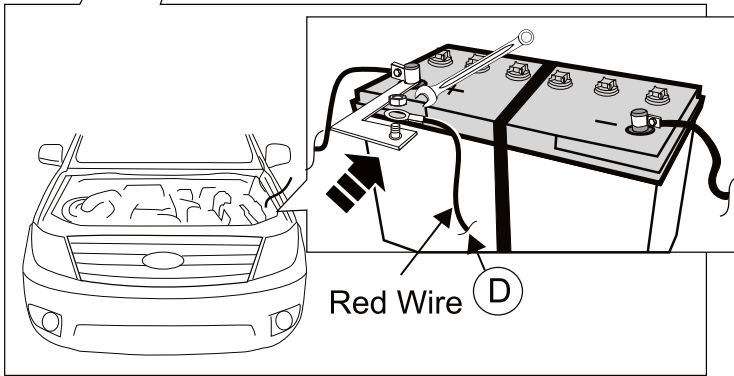
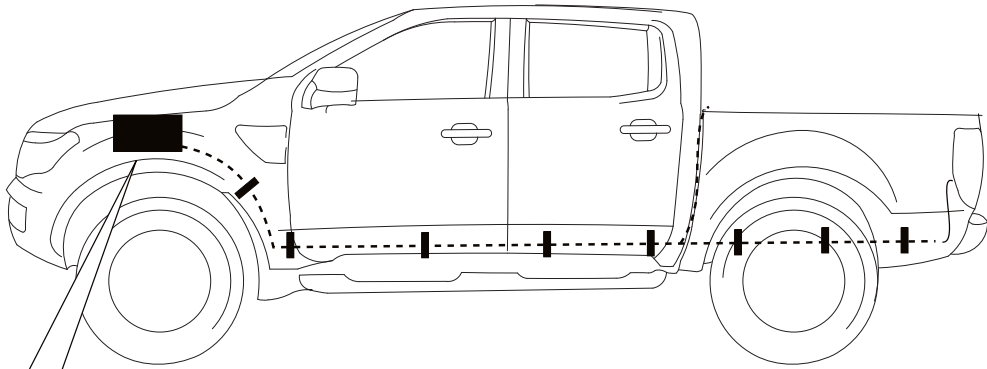
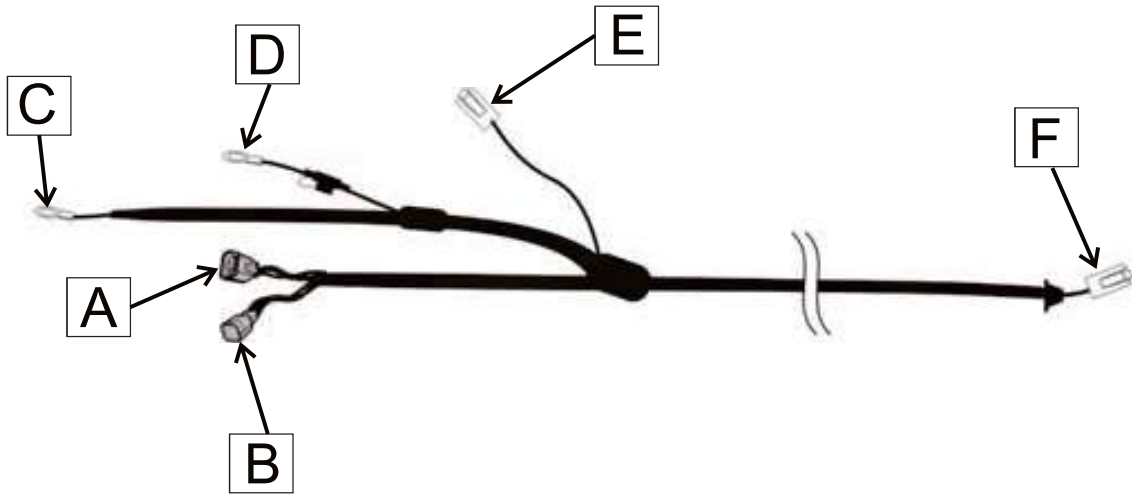


3

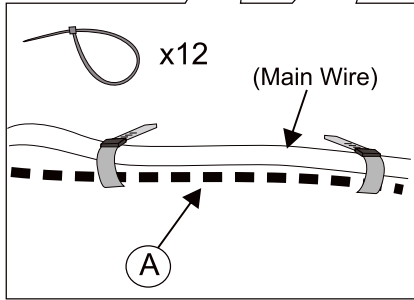
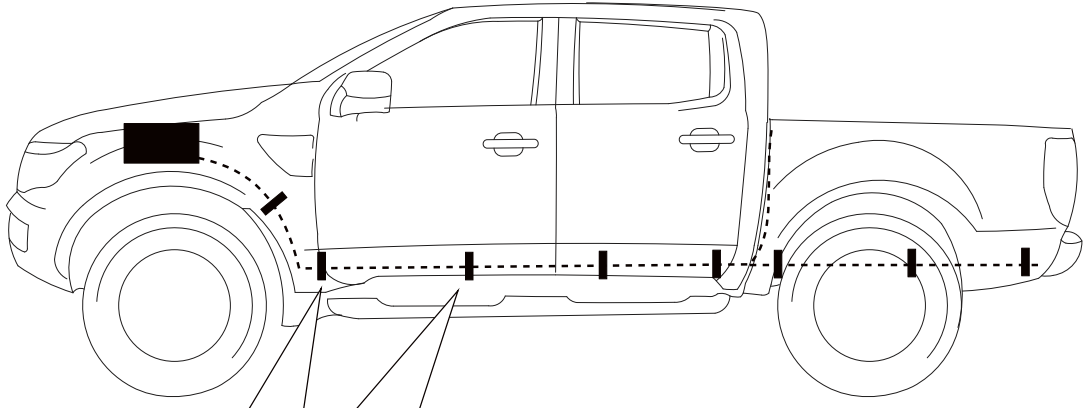


Unplug the connector





4.1

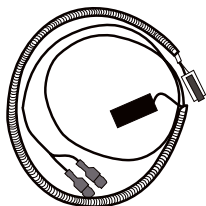
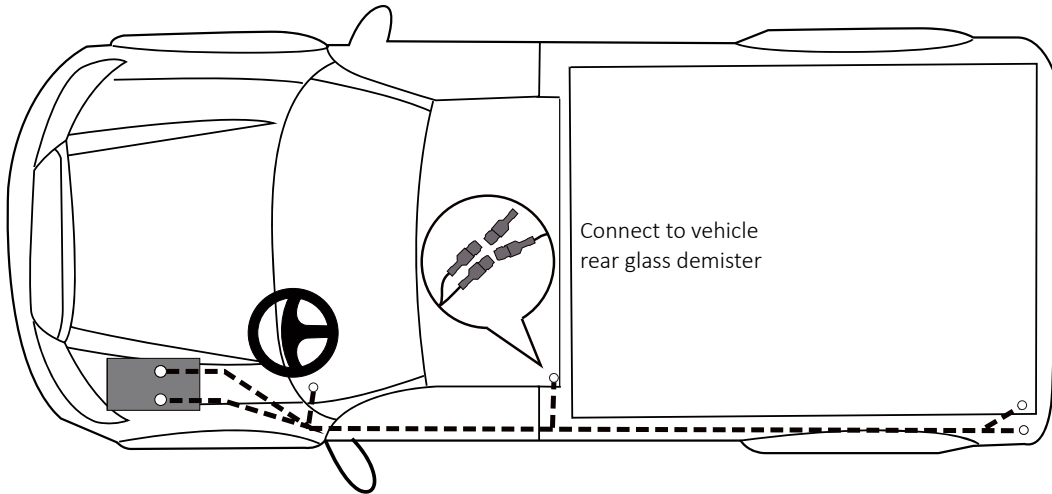


----- = (A)
————— = (Main Wire)

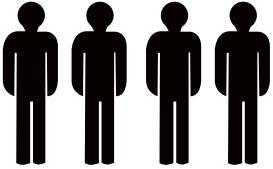
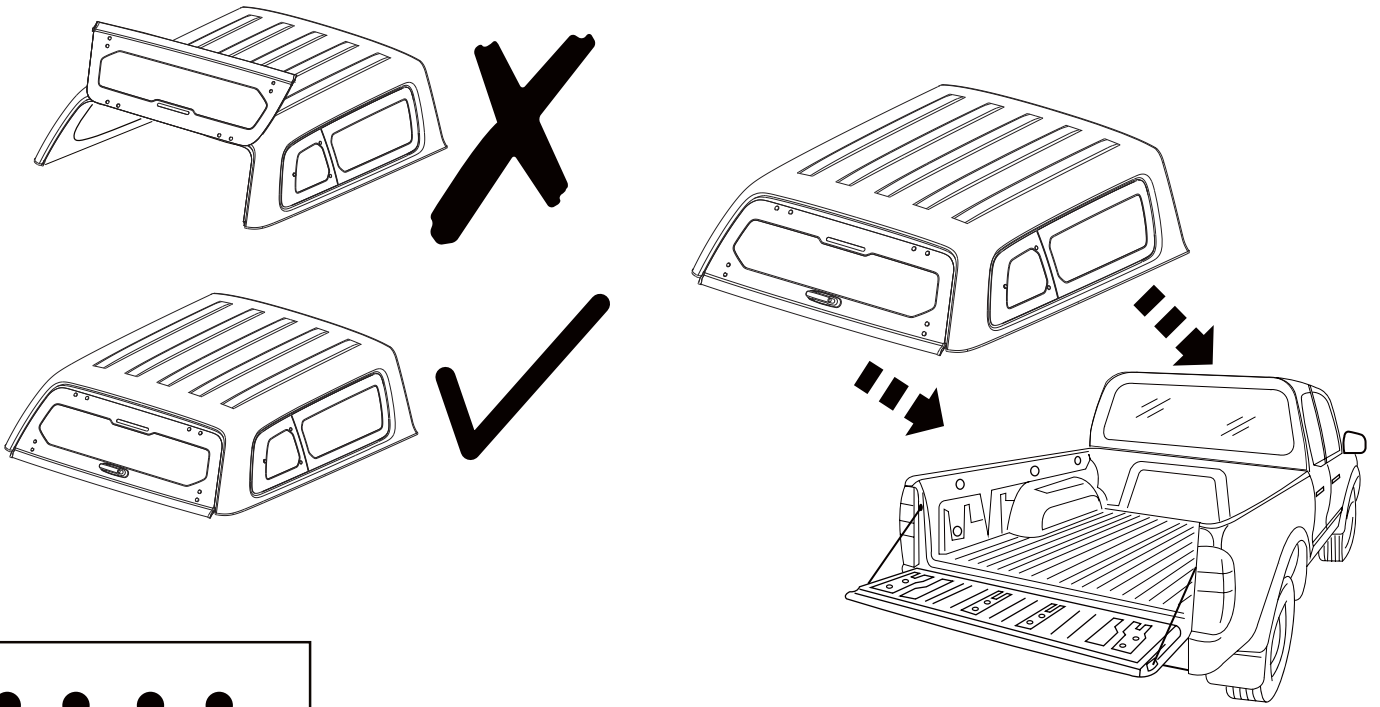


4.2

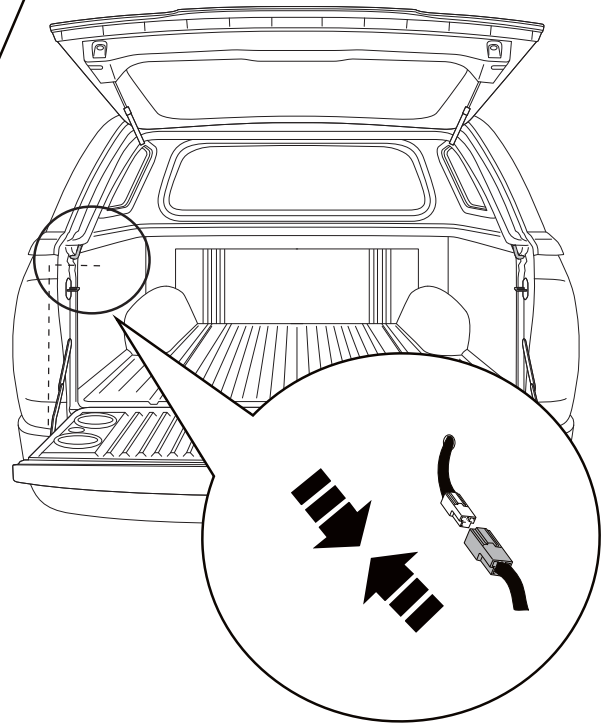
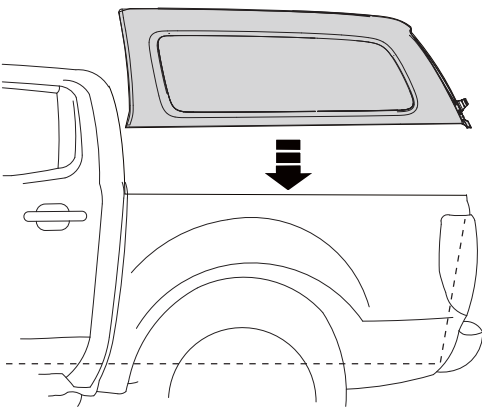
OPTIONAL FOR DEMISTER



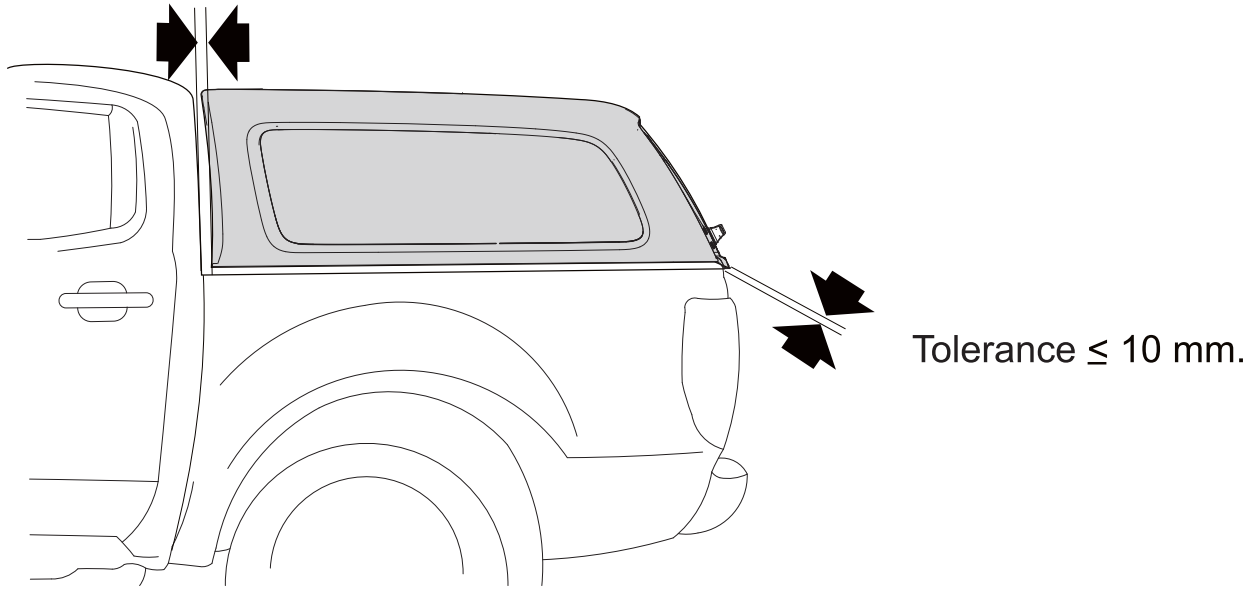
5



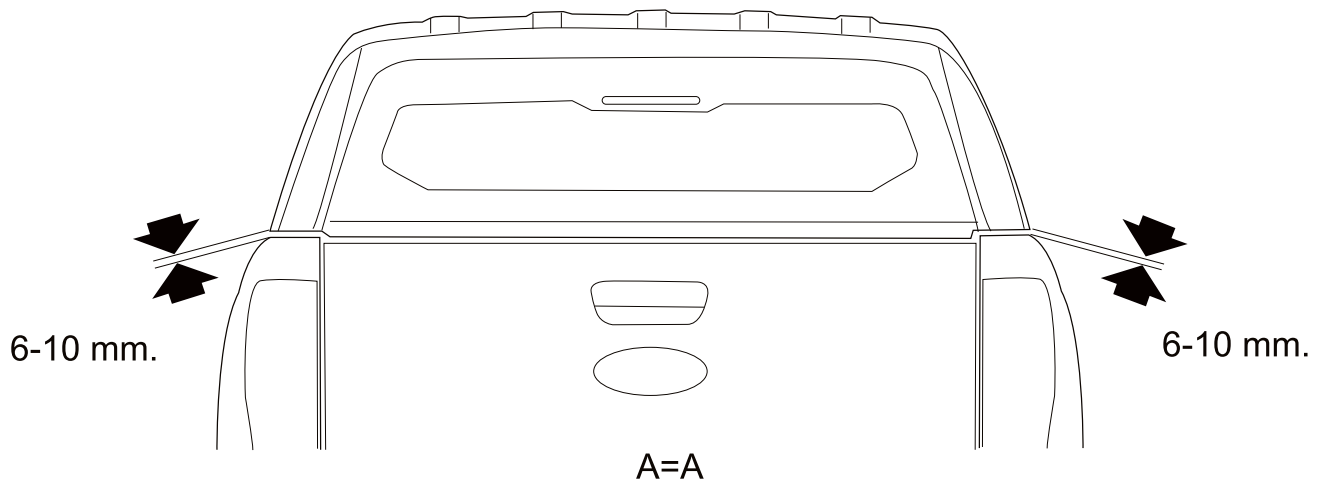
6

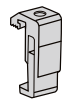


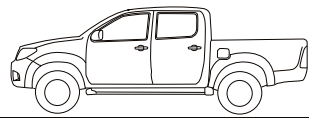
6.1

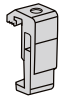


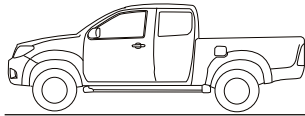
6.2






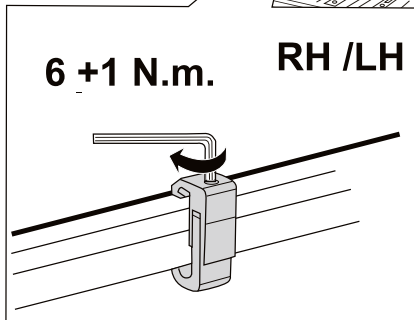
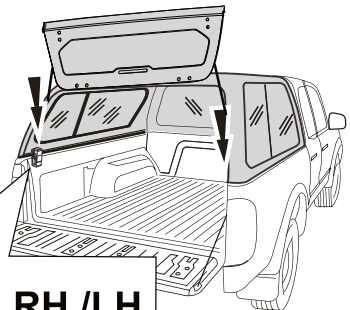
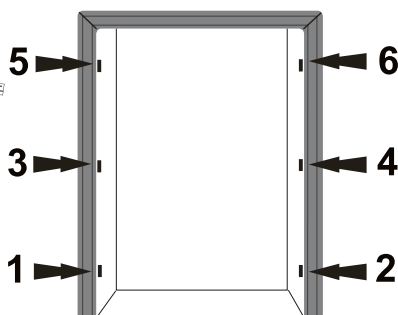
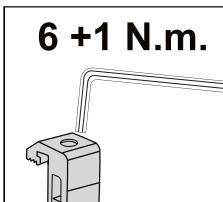
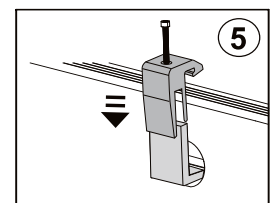
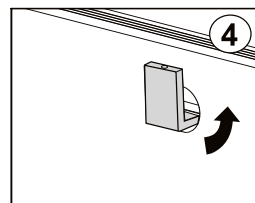
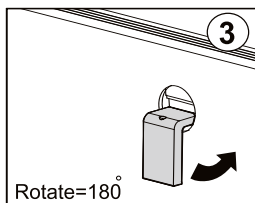
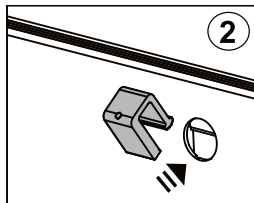
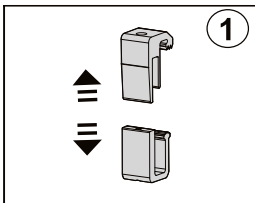
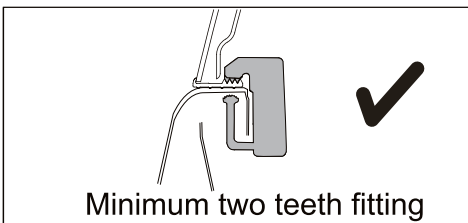
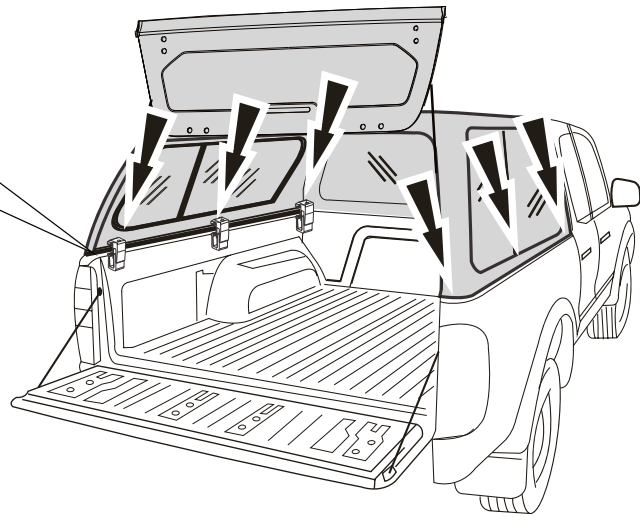
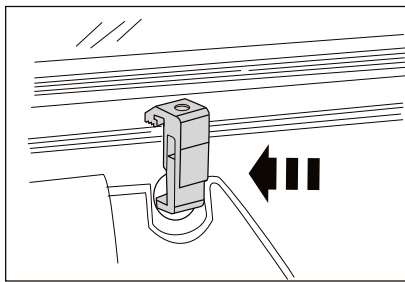
 x 6



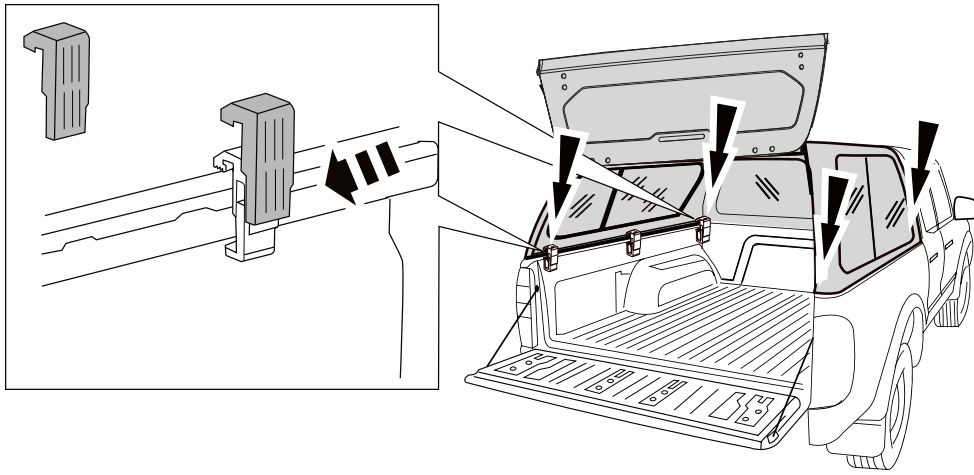
 x 6



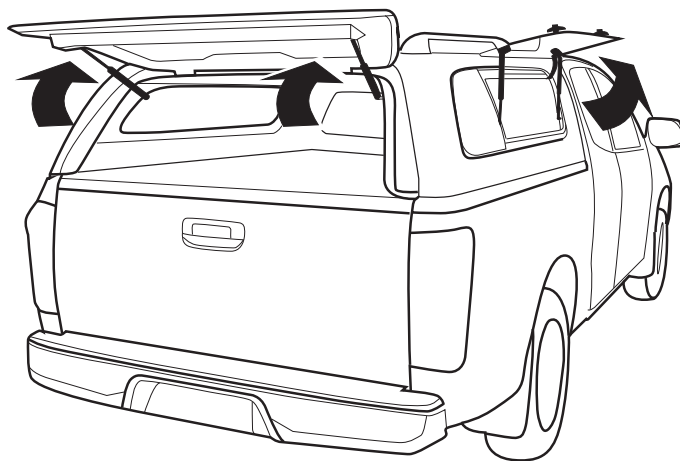
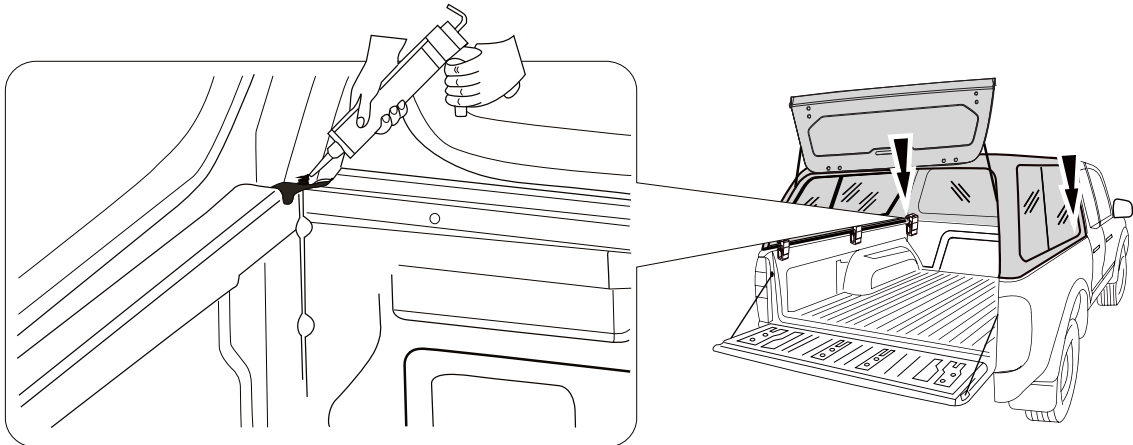
		
150	540	540
160	690	690



9



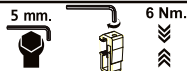
10



WARNINGS!



5000 Km
3000 Miles

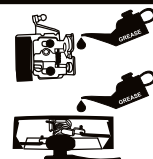


WARNING

Do not drive the vehicle at speed with the tailgate opened



5000 Km
3000 Miles



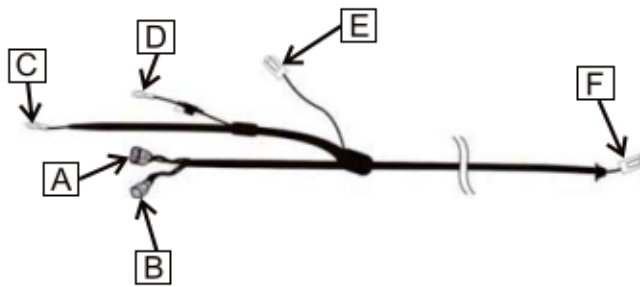
WARNING

Heated rear screen should be turned off after defrosting
Not for extended use

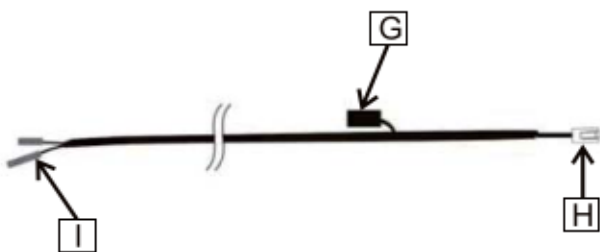


Wiring diagram for ISUZU D-MAX

Power electric wires



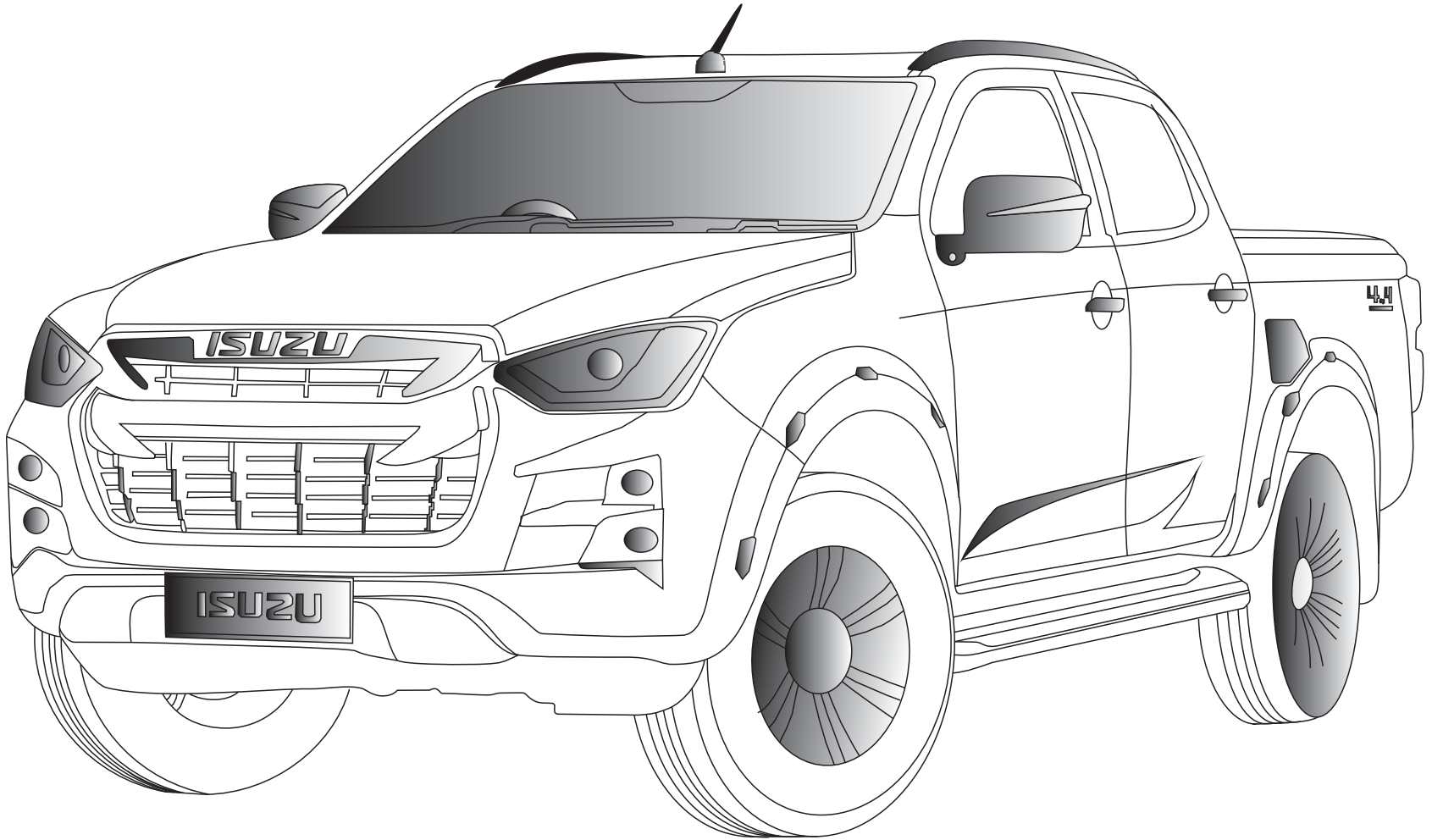
Demister (Optional)



Point	Photo	Function	Referencemaual
A		Connect to Rear tail lamp	
B		Connect to Rear tail lamp	
C		Connect to Battery cathode	
D		Connect to Battery anode	
E		Connect to Demister(H) (Optional)	
F		Connect to canopy	
G		Relay & Fuse	
H		Connect to power Electricwires(E)	
I		Connect to Vehicle rear glass demister	

AEROKLAS

**Remote Keyless Entry CANOPY
ISUZU D-MAX ALL NEW 2020**

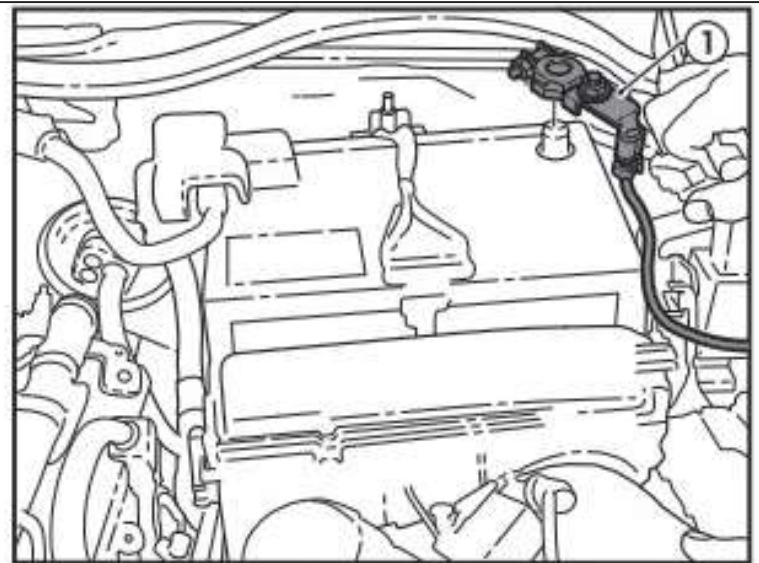


Important



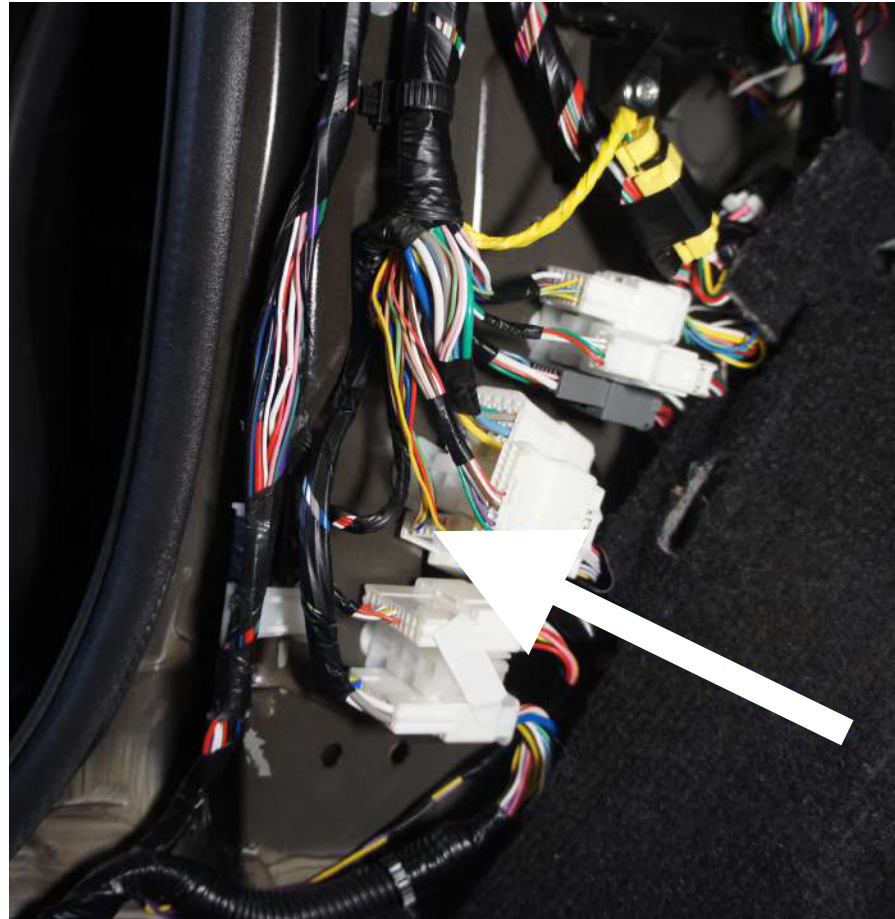
Always refer to the vehicle's Workshop Manual when removing vehicle components.

- Note down all clock and radio settings.
- In the engine bay, disconnect the negative battery terminal (1).

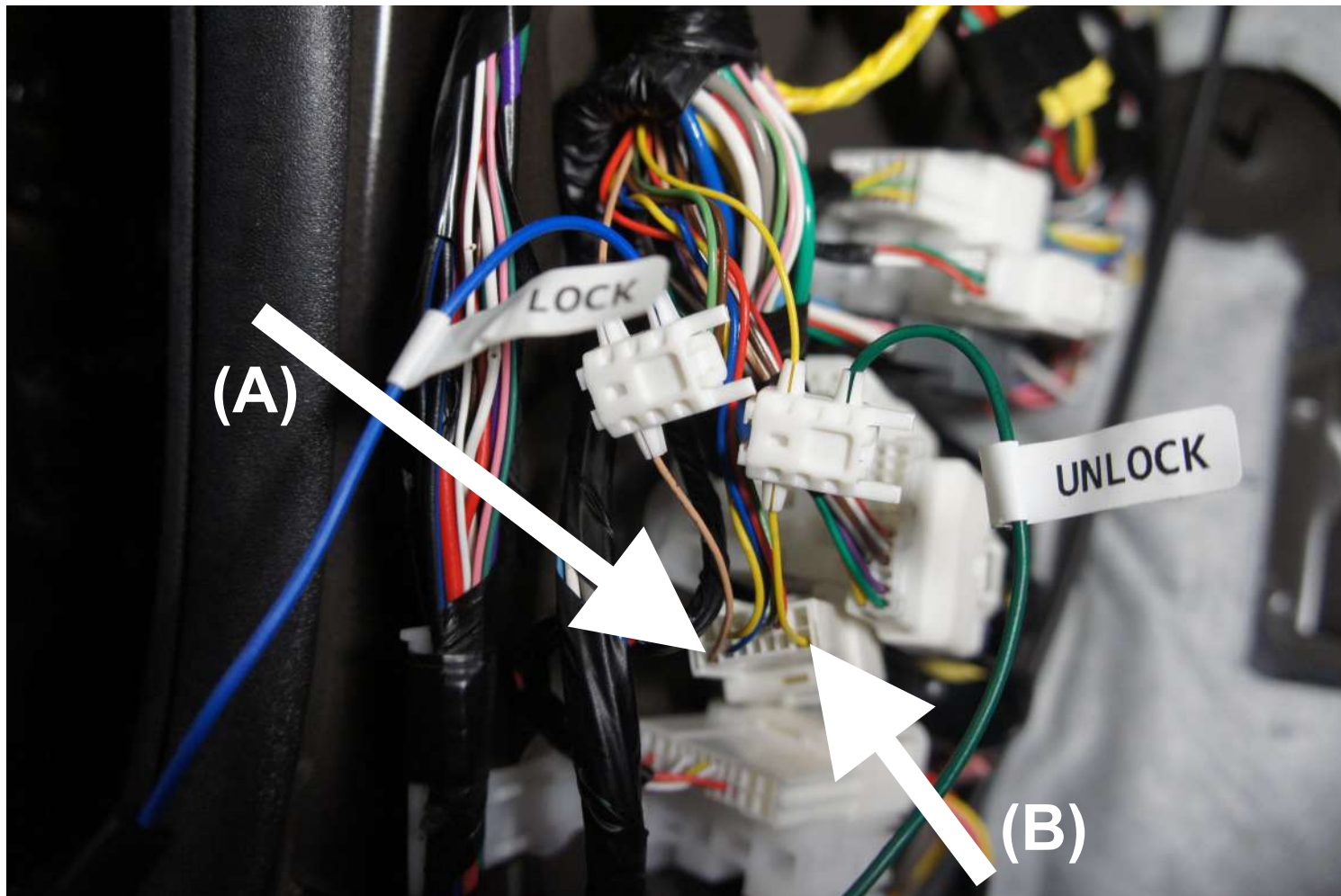


On RG-01 D-Max, remove the LHS kick panel under the steering-wheel.

Locate LHS door inline connector as shown



(A) Locate the LIGHT BROWN cable(1st down on left). Pale BLUE canopy cable "LOCK" using the scotch lock as shown.



(B) Locate the YELLOW cable(1st down on right). Pale GREEN canopy cable "UNLOCK" using the scotch lock as shown.