

Mountain Top® Bed Divider

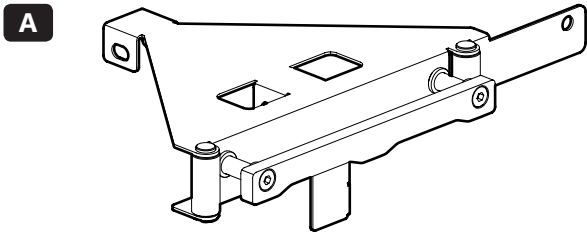
Installation manual



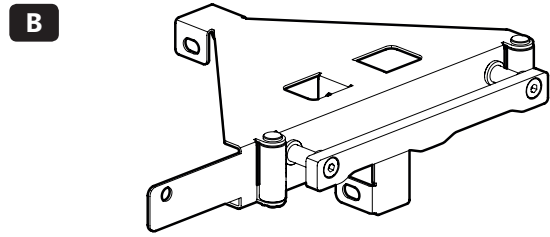
DOWNLOAD PDF



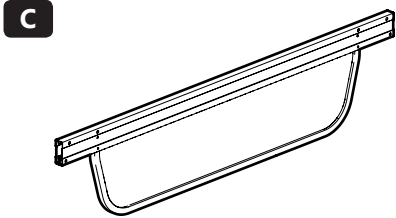
Parts



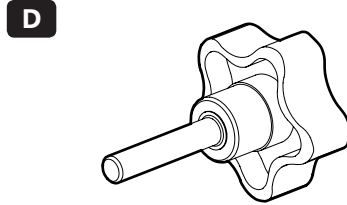
x 1



x 1



x 1



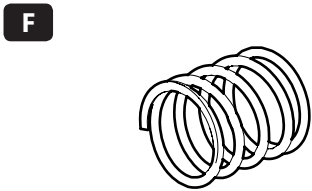
x 2



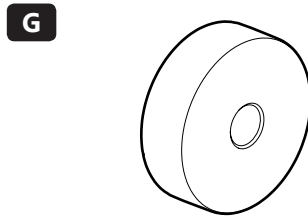
x 1



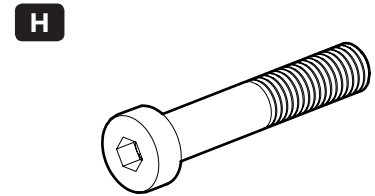
Kit



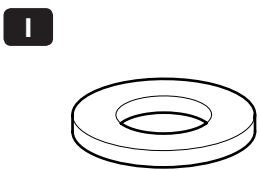
x 2



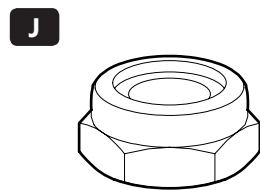
x 2



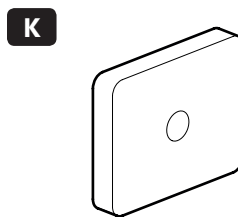
x 6



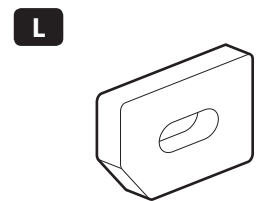
x 12



x 6



x 2

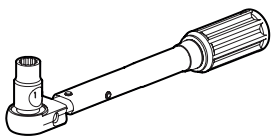


x 2

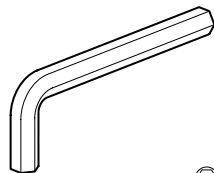


Tools and materials needed

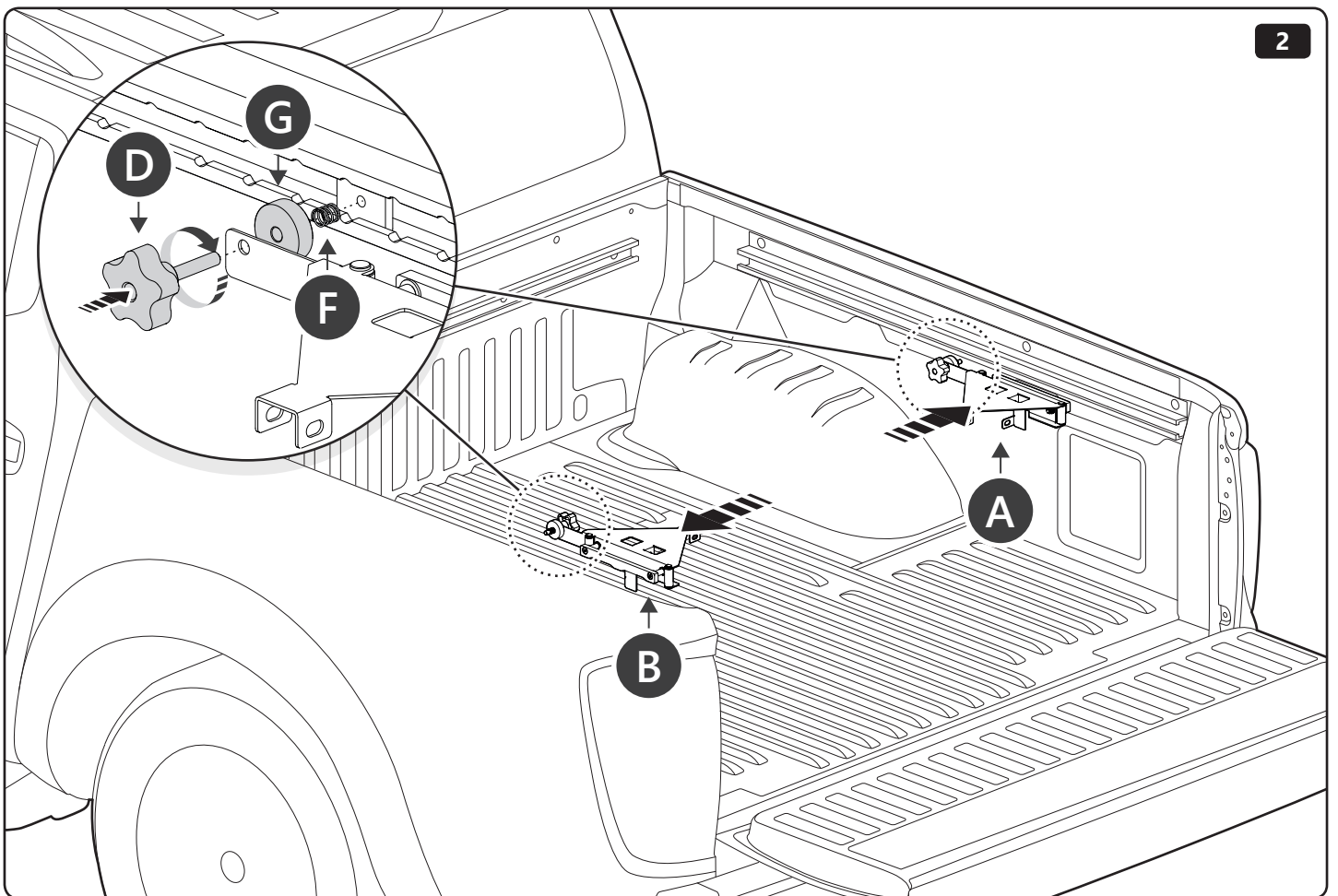
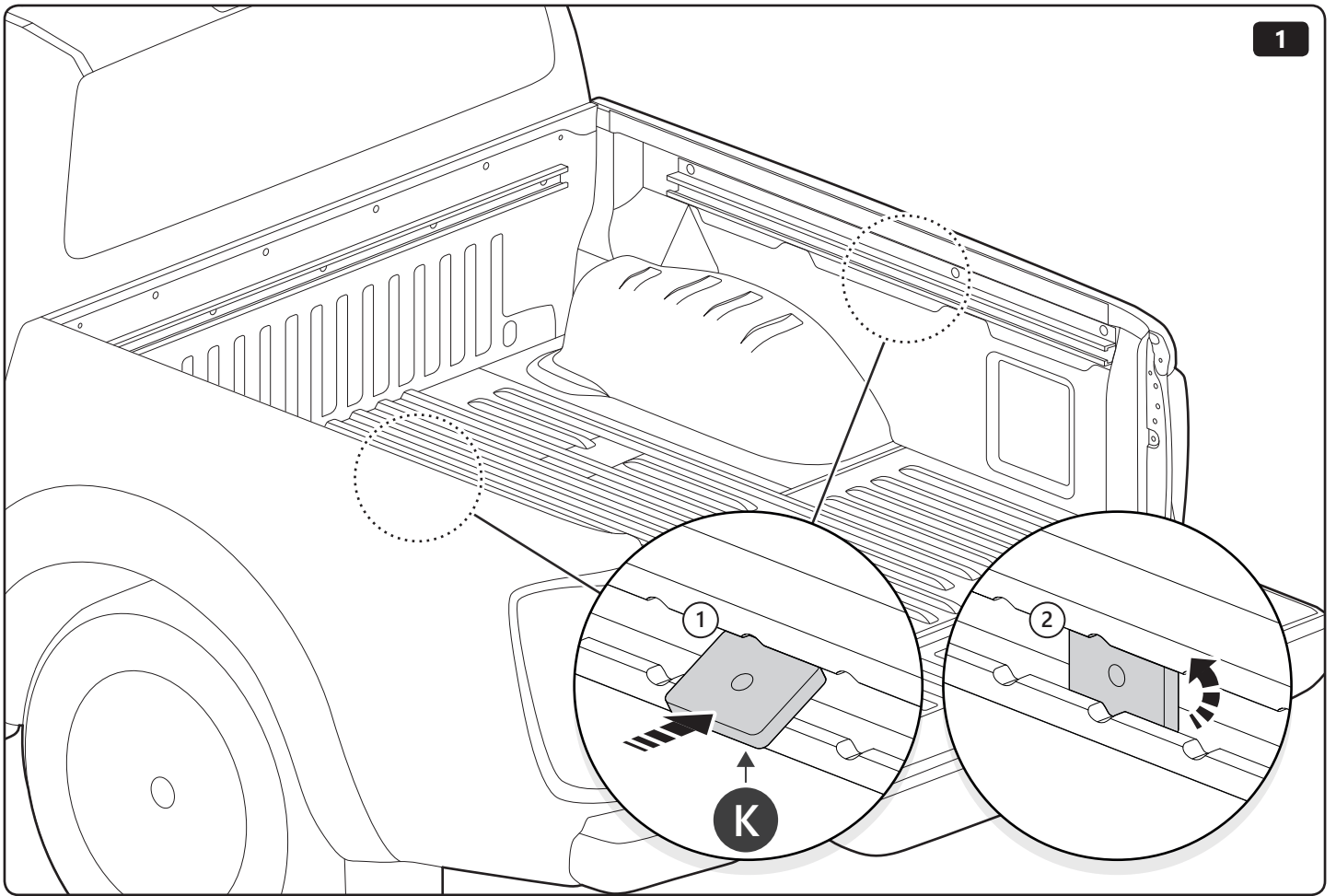
1 - 25 Nm

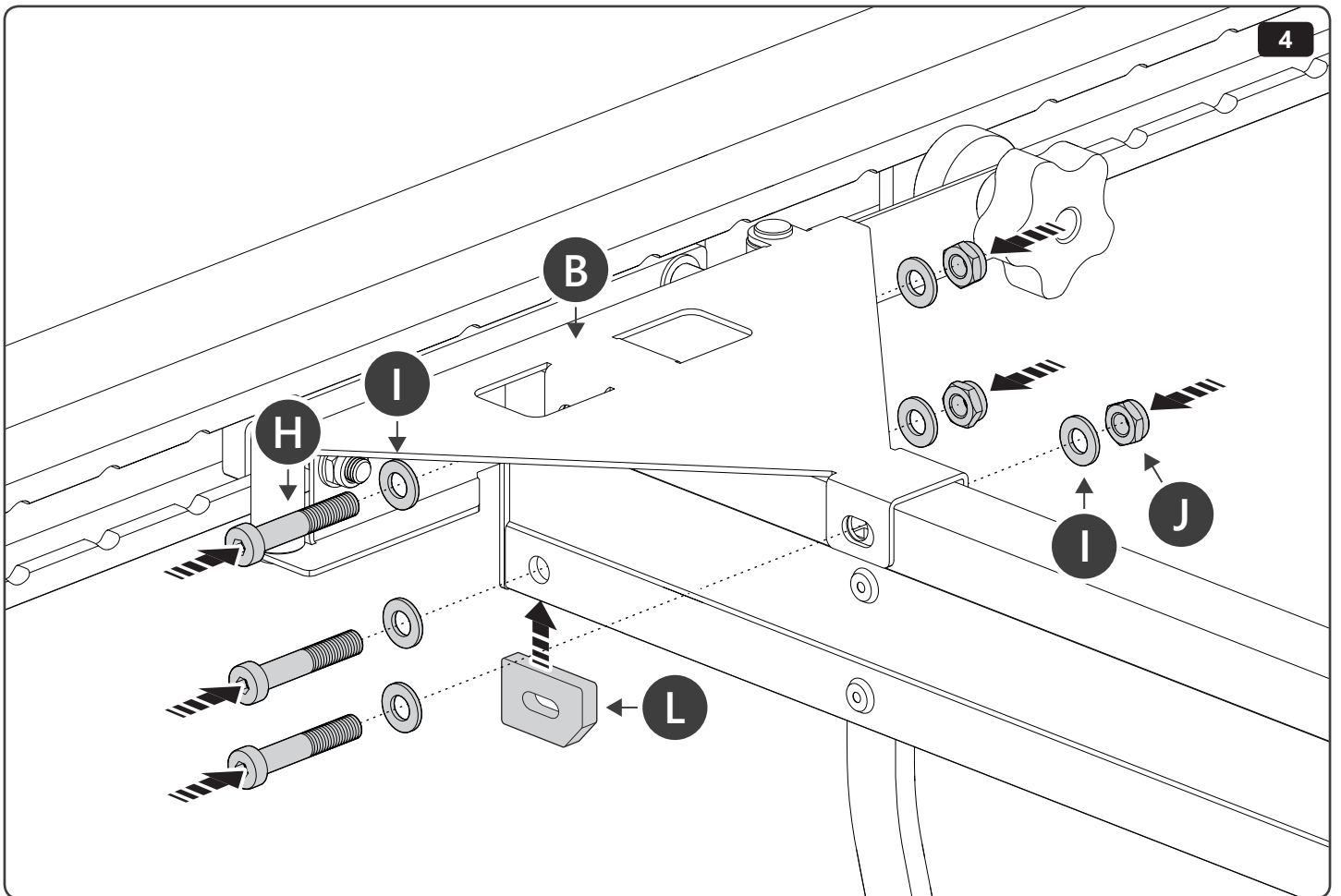
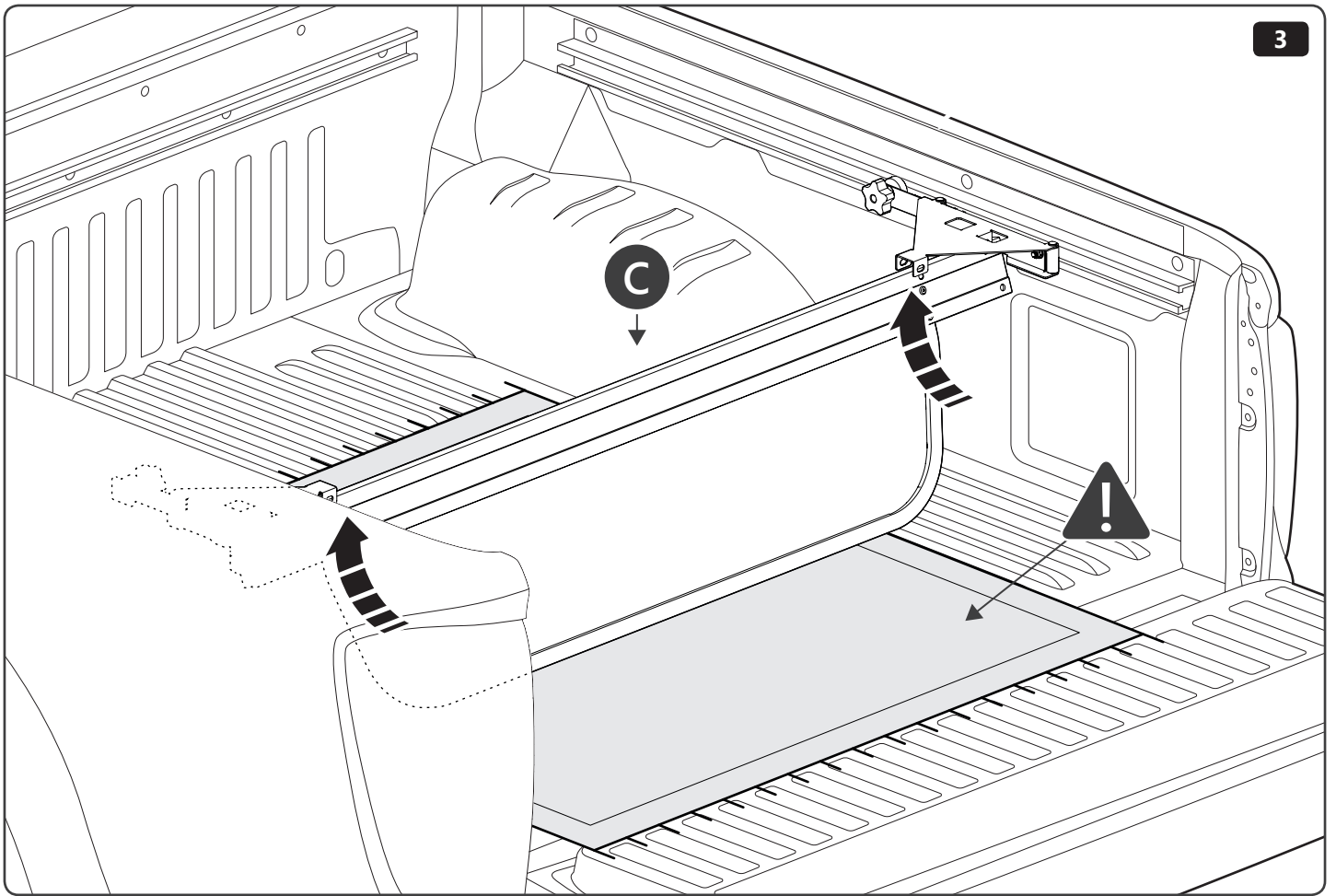


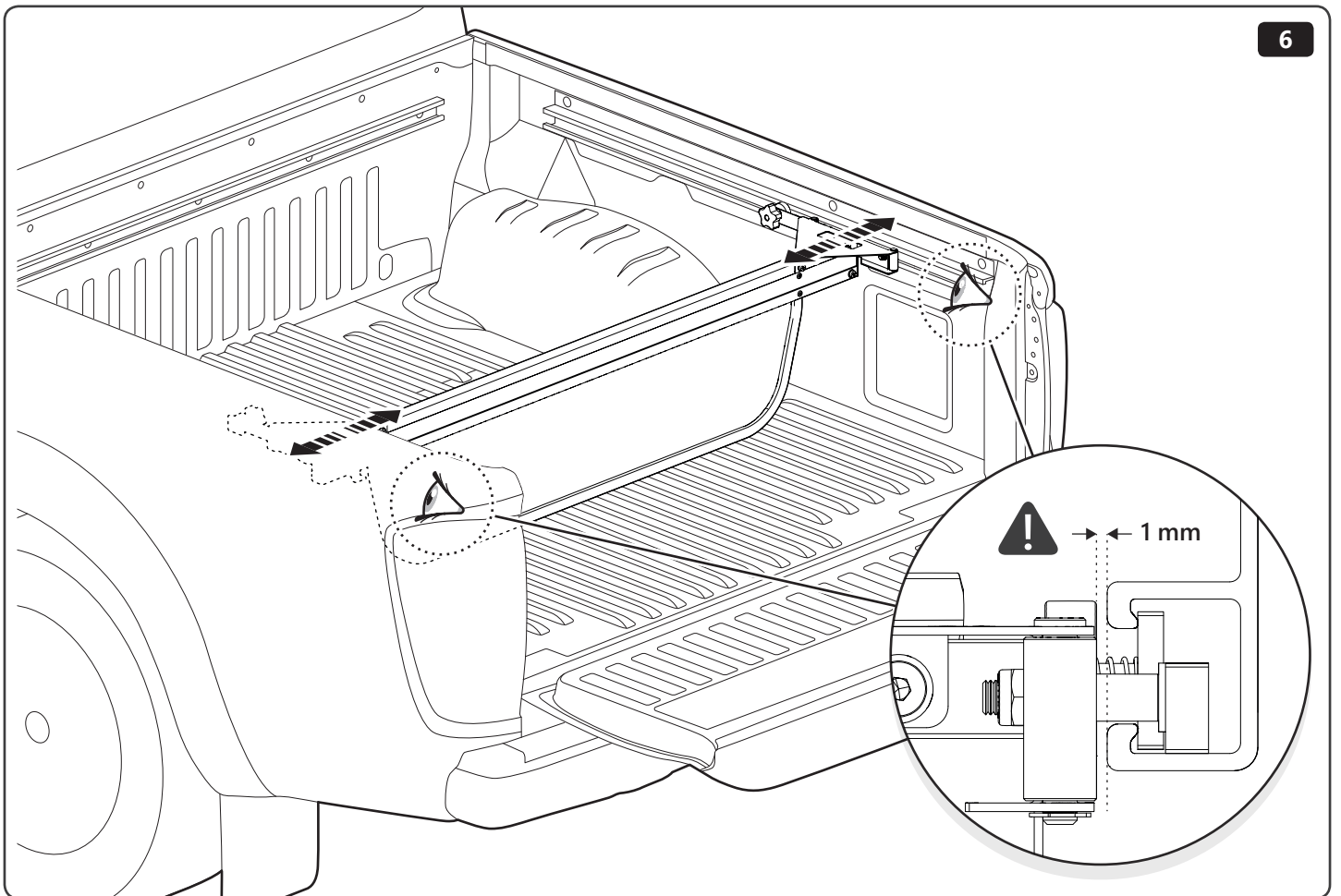
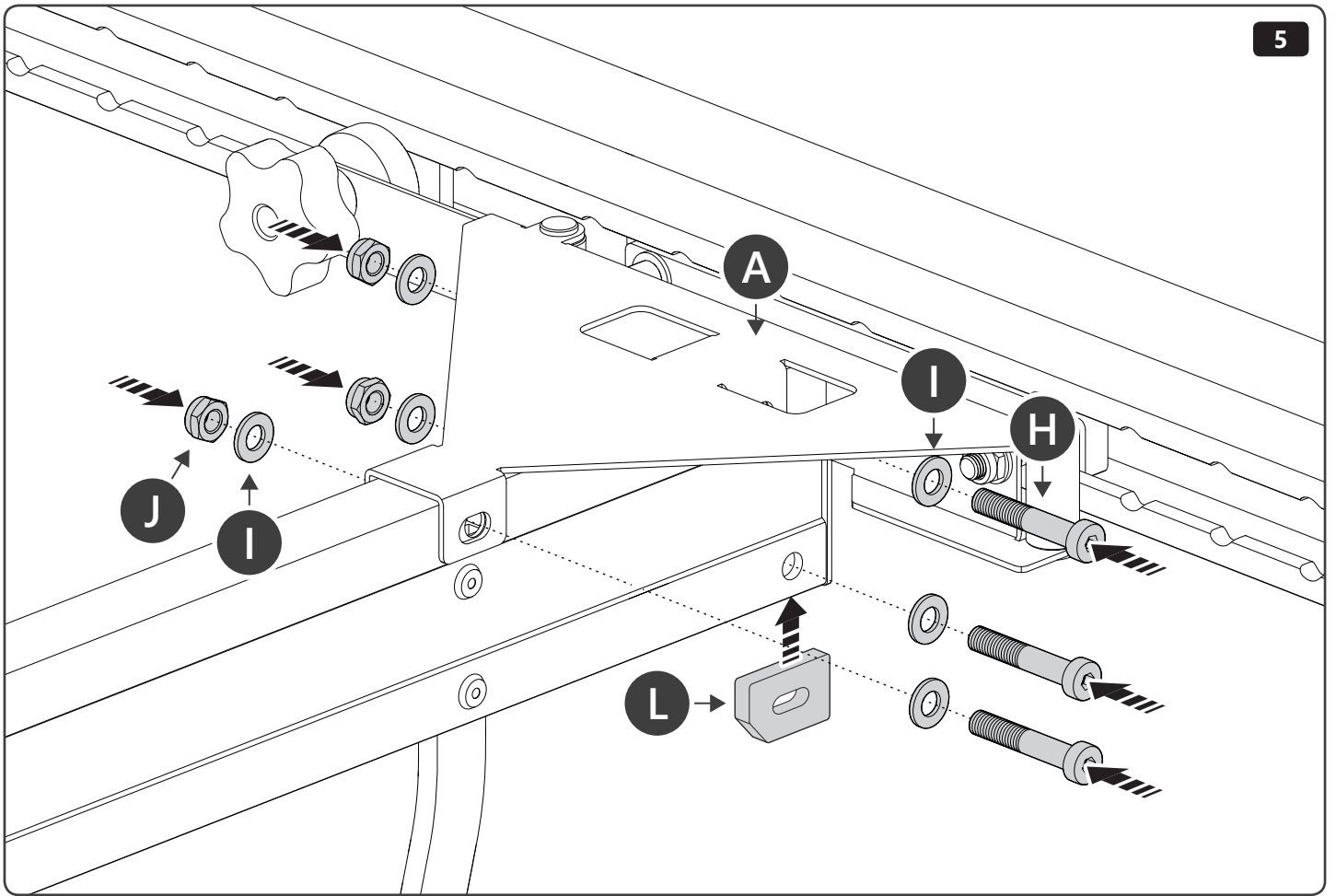
13 mm



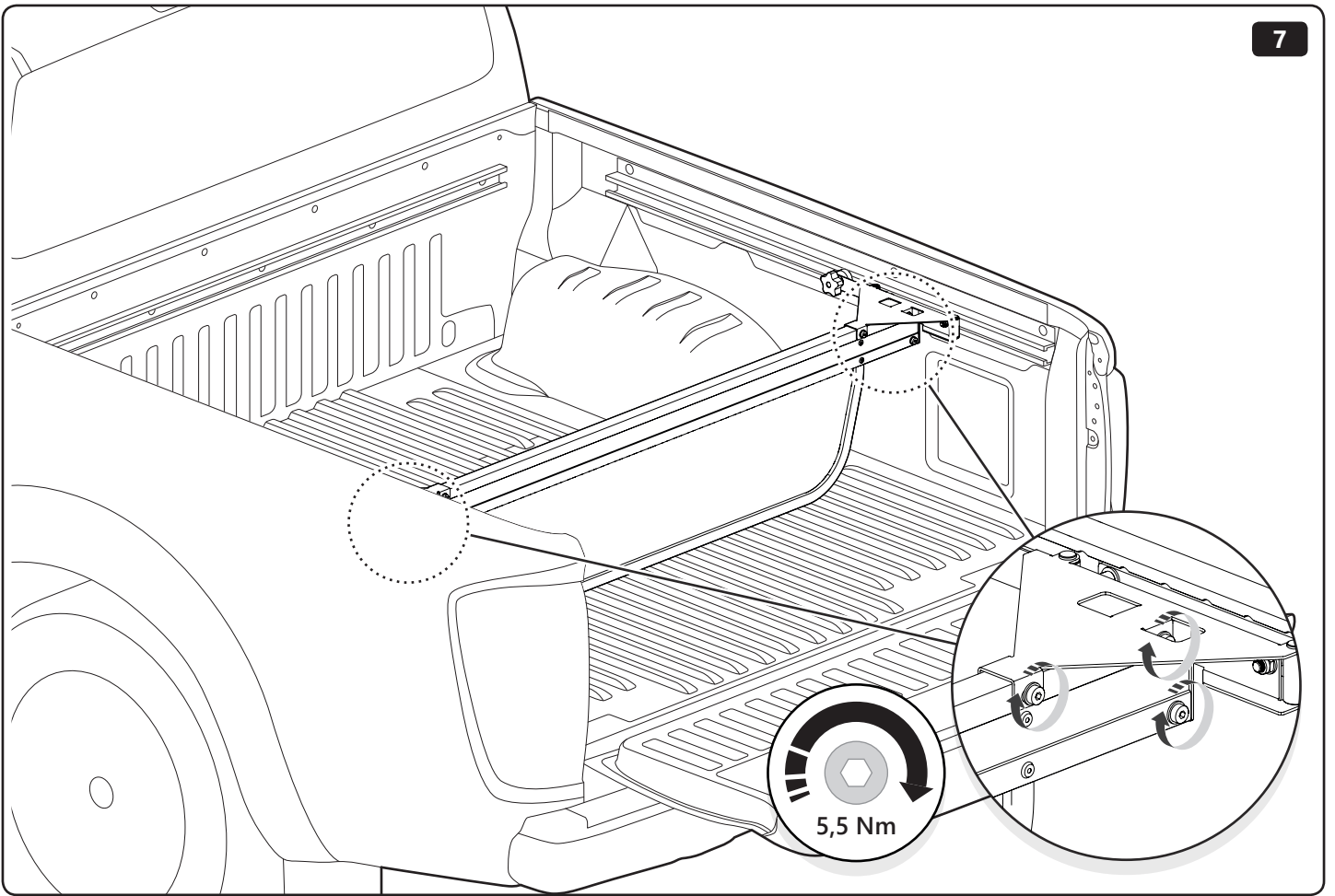
5 mm



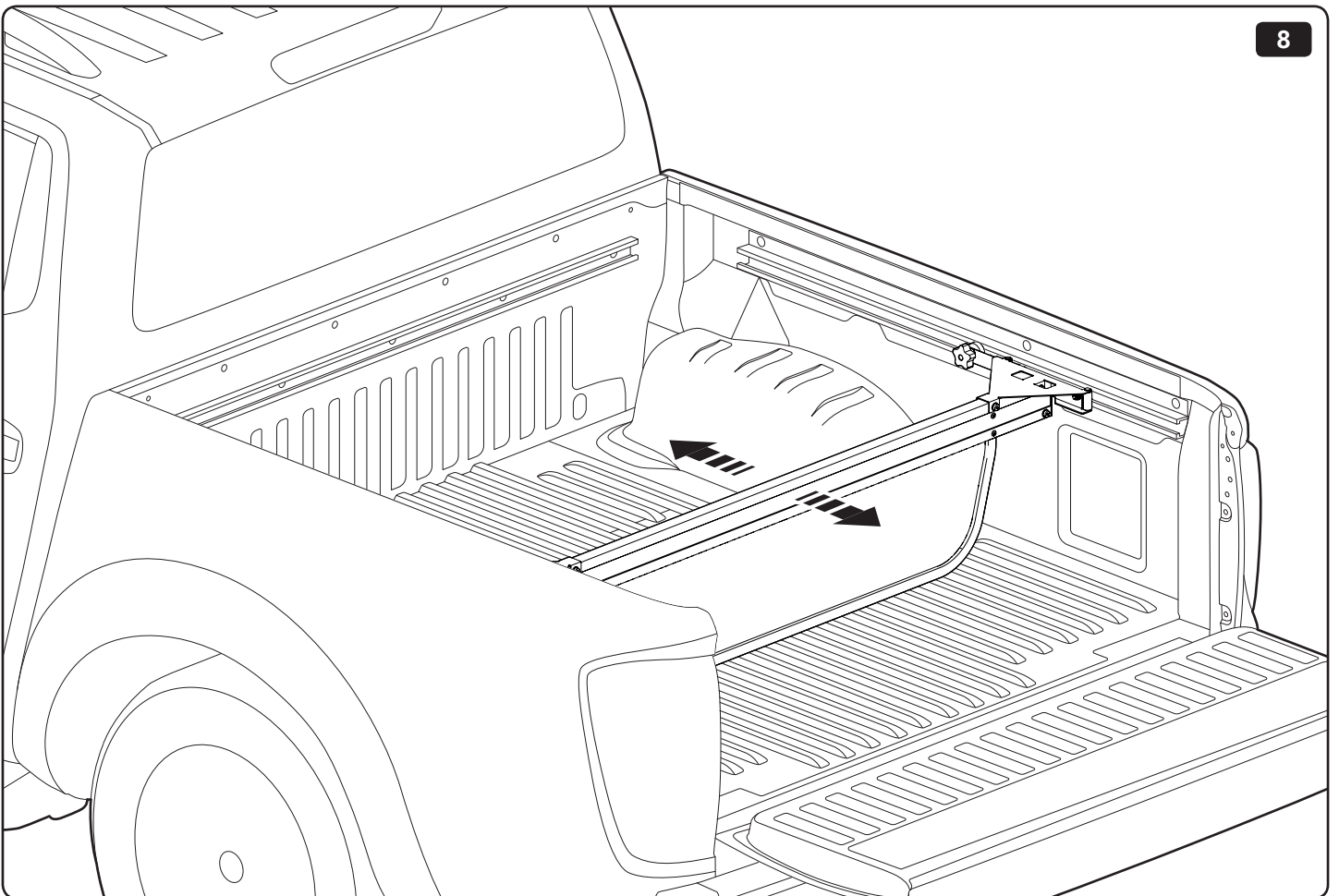


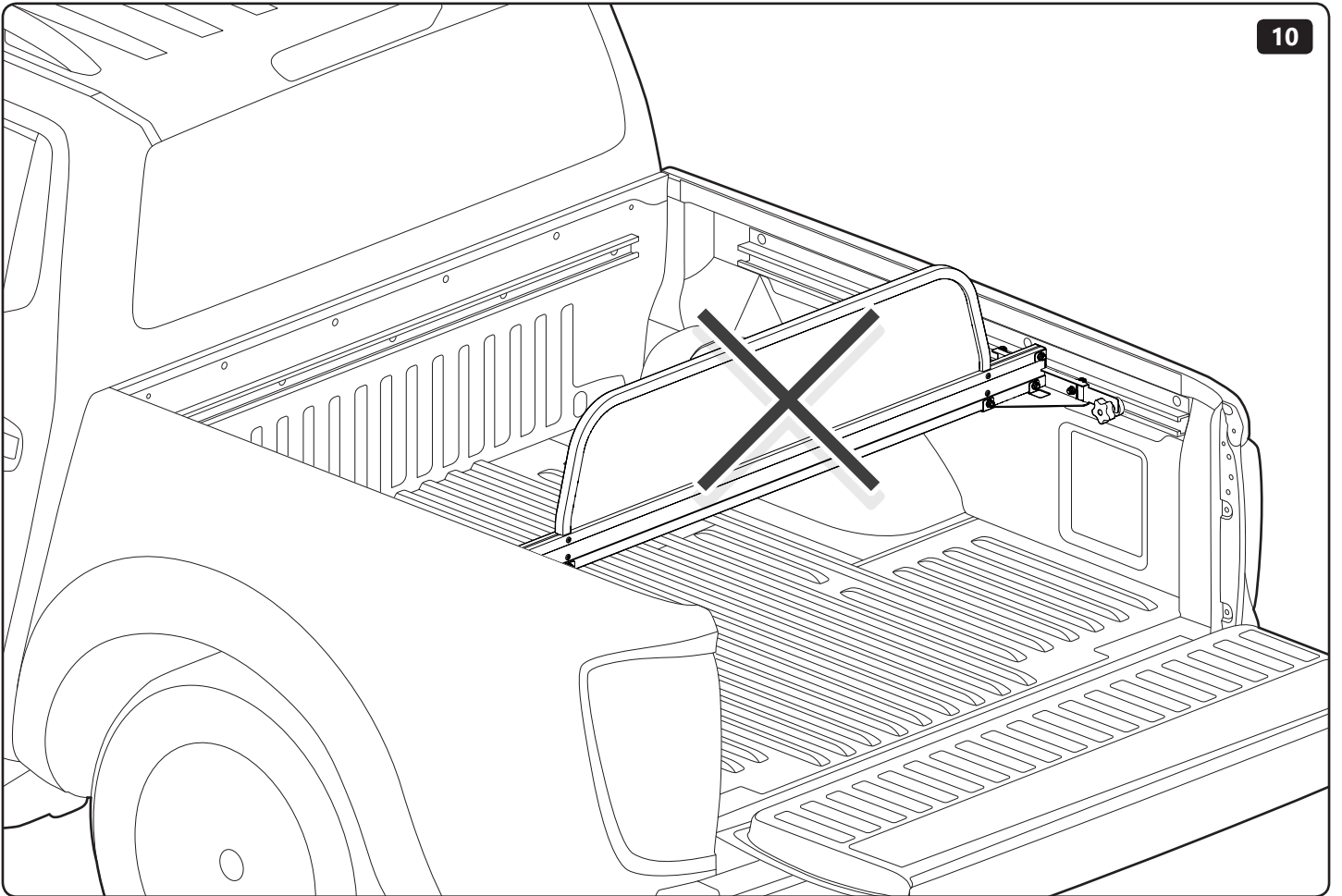
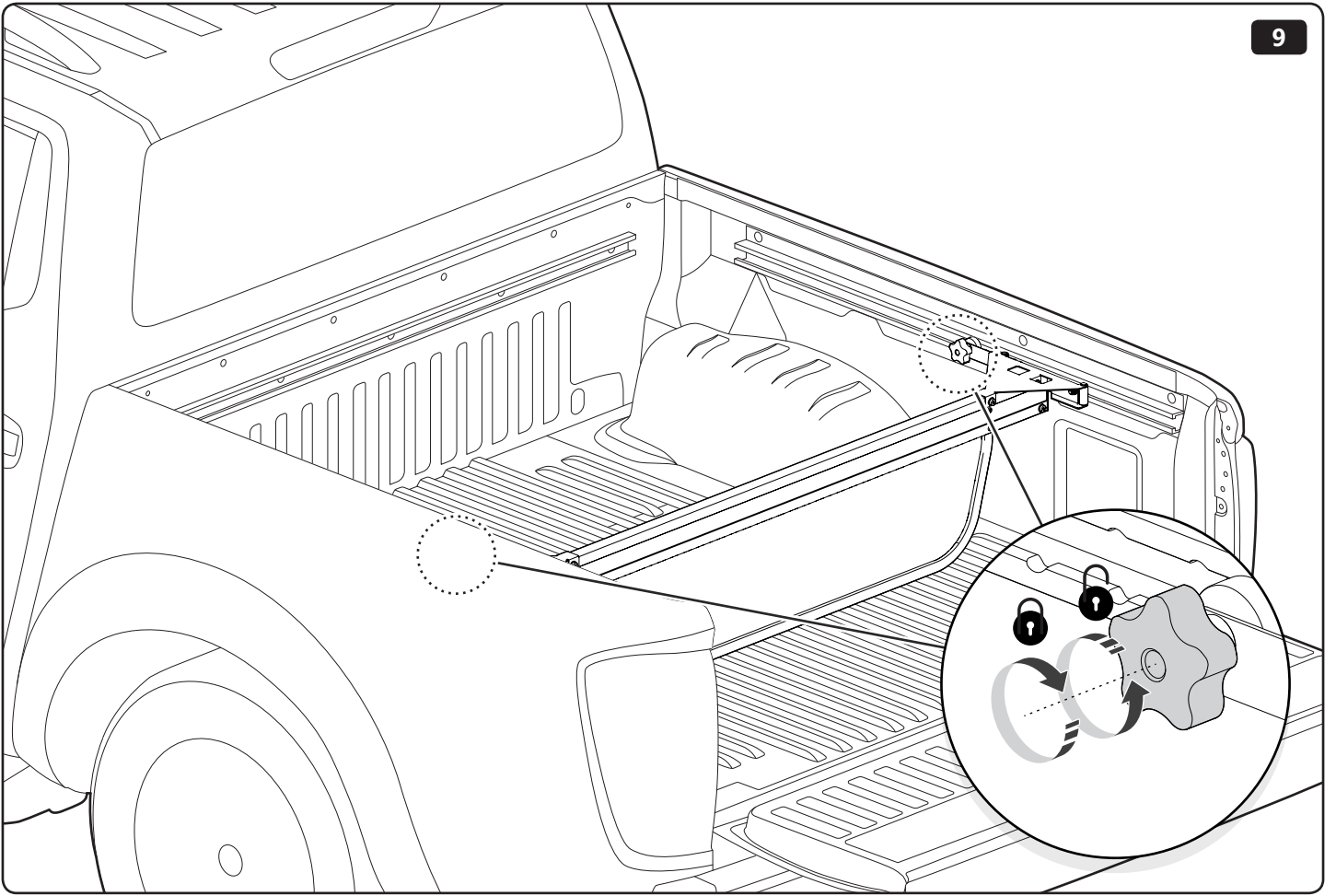


7



8







Customer Service +45 4810 2950 (08:00 - 16:00 CET)
Fax +45 4810 2960
Support info@mountaintop.dk
Website www.mountaintop.dk
Address Pedersholmparken 10, 3660 Frederikssund, Denmark

PART NUMBER(S)	MODEL / YEAR	CAB TYPE(S)	INSTALLATION TIME	WEIGHT
BD NI90/91	Nissan / 2015 →	Double / King Cab	30 Minutes	5 Kg
BD RE90/91	Renault / 2017 →	Double / King Cab	30 Minutes	5 Kg
BD MB90	Mercedes Benz X-Class / 2018 →	Double Cab	30 Minutes	5 Kg

GB Installation manual	S Monteringsanvisning	D Einbauanleitung
SF Asennusohje	E Instrucciones de montaje	CZ Návod k instalaci
F Notice de montage	H Szerelési utasítás	I Istruzioni de montaggio
PL Instrukcja montażu	P Instruções de instalação	GR Οδηγίες Εγκατάστασης
NL Installatie-instructies	RUS Инструкция по установке	DK Monteringsvejledning
TR Montaj Talimatı	N Monteringsveiledning	RO Instructiuni de instalare