

INSTALLATION MANUAL

RIVAL

PRODUCT: CONTROL ARM SKID PLATES
APPLICATION: INEOS GRENADE &
QUARTERMASTER (2023-Present)
PART NO: 2333.4503.1.6



UP-TO-DATE MANUAL



CAUTION!

To reduce the risk of serious injury or damage to property: Before you start installing and using this product, read the full instructions, pay special attention to the conditions of safe use and recommendations for installation! When installing or maintaining this product, it is necessary to use protective goggles. Check the integrity of the structure and the moment the fastening is tightened every 250 miles (400 kms) of mileage. Do not use this product if there is damage to the structure or fasteners!

NOTICE

Skid plate is an additional protection, but it can not guarantee to protect against all possible damage in collisions. When driving, be careful of objects and terrain that may damage sensitive parts of the vehicle.

CONTROL ARM SKID PLATES

RIVAL

Part number: 2333.4503.1.6

Suited to vehicle: Ineos Grenadier 3.0, 3.0D; AT; 4WD (2023-Present)
Ineos Grenadier Quartermaster 3.0, 3.0D; AT; 4WD (2023-Present)

Material: Aluminum



SAFETY NOTICE

- * The RIVAL skid plate is designed to complement the use and design of the specified vehicle under conditions specified by the vehicle manufacturer.
- * While driving the vehicle at any speed, collision with any other vehicle, animal or object must always be avoided.
- * Following any collision with any other vehicle, animal or object, the RIVAL skid plate and the vehicle must be inspected by a specialized or suitably qualified vehicle repairer for possible damage to the components and assemblies in order to confirm suitability for further use of the vehicle.
- * It is strongly recommended that you do not operate a vehicle with a damaged skid plate or its components. In the case of damage, please contact the nearest RIVAL dealer. Vehicle, or where the skid plate has been damaged, is extremely dangerous and must be avoided at all cost.

INSTALLATION NOTICE

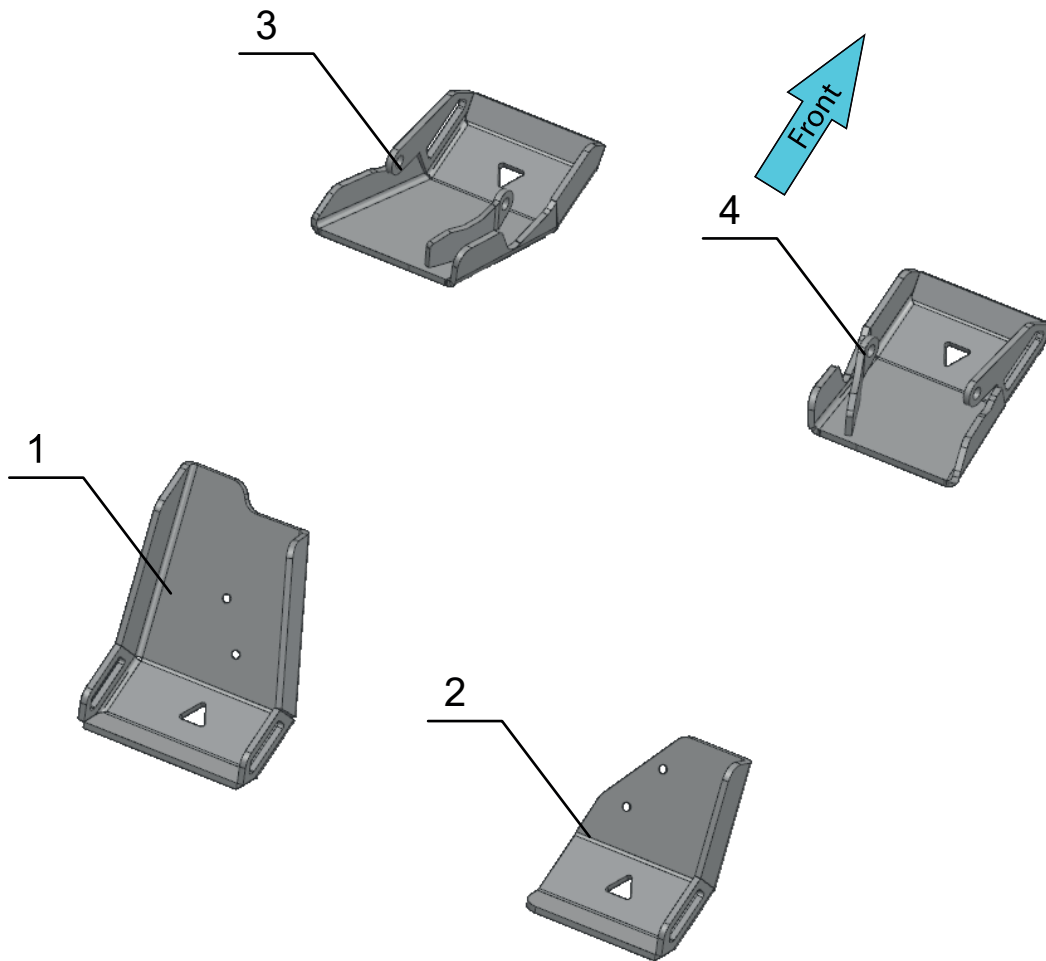
- * The RIVAL skid plate must be mounted and affixed to the vehicle according to this installation manual.
- * Personal safety during the installation process must be adhered to at all times.
- * Do not install this skid plate on vehicle models other than those allowed in this manual.
- * Estimated time for installation: 1 hour.

REQUIRED TOOLS

- * Basic tool kit
- * Torque wrench

TORQUE SETTING

- * M6 - 9 N·m (6.6 lb/ft)
- * M10 - 30 N·m (22.1 lb/ft)



- 1. Rear control arm skid plate (left).....Qty 1
- 2. Rear control arm skid plate (right).....Qty 1
- 3. Front control arm skid plate (left).....Qty 1
- 4. Front control arm skid plate (right).....Qty 1



A. Bolt M10x1.5x140.....	Qty 2
B. Washer M10.....	Qty 4
C. Nut M10x1.5.....	Qty 2
D. Countersunk bolt M6x1x20.....	Qty 4

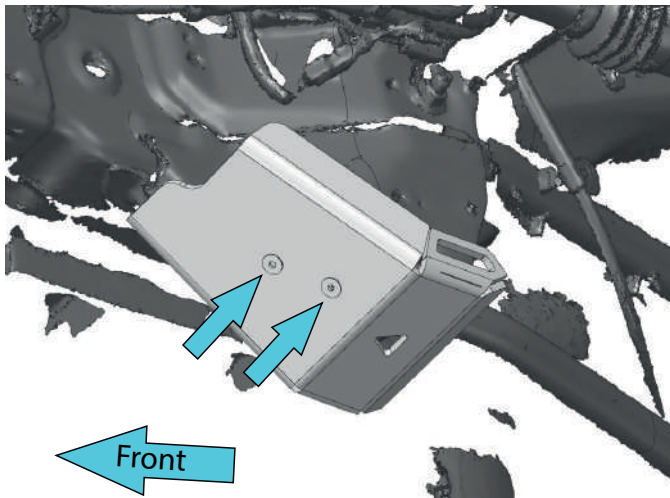


Fig. 1

1. Install the rear control arm skid plate (left) (item 1) to the factory mounting points using M6 x20 countersunk bolts (item D) (Fig.1).
***Torque hardware.**

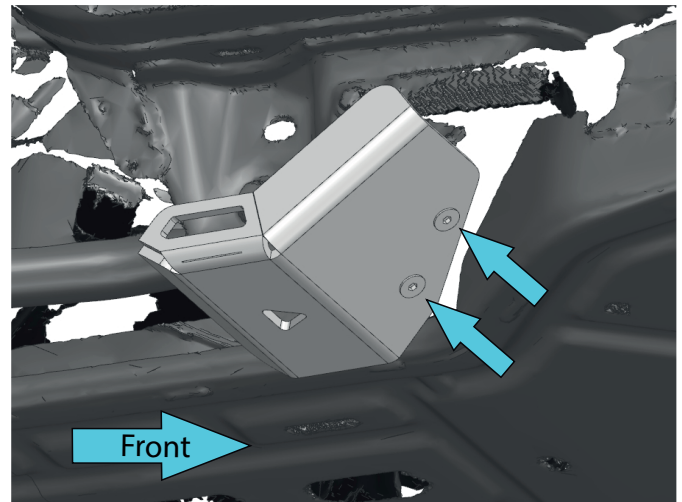


Fig. 2

2. Install the rear control arm skid plate (right) (item 2) to the factory mounting points using M6 x20 countersunk bolts (item D) (Fig. 2).
***Torque hardware.**

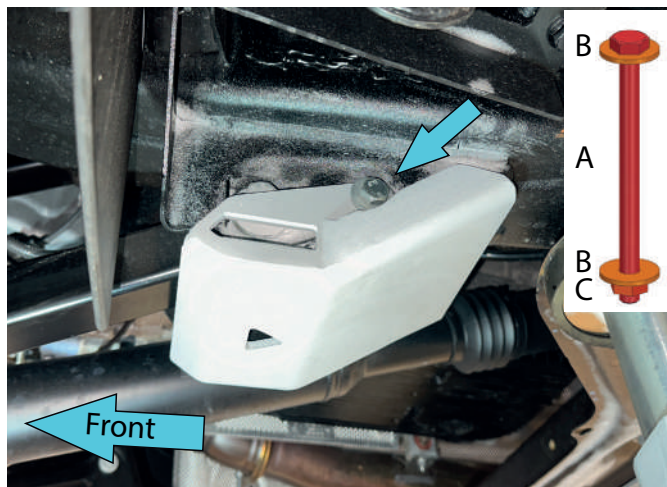


Fig. 3

3. Install the front control arm skid plates (items 3&4) using M10x140 bolts, M10 washers and M10 nuts (items A,B,C) (Fig. 3).

*If you are installing with the RIVAL engine skid plate, unbolt the crossmember and remove the spacer from step 3 of the RIVAL engine skid plate installation manual. Install the front control arm skid plates (items 3&4) between the skid plate crossmember and frame using M10x140 bolts, M10 washers, and M10 nuts (items A,B,C) (Fig. 4).

***Torque all hardware.**

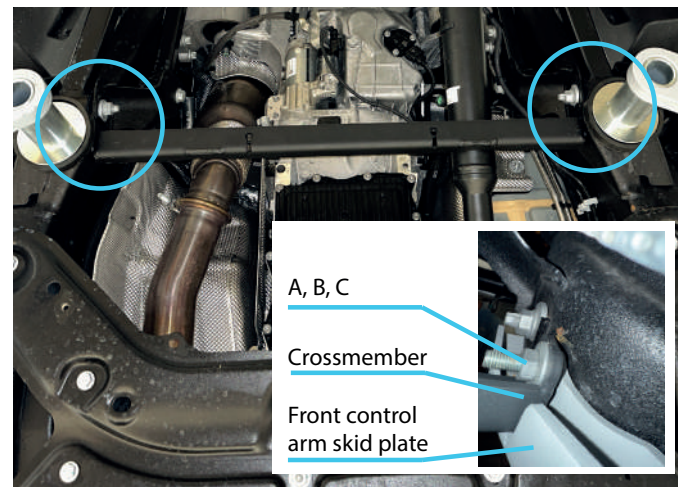


Fig. 4

Before operating a vehicle fitted with RIVAL Skid Plate:

- make sure all fittings are tightened;
- ensure the integrity of the structure and its components.

